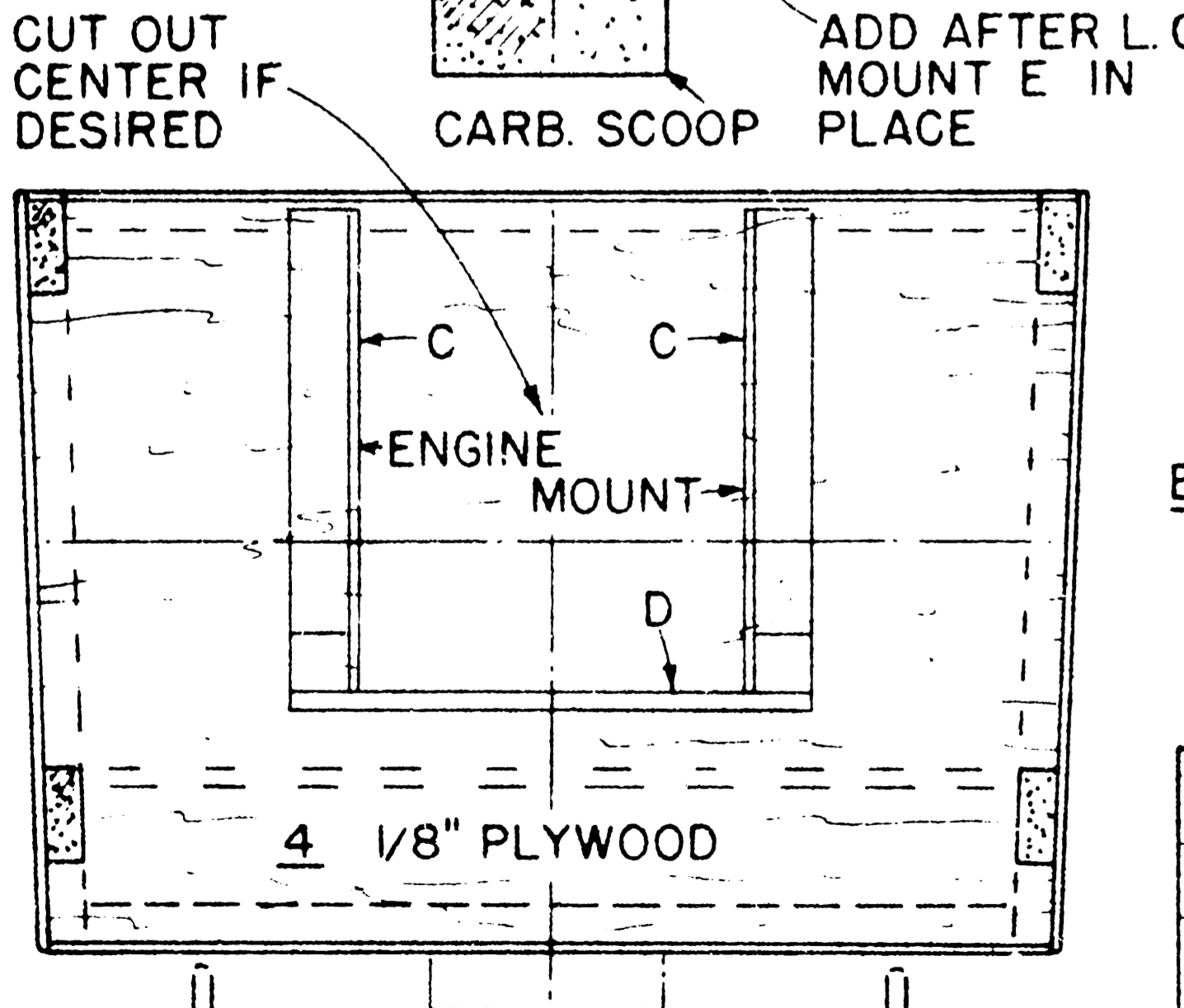
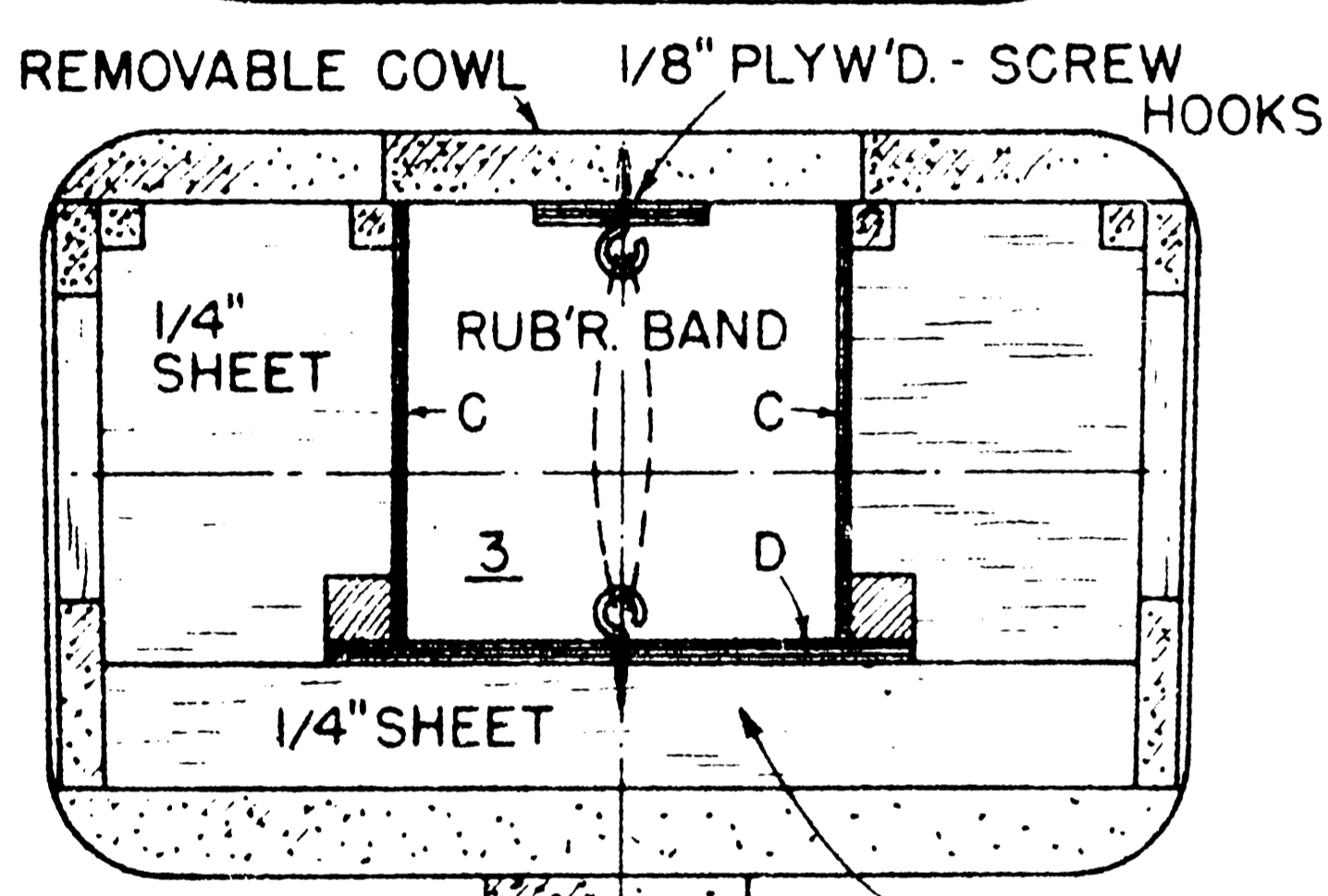
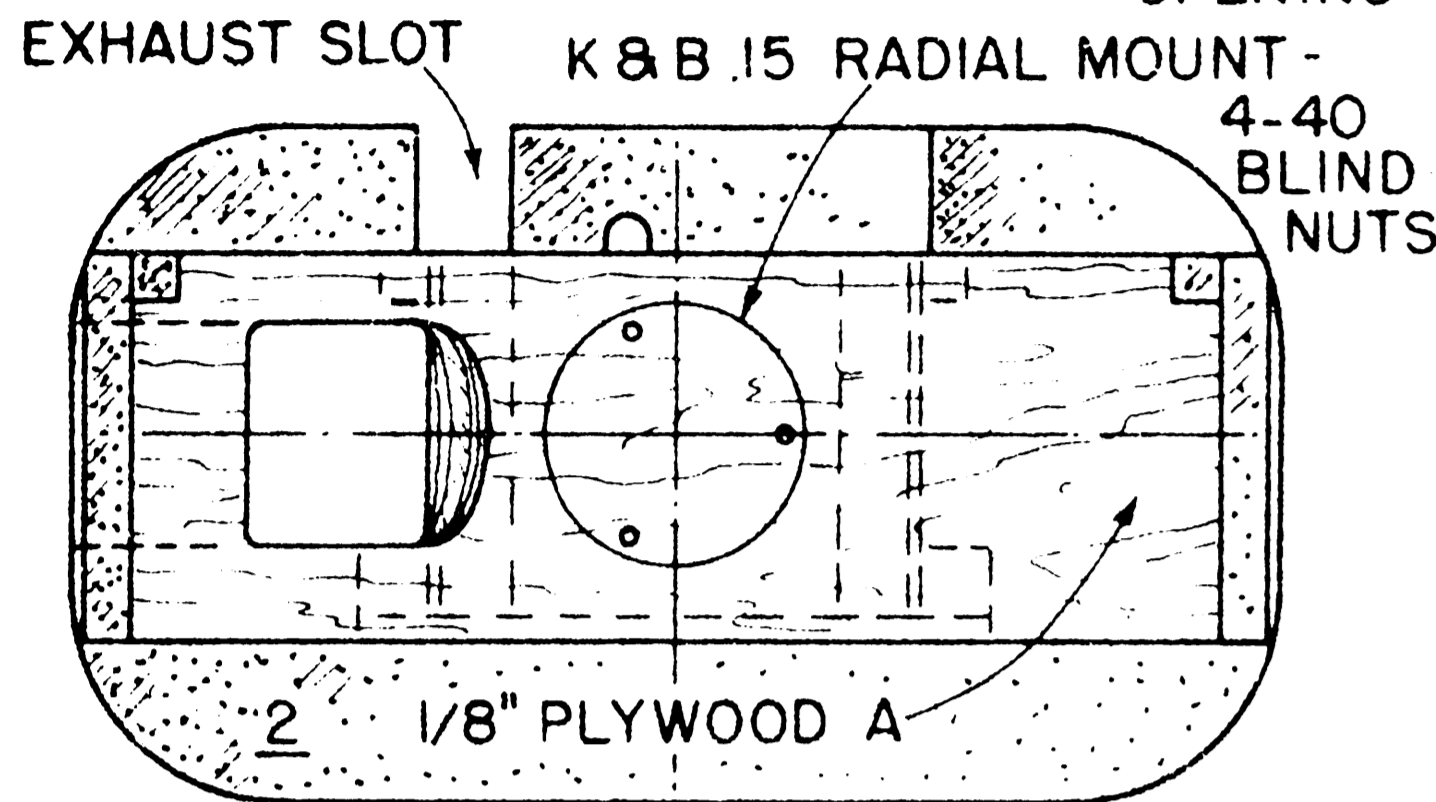
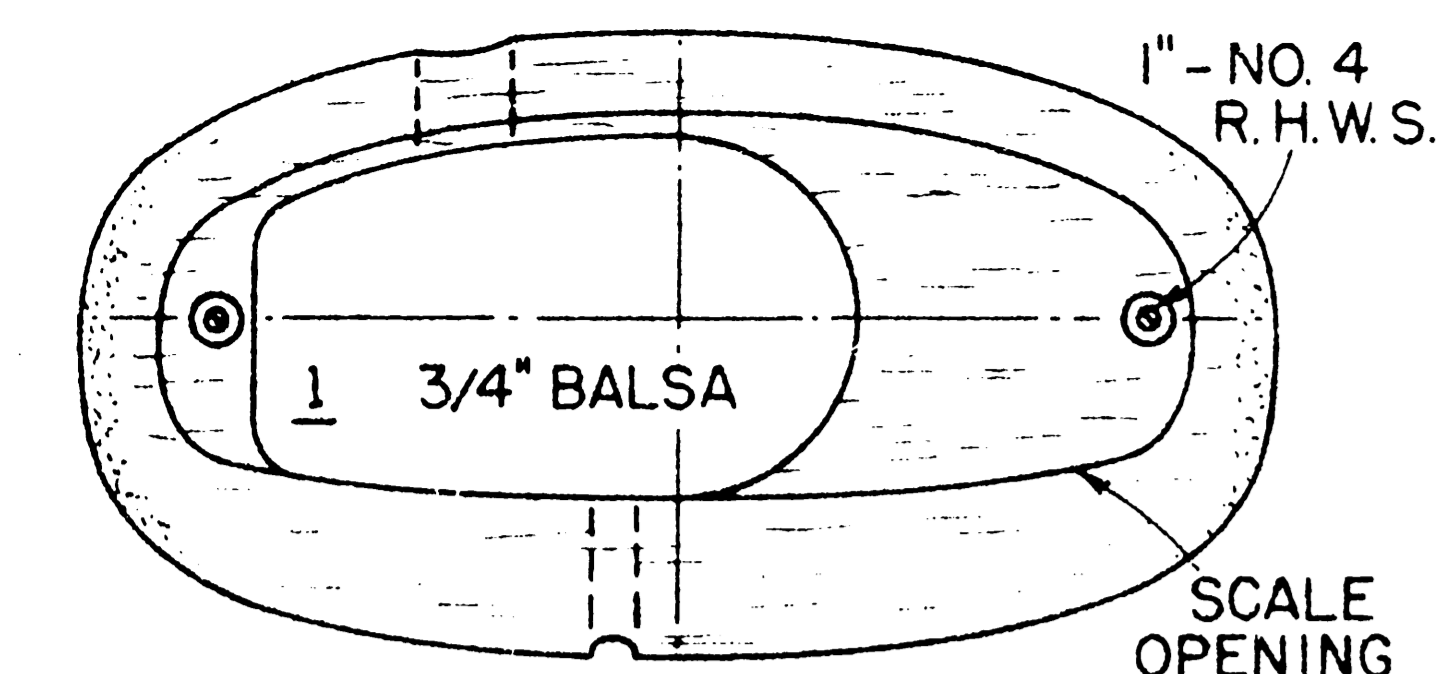


**STEVE WITTMAN'S  
W-9L TAILWIND\***

SPAN 45 IN. L.O.A. 44 IN.  
 WING AREA 397.5 SQ. IN. WEIGHT 48 OZ. +  
 .15 ENGINES WITH RUDDER ONLY R/C  
 .19 ENGINES WITH MULTI R/C - WILD!  
 SCALE 2-1/4 IN. = 1 FT. OR 3/16 IN. = 1 IN.  
 DESIGNED, BUILT & DRAWN BY CAL SMITH





SECTIONS AT FUSELAGE STATIONS ALL FRONT VIEWS  
W-9L TAILWIND

