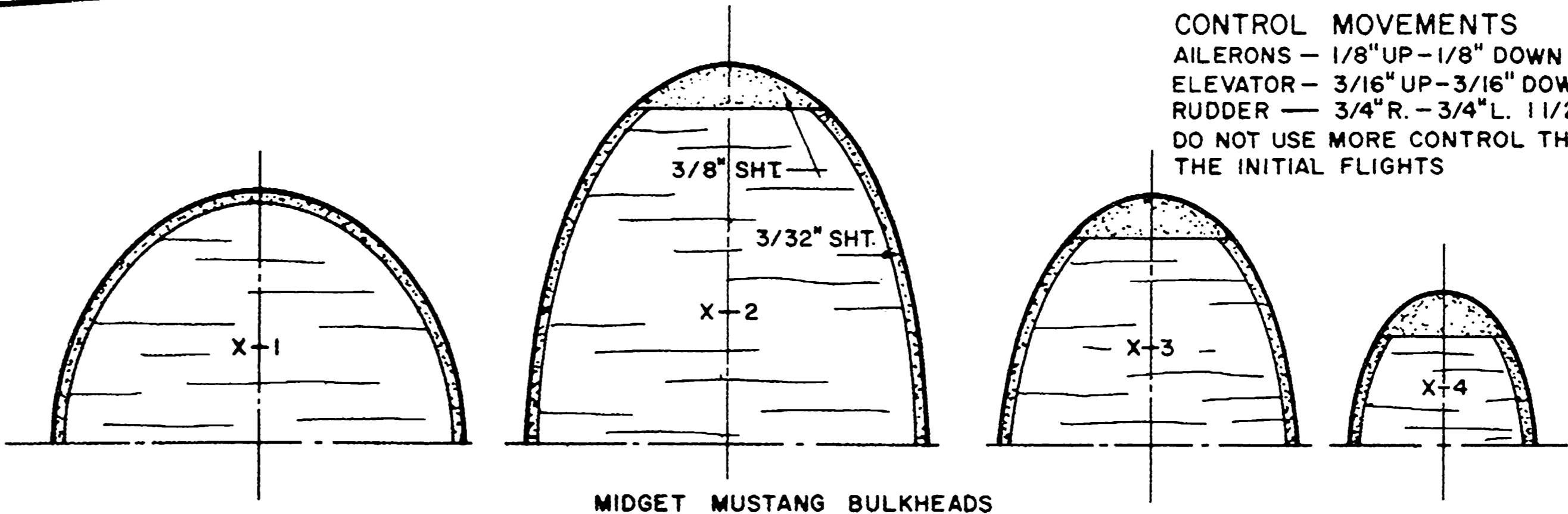
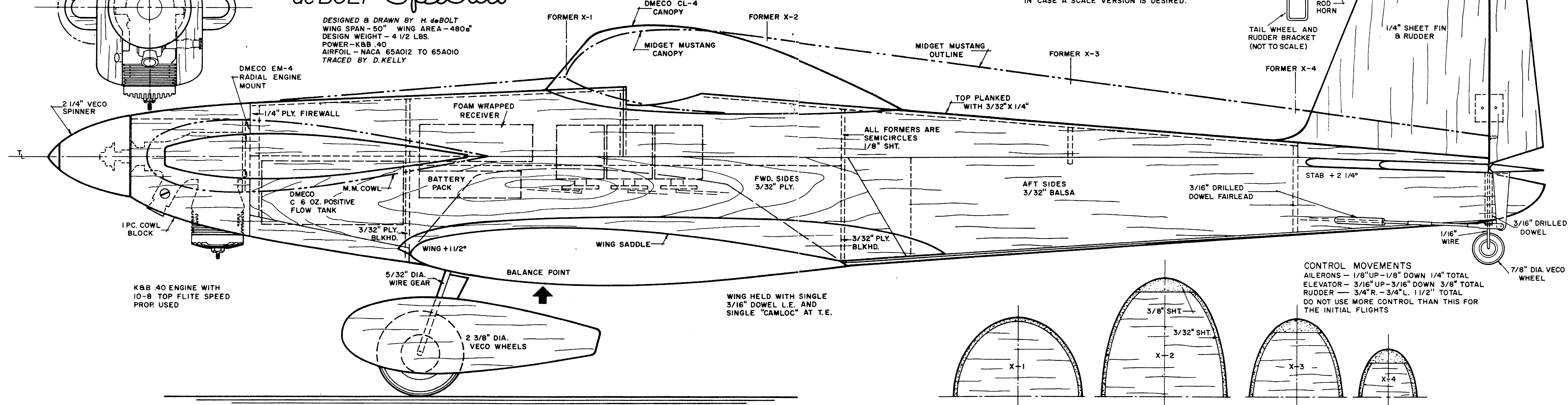
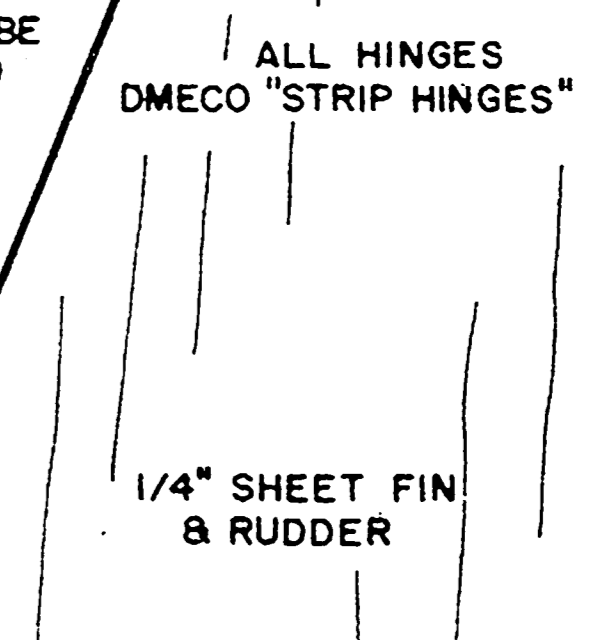
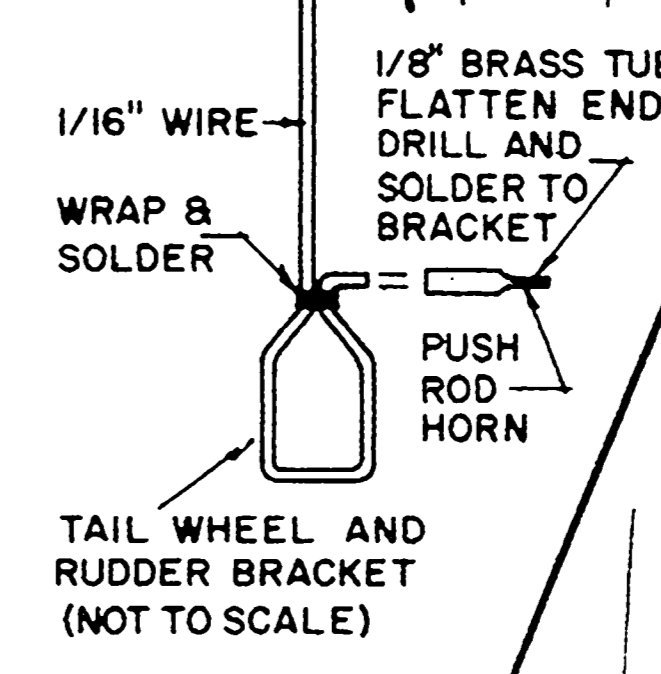


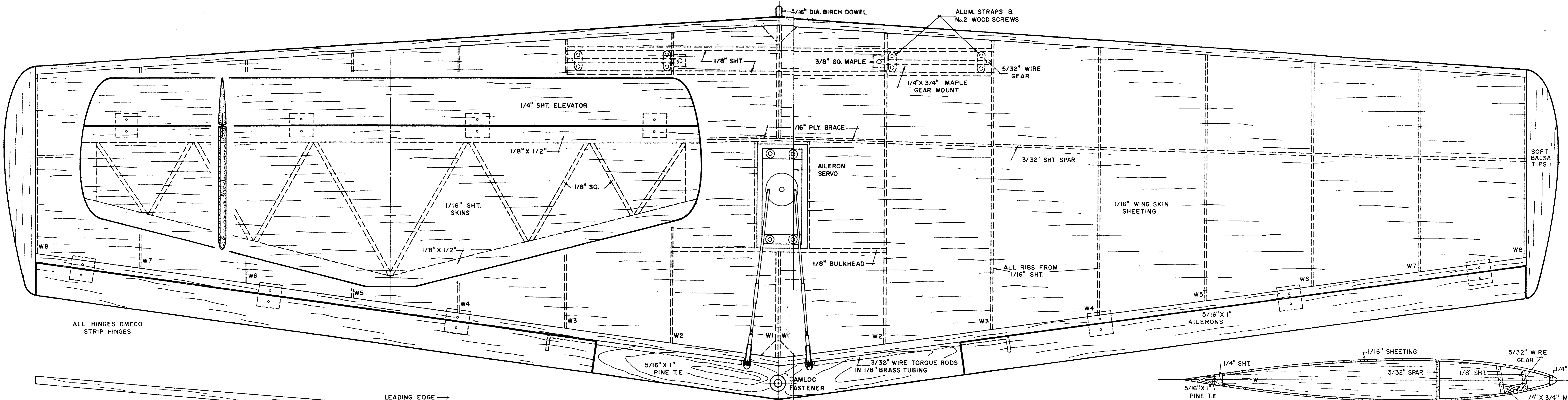
# deBOLT "Special"

DESIGNED & DRAWN BY H. deBOLT  
WING SPAN - 50" WING AREA - 480 sq"  
DESIGN WEIGHT - 4 1/2 LBS.  
POWER - K&B .40  
AIRFOIL - NACA 65A012 TO 65A010  
TRACED BY D. KELLY

NOTE - THIS "SPECIAL" IS BASICALLY A SCALE "LONG MIDGET MUSTANG" WITH THE FUSELAGE TURTLE DECK ALTERED TO A CANOPY TYPE. THE OUTLINE OF THE SCALE TURTLE DECK IS SHOWN ALONG WITH THE NECESSARY BULKHEADS IN CASE A SCALE VERSION IS DESIRED.

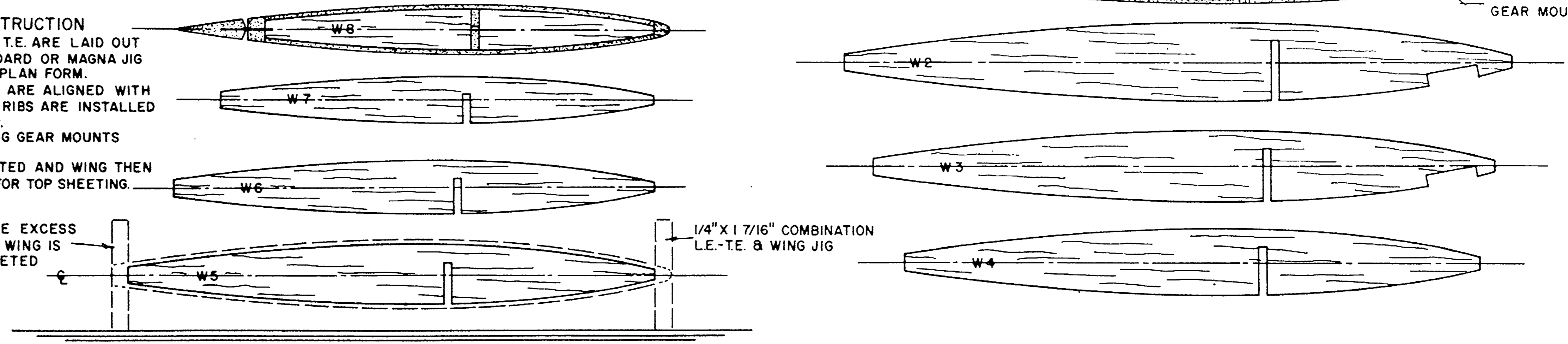


CONTROL MOVEMENTS  
AILERONS - 1/8" UP - 1/8" DOWN 1/4" TOTAL  
ELEVATOR - 3/16" UP - 3/16" DOWN 3/8" TOTAL  
RUDDER - 3/4" R. - 3/4" L. 1 1/2" TOTAL  
DO NOT USE MORE CONTROL THAN THIS FOR THE INITIAL FLIGHTS



WING CONSTRUCTION  
OVERSIZE L.E. & T.E. ARE LAID OUT ON DIHEDRAL BOARD OR MAGNA JIG TO MATCH WING PLAN FORM.  
C OF WING RIBS ARE ALIGNED WITH C OF L.E. & T.E. RIBS ARE INSTALLED BOTTOM SIDE UP.  
SPARS & LANDING GEAR MOUNTS ARE ADDED.  
BOTTOM IS SHEETED AND WING THEN FLIPPED OVER FOR TOP SHEETING.

REMOVE EXCESS AFTER WING IS COMPLETED



# deBOLT "Special"