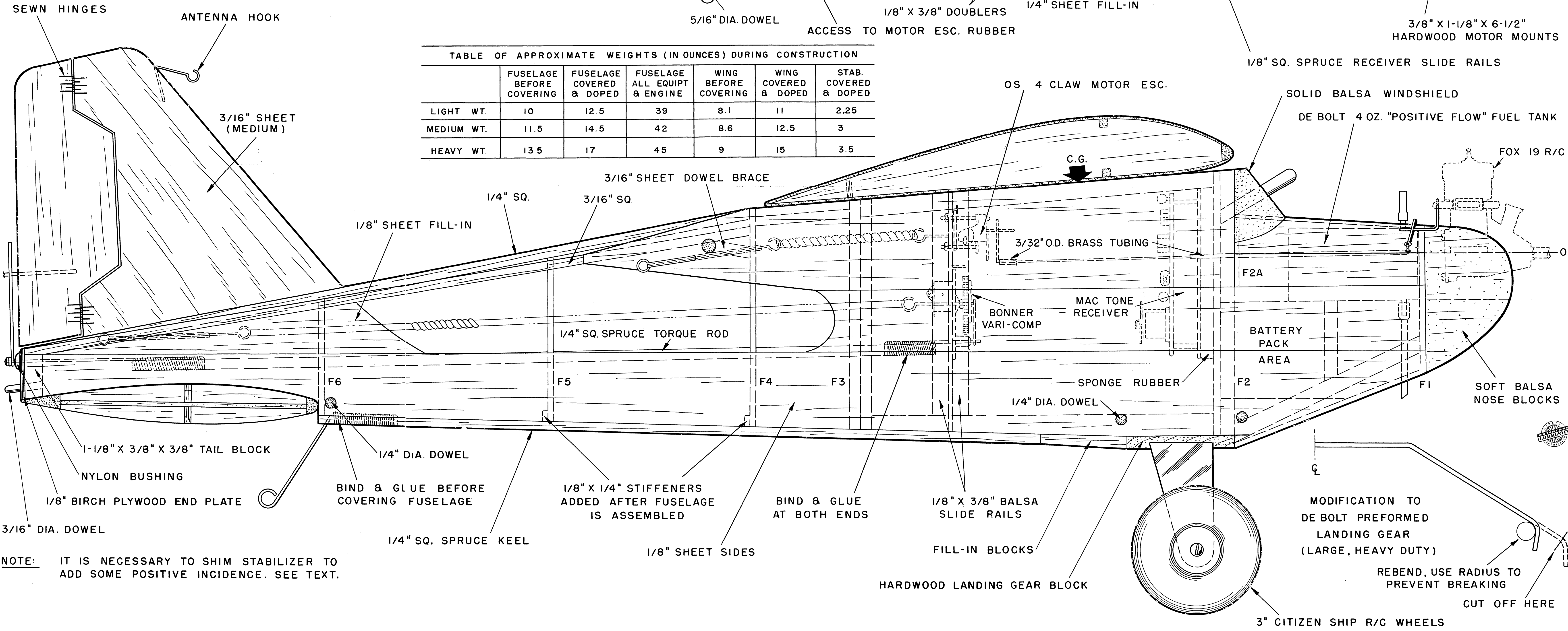


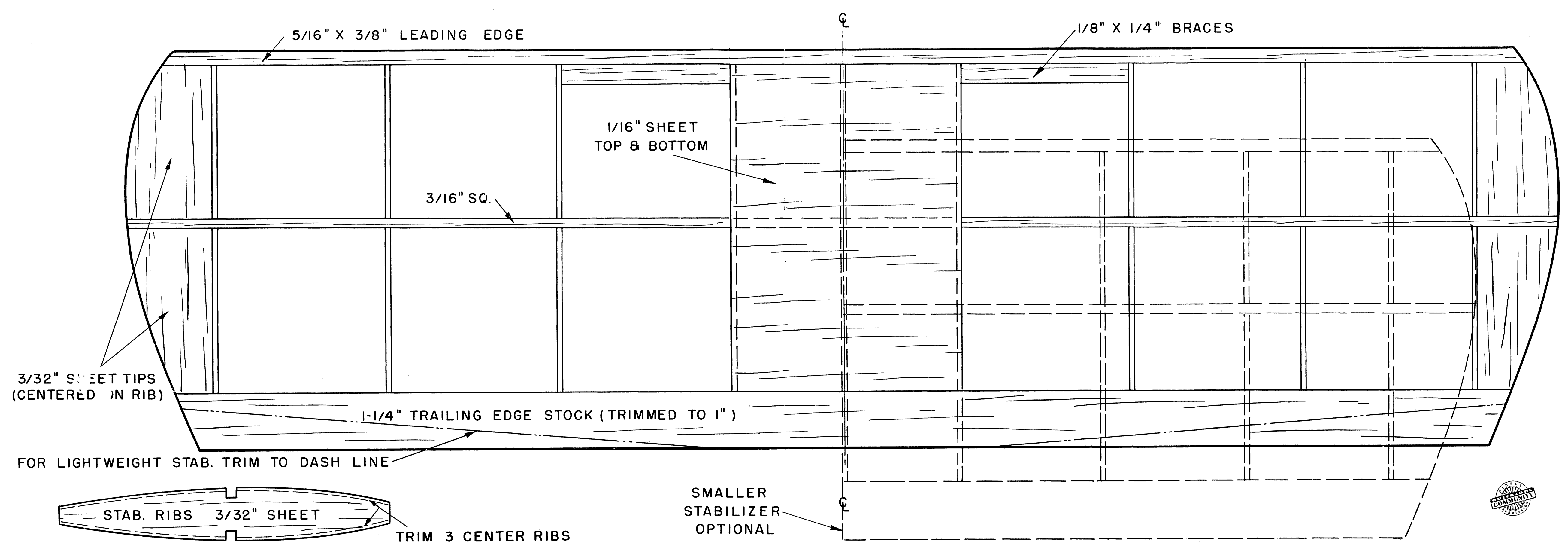
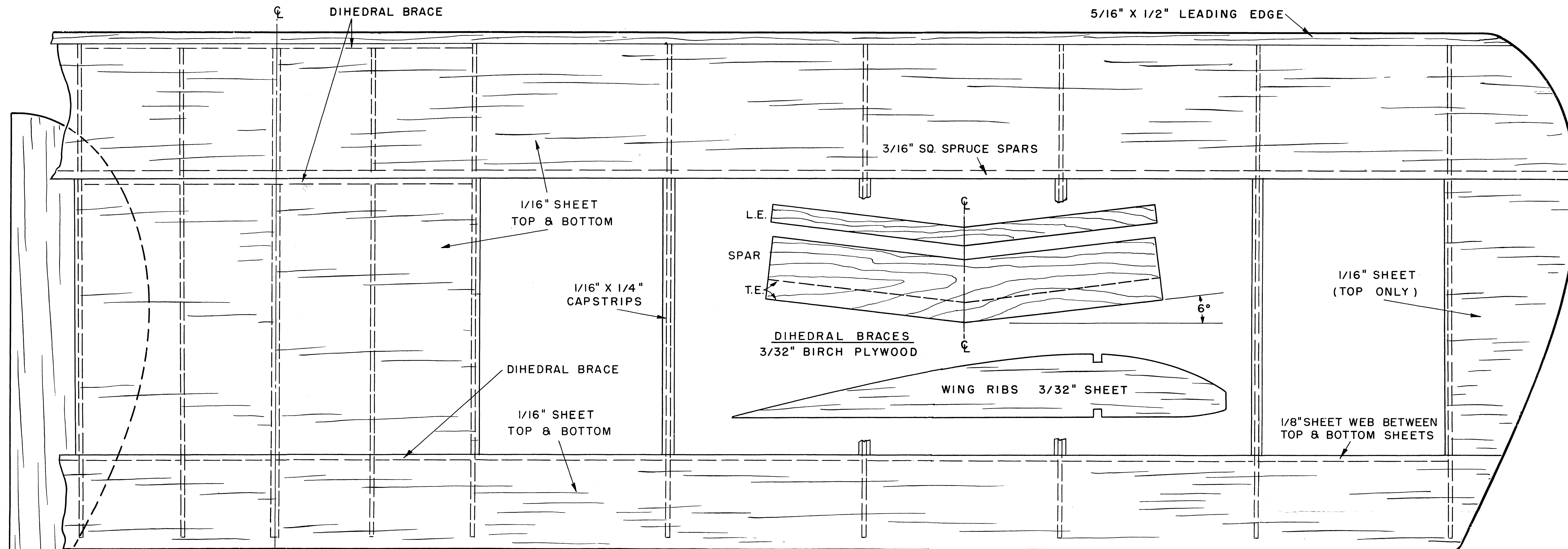
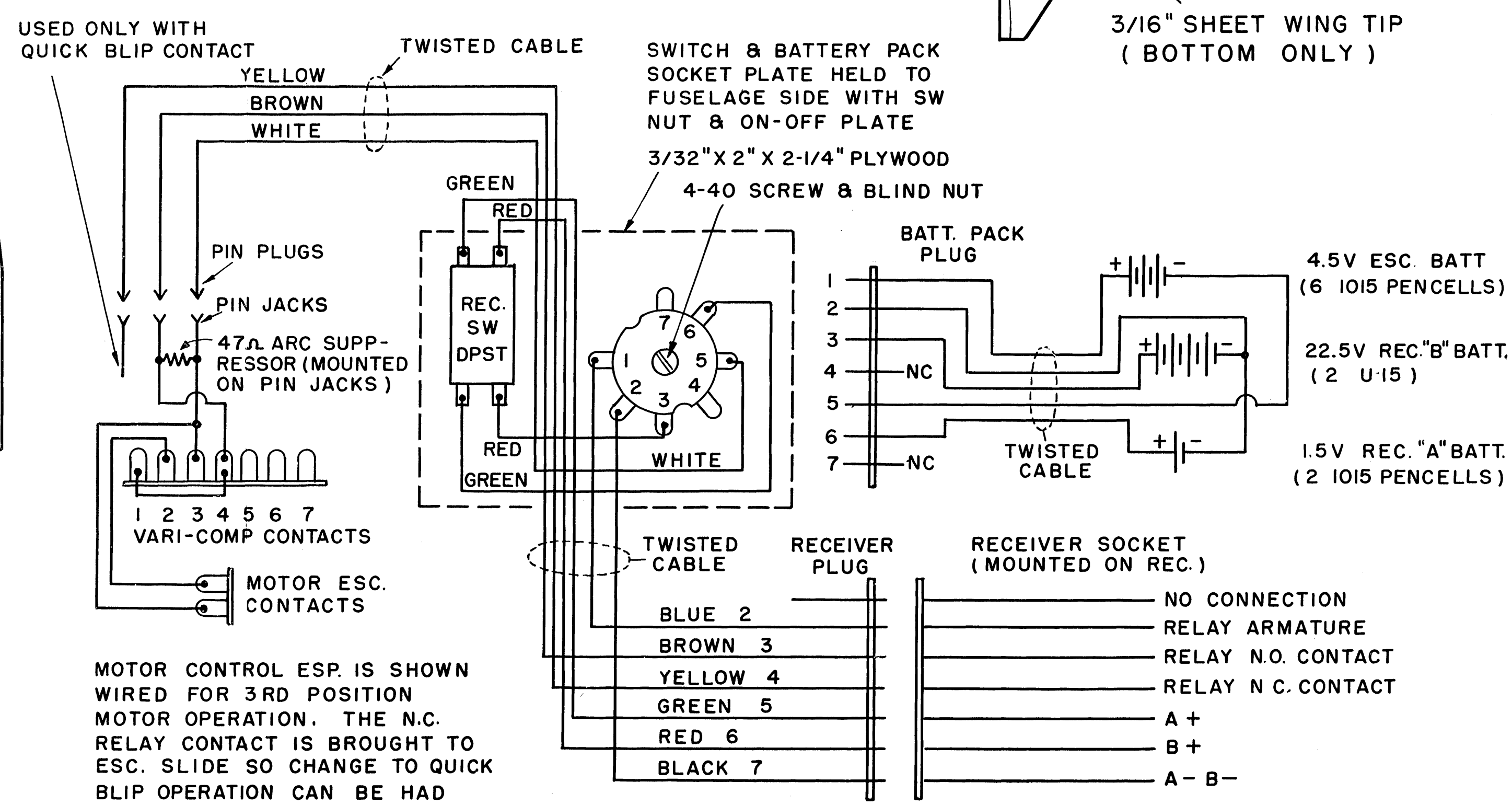
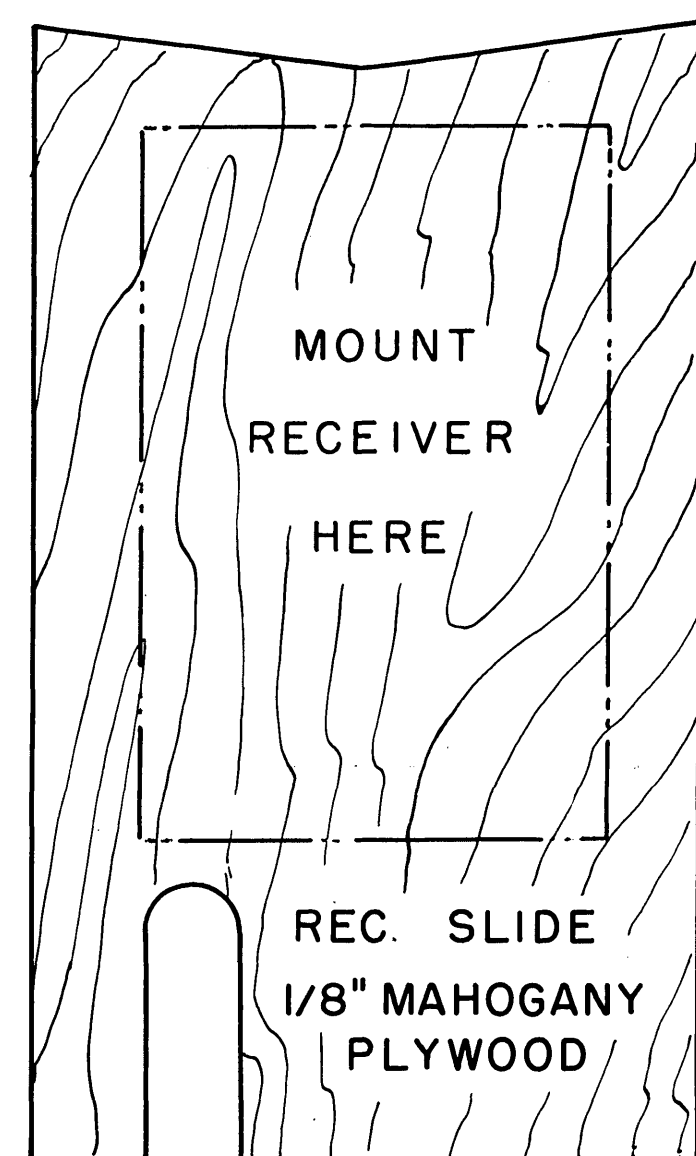
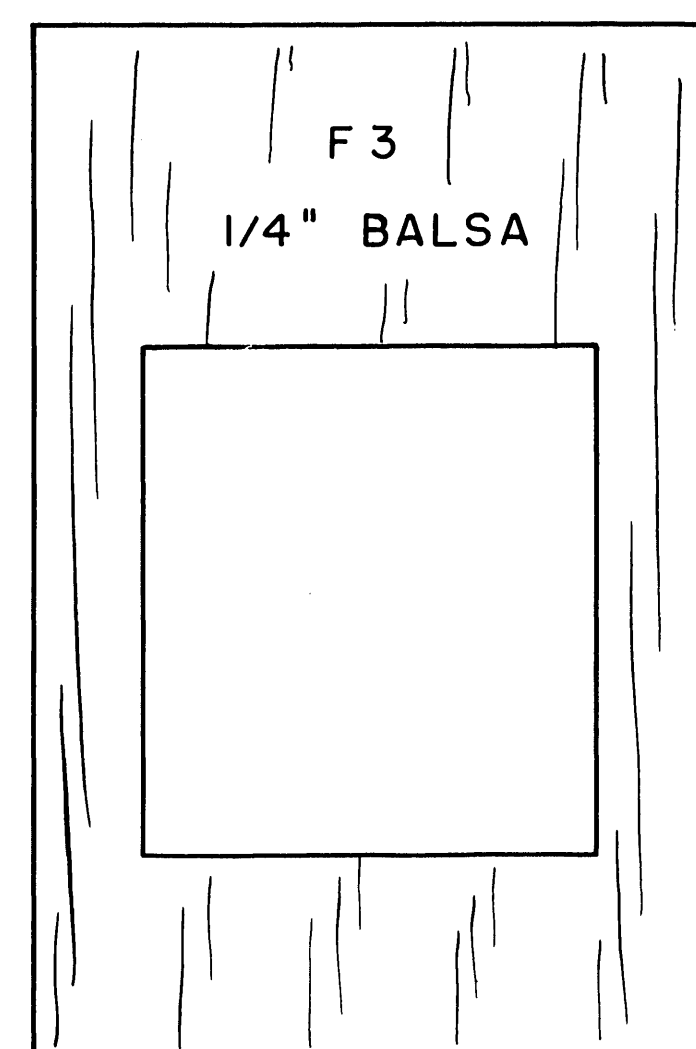
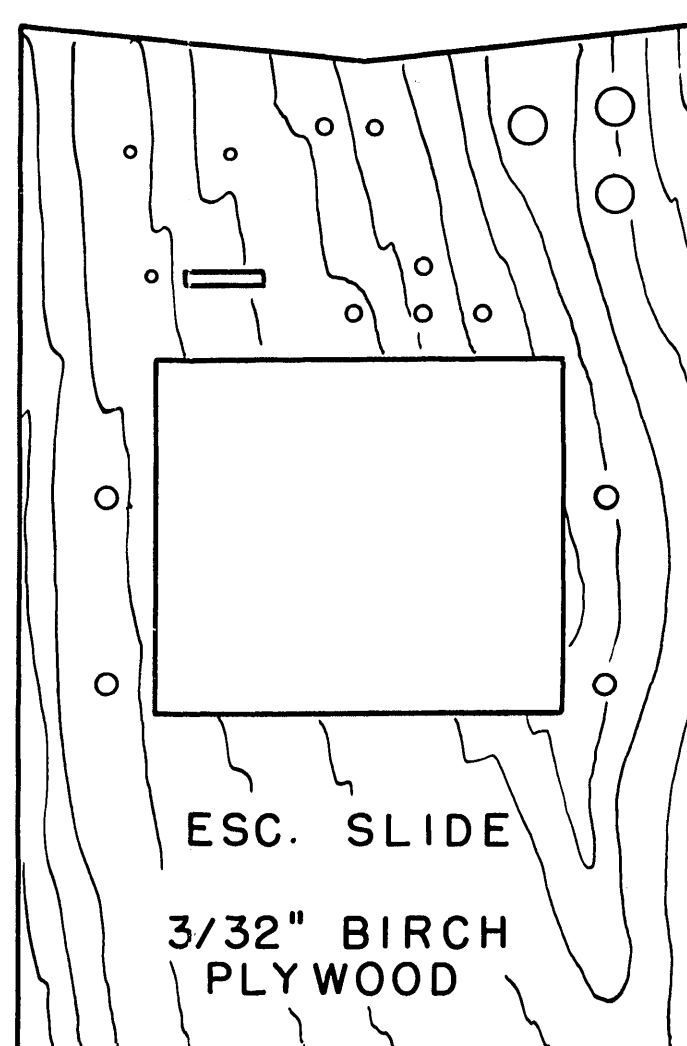
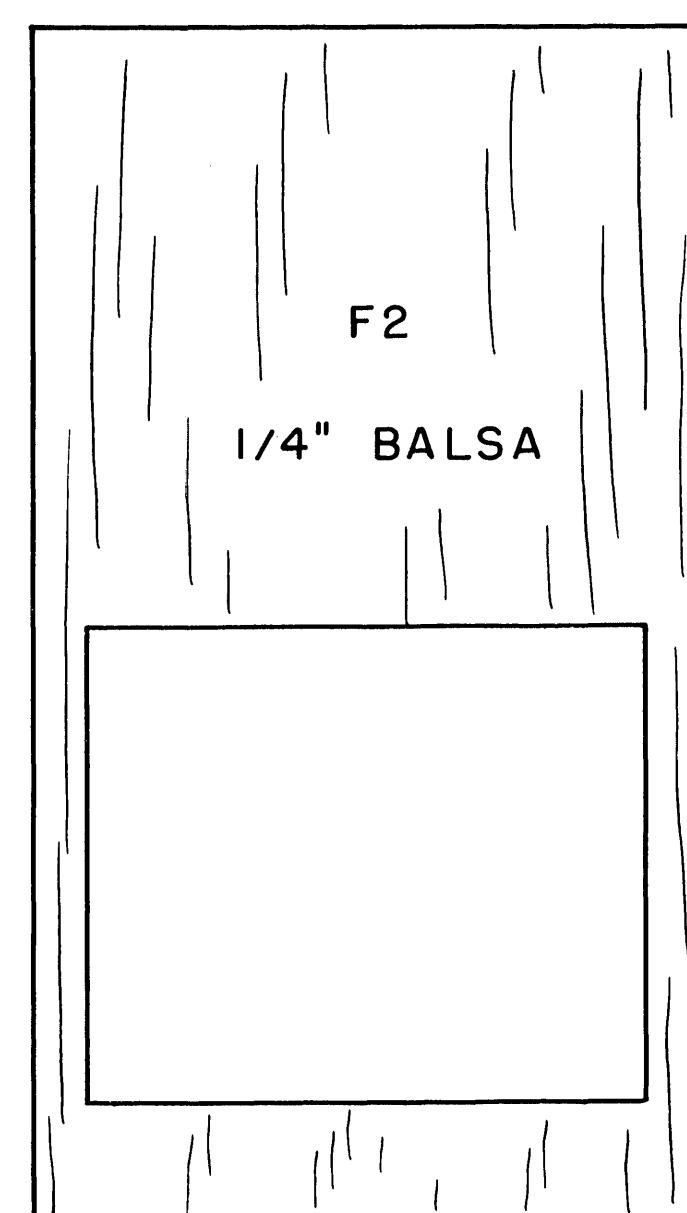
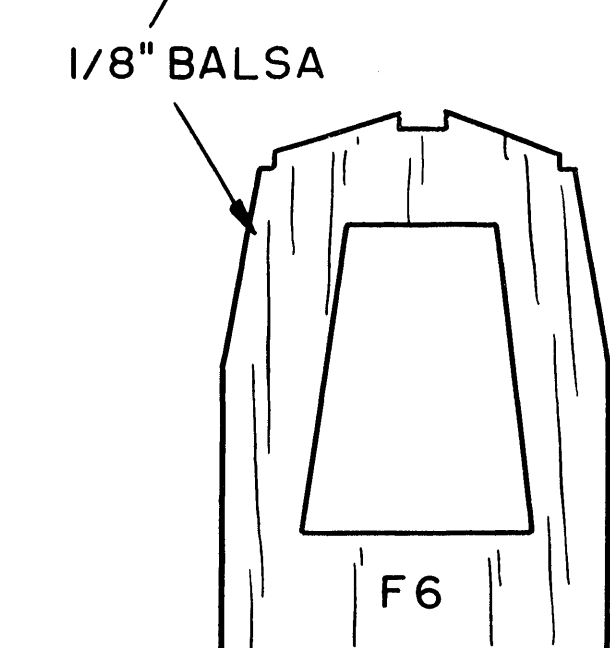
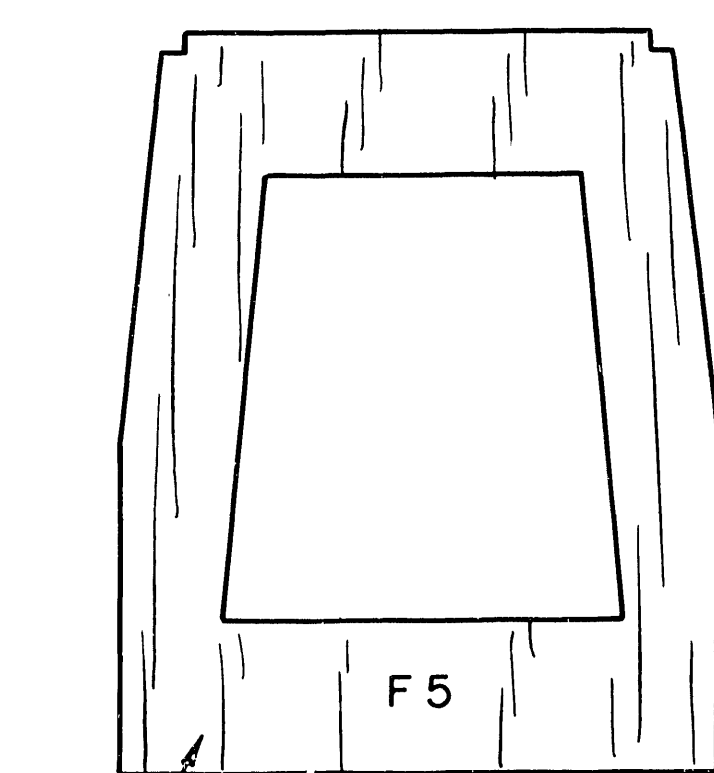
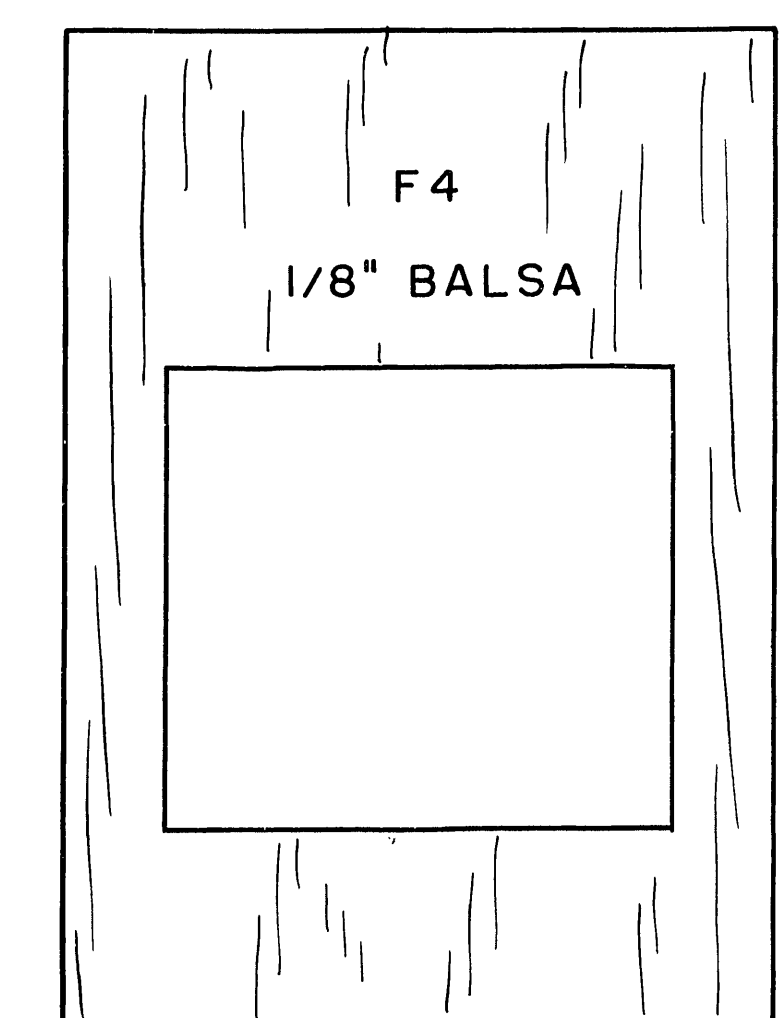
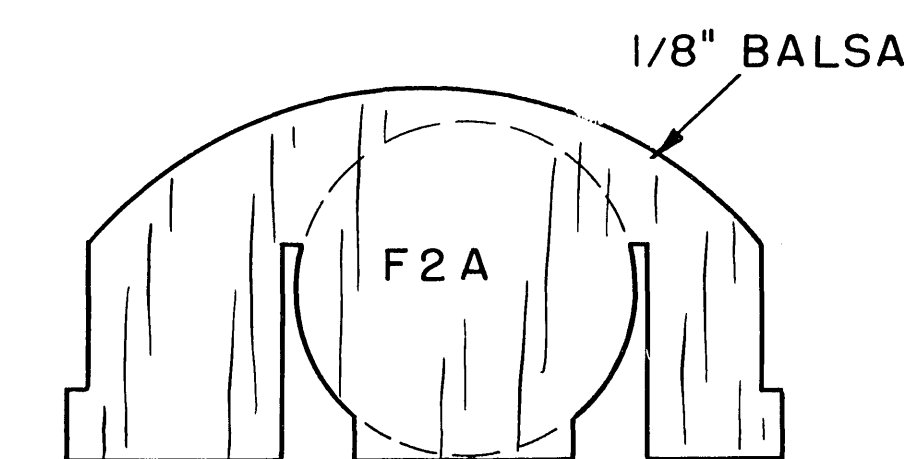
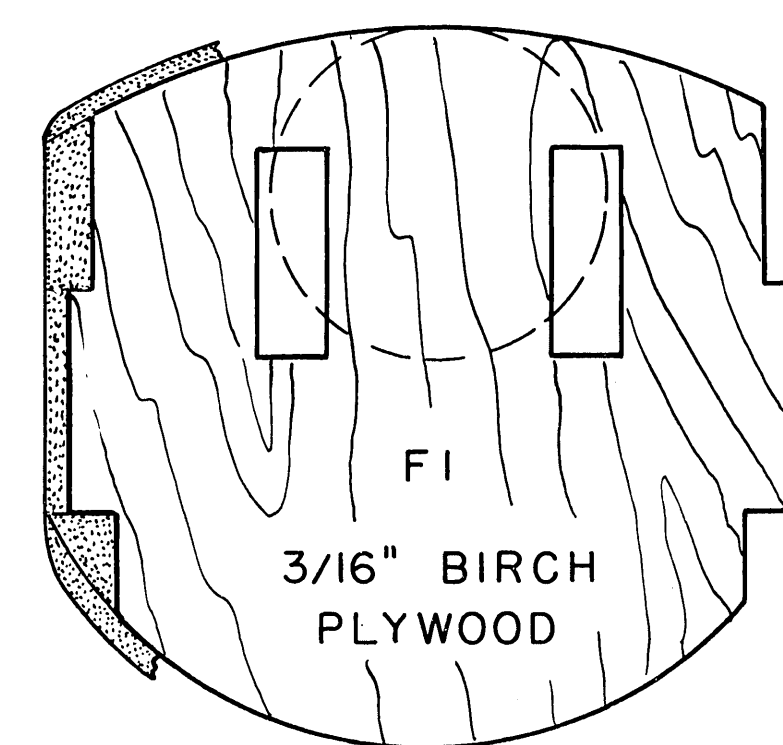
TABLE OF APPROXIMATE WEIGHTS (IN OUNCES) DURING CONSTRUCTION

	FUSELAGE BEFORE COVERING	FUSELAGE COVERED & DOPED	FUSELAGE ALL EQUIPT & ENGINE	WING BEFORE COVERING	WING COVERED & DOPED	STAB. COVERED & DOPED
LIGHT WT.	10	12.5	39	8.1	11	2.25
MEDIUM WT.	11.5	14.5	42	8.6	12.5	3
HEAVY WT.	13.5	17	45	9	15	3.5



NOTE: IT IS NECESSARY TO SHIM STABILIZER TO ADD SOME POSITIVE INCIDENCE. SEE TEXT.

CUT MOTOR MOUNTS BACK OF FIREWALL TO ACCEPT FUEL TANK



HOBBY HELPERS
1543 Stillwell Avenue
New York 61, N. Y.

GROUP 862
PRINTED MATTER

