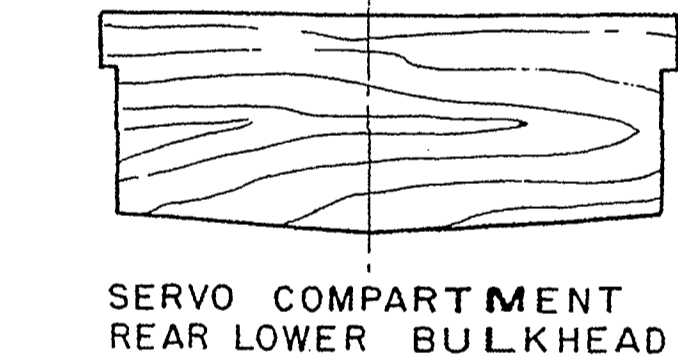


JOINT WINNER AND  
WORLD CHAMP  
**PERIGEE**  
By TOM H. BRETT

RUDDER HINGE —  
3/32" O.D. ALUMINUM  
TUBING SEGMENTS  
ALTERNATELY POLY-  
ESTERED TO FIN &  
RUDDER AS SHOWN.  
HINGE PIN .025 MUSIC  
WIRE  
ELEVATOR HINGE IS  
SIMILARLY EFFECTED.



CUT OUT FOR 15 PIN  
CANNON RECEPTACLE

RECEIVER  
COMPARTMENT  
REAR  
BULKHEAD

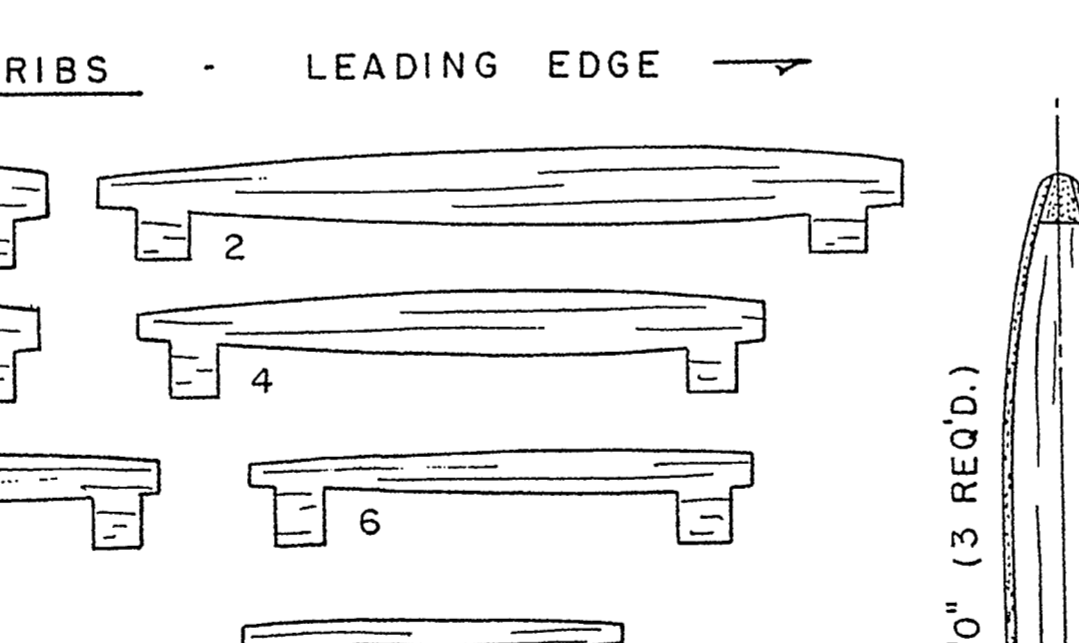
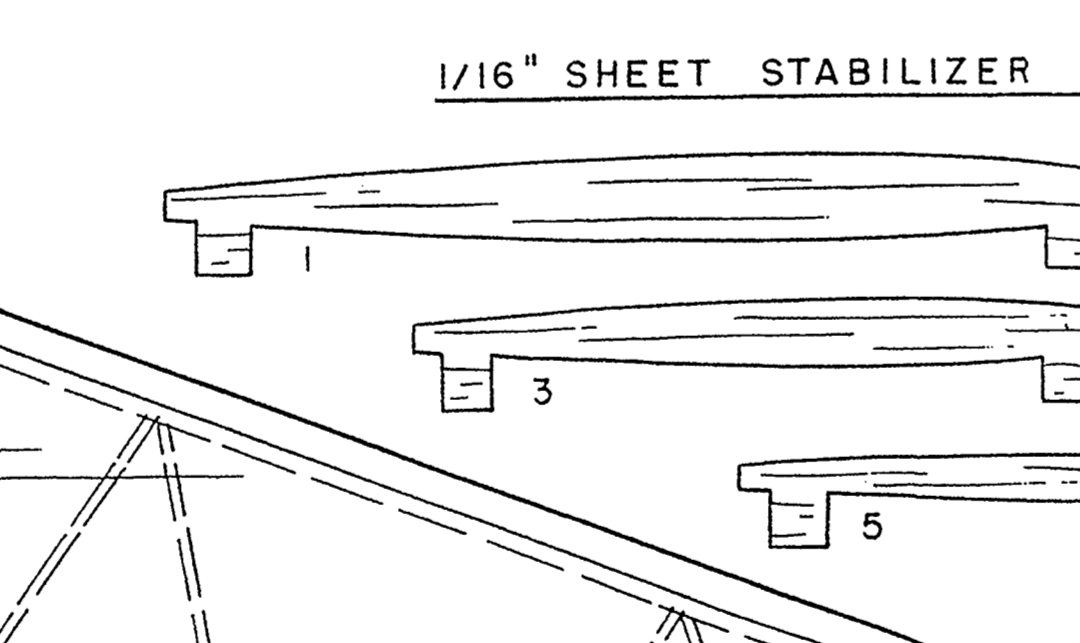
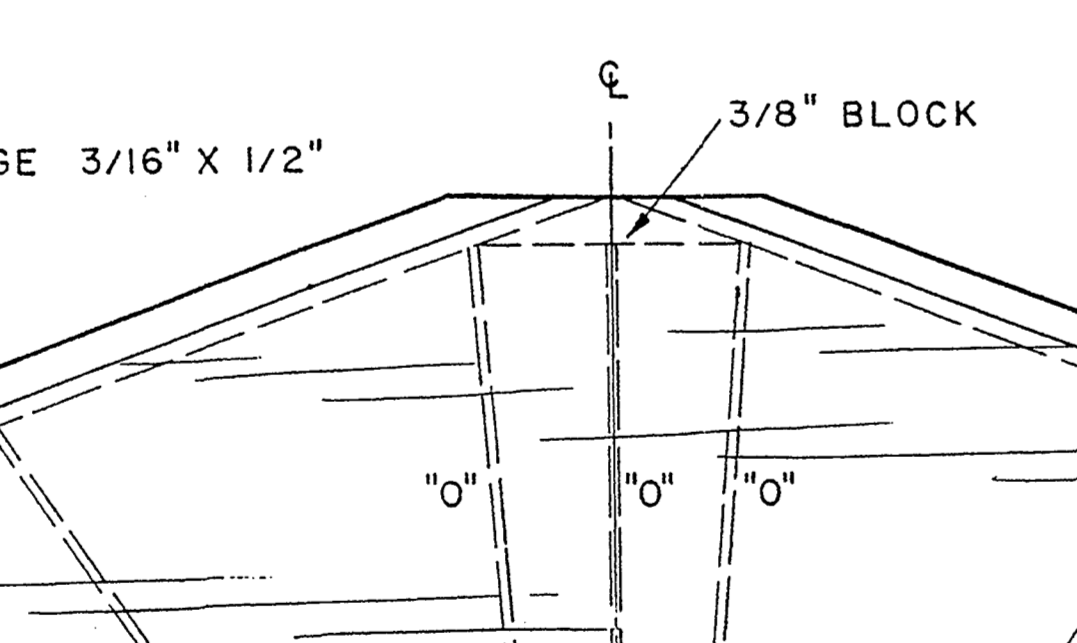
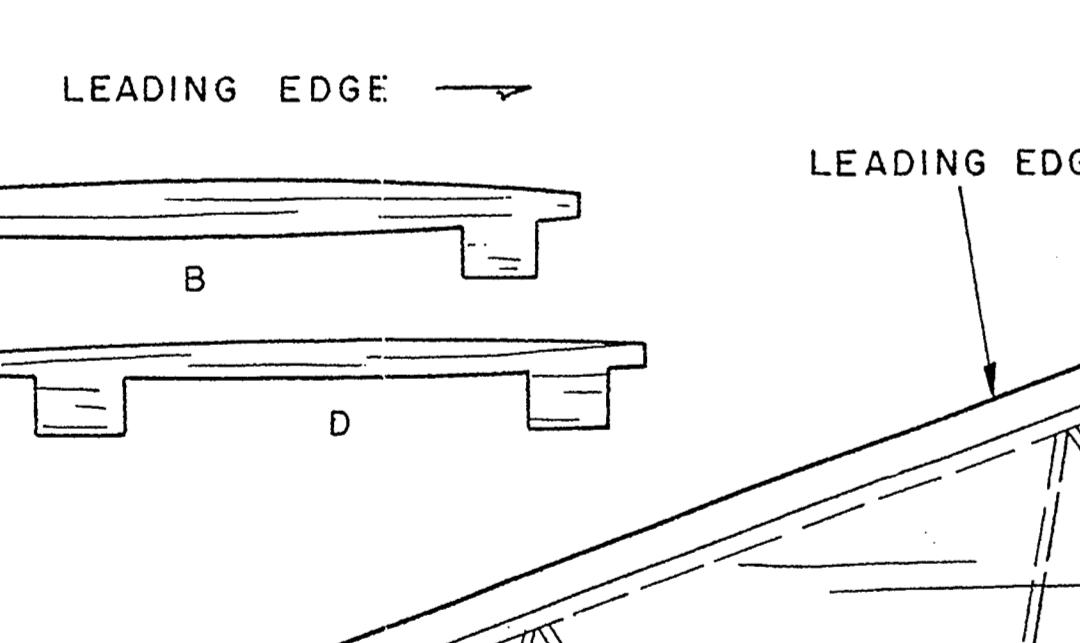
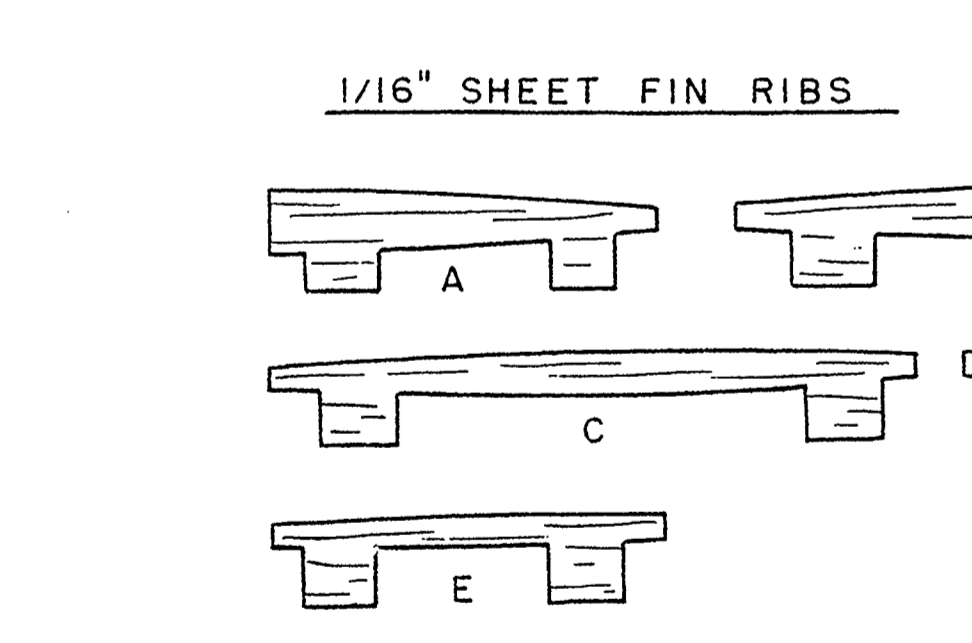
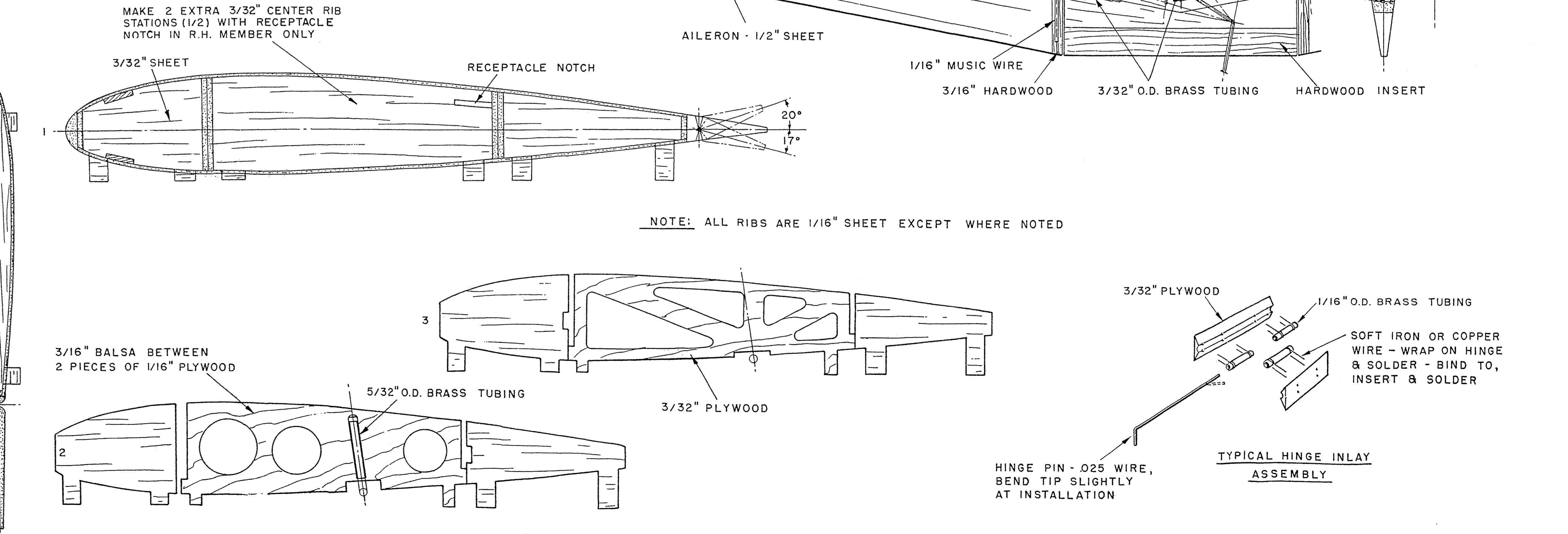
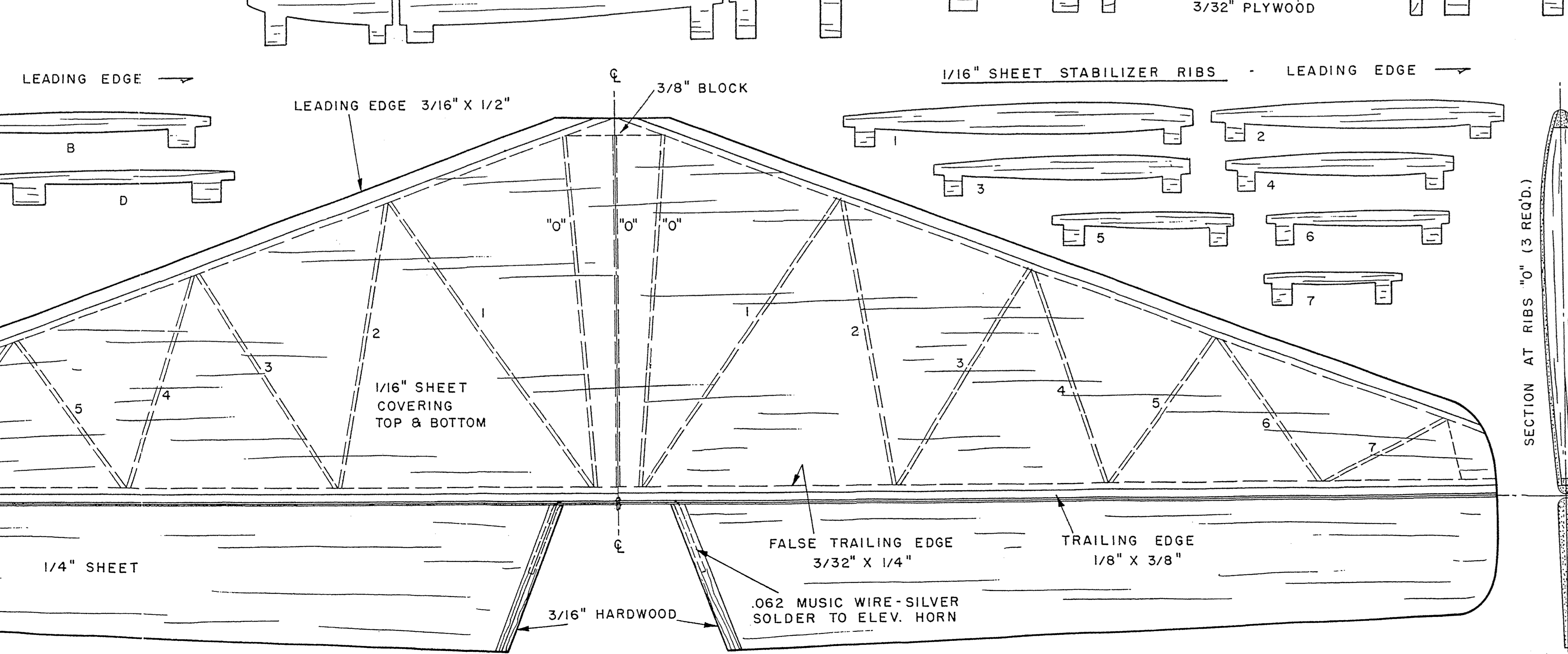
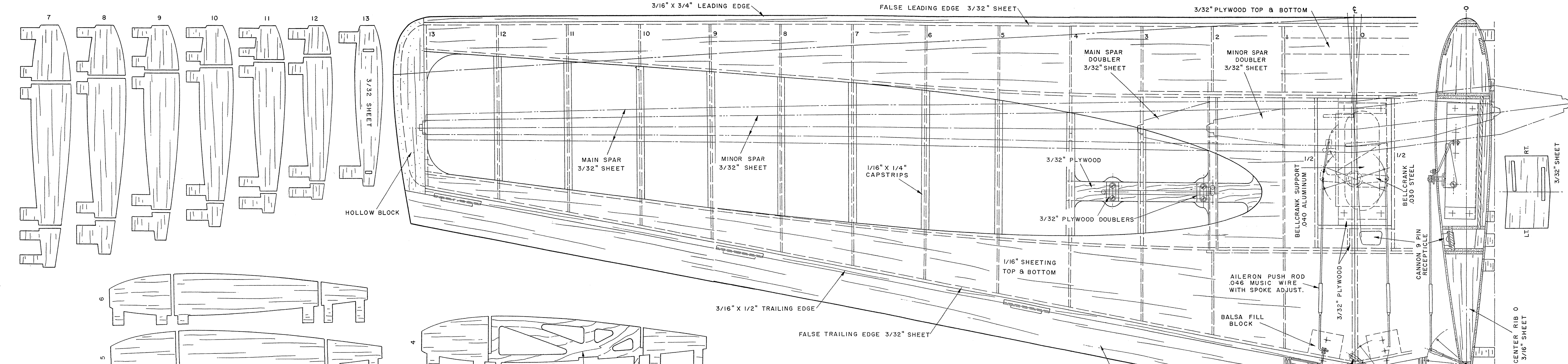


**Tom Bennett's**  
**WORLD CHAMPION**  
**"Perigee"**

designed by  
Tom Bennett  
winner of  
the 1935  
F.A.I. World  
Championship  
at London, England during August, 1935.

MAILED  
1/8 to 3/16  
English  
SPECIFICATIONS:  
Wing Span: 48"  
Wing Area: 570 sq. in.  
Flying Weight: 3 lbs.  
Complete Cost: \$1.00

A BRILLIANT DESIGN!



SECTION AT RIBS "0" (3 REQD.)

NOTE: ALL RIBS ARE 1/16" SHEET EXCEPT WHERE NOTED

