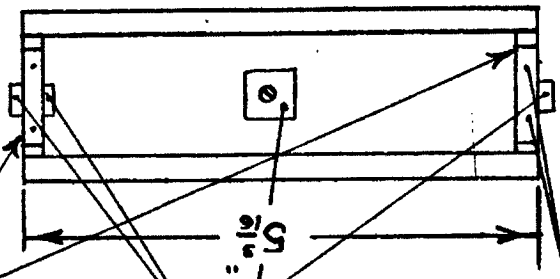
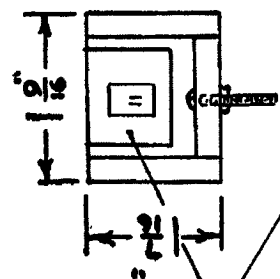


1/16 SHEET Balsa
FULL SIZE RIB •• EIFFEL 400

"B"
WINDSHIELD
FORMER
1/4" SHEET Balsa

"A"
NOSE FORMER
MAKE TWO
1/4" PLYWOOD

1/4" SHEET Balsa
RUDDER FORMER



BRASS END CLIPS

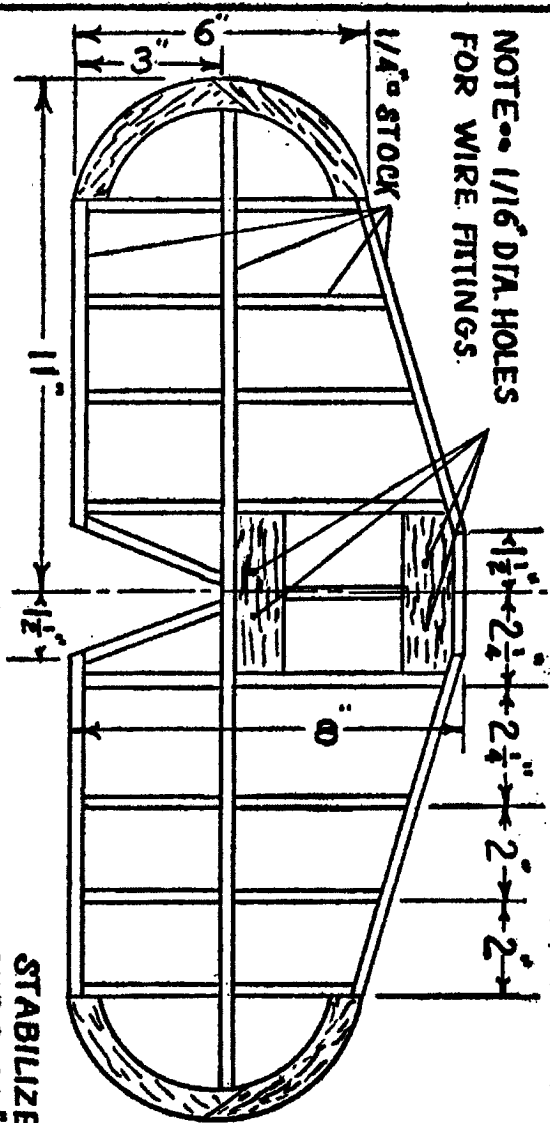
BATTERY BOX
1/4" HARD Balsa.
PLYWOOD ENDS

RADIO CLIPS
BOLT SOLDERED TO
BRASS PLATE, PLATE
GLUED ON BOTTOM OF B.B.

•• NOTE ••
BATTERY BOX
HALF SCALE, ALL
OTHERS FULL SIZE

HALF INCH BRADS

NOTE.. 1/16 DIA. HOLES FOR WIRE FITTINGS.

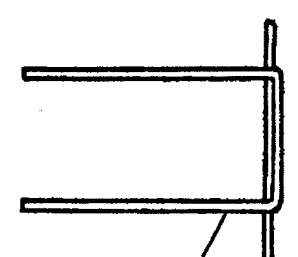


ALL HOLES 1/16 DIA.
 ALUM. PLATES PROTECT STABILIZER
 BOTH PLATES 1/32 THICK
 FULL SIZE

STABILIZER TIPS 1/4 SHEET

1 1/2" 2 1/4" 2 1/4" 2" 2"

A FLYING ACES MAGAZINE PLAN

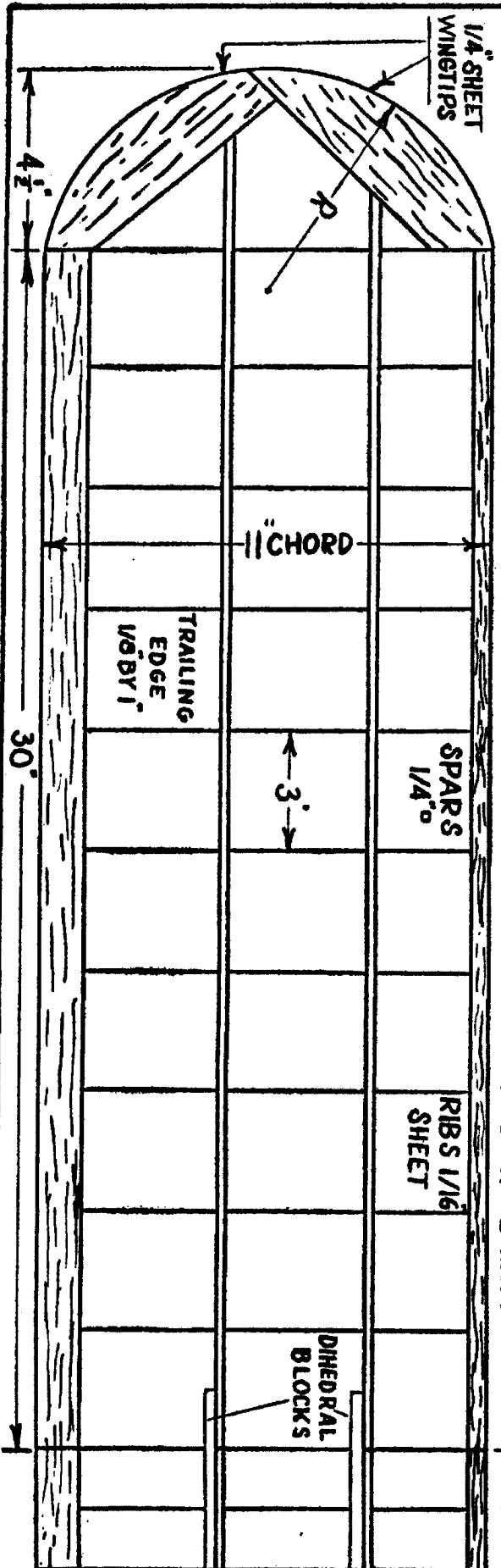


FRONT HOOK
 REAR HOOK

SCALE.. 1/8" = 1" UNLESS OTHERWISE NOTED.

FULL SIZE. 047 WIRE BOTH FITTINGS

NOTE.. FITTINGS BENT TO HOOK SHAPE AFTER INSERTED ON STABILIZER.



LEADING EDGE 1/2 BY 3/4 BALS.

3" CENTER SECTION

TRAILING EDGE 1/8 BY 1"

11" CHORD

SPARS 1/4"

RIBS 1/16 SHEET

DIHEDRAL BLOCKS

3"

30"

4 1/2"

1/4 SHEET WINGTIPS

R

