

SCALE: 1/4" = 1"

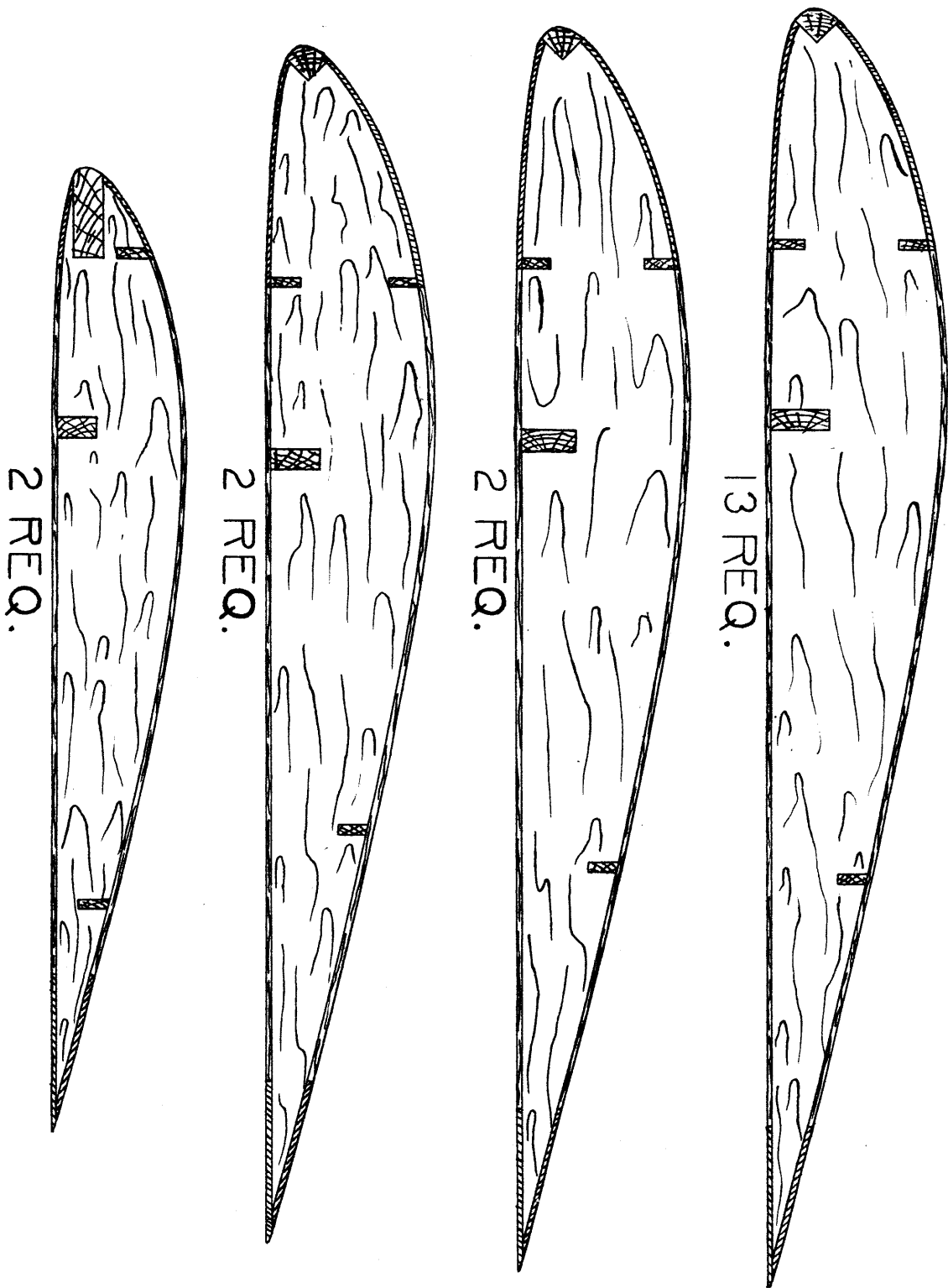
ALL STRINGERS 3/8" X 1/8" EXCEPT WHERE NOTED

FUSELAGE DIMENSIONS

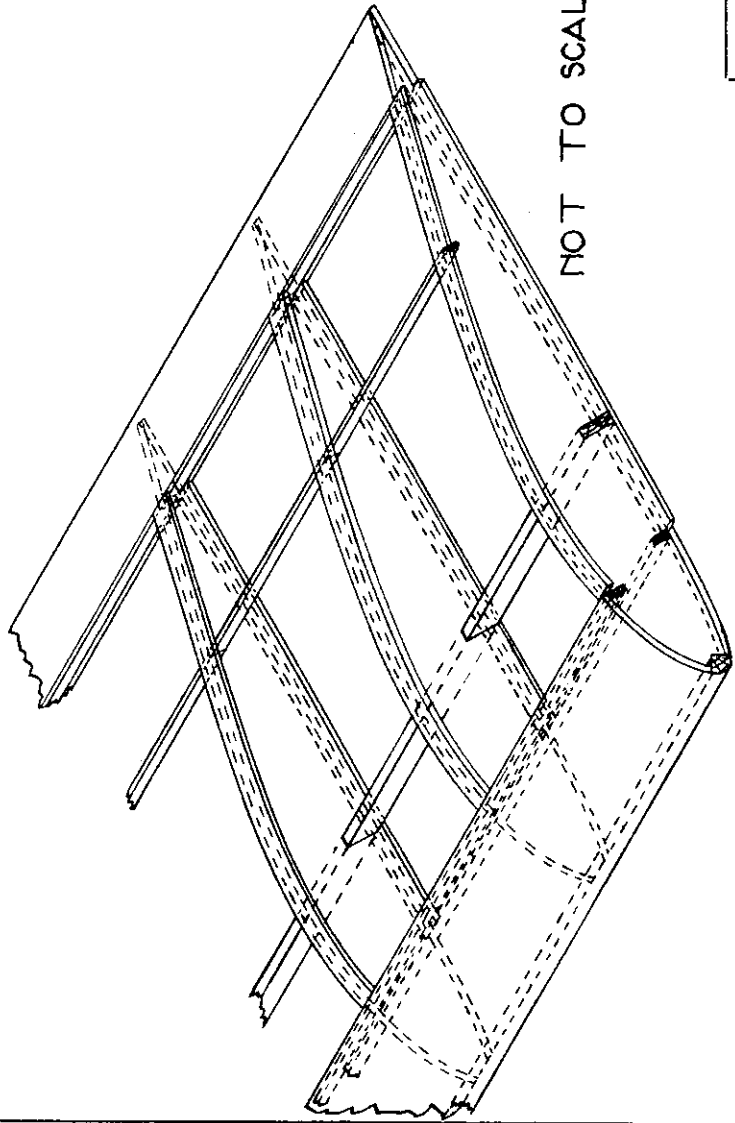
DISTANCE FROM CAL	
LOWER STATION	UPPER STATION
A	J
B	K
C	L
D	M
E	N
F	O
G	P
H	Q
I	R
	S

THE CLASS "A"
"SOAR HEAD"

DESIGNED AND DRAWN BY
CHARLIE LAUBER
OF THE
"PROP SPINNERS"

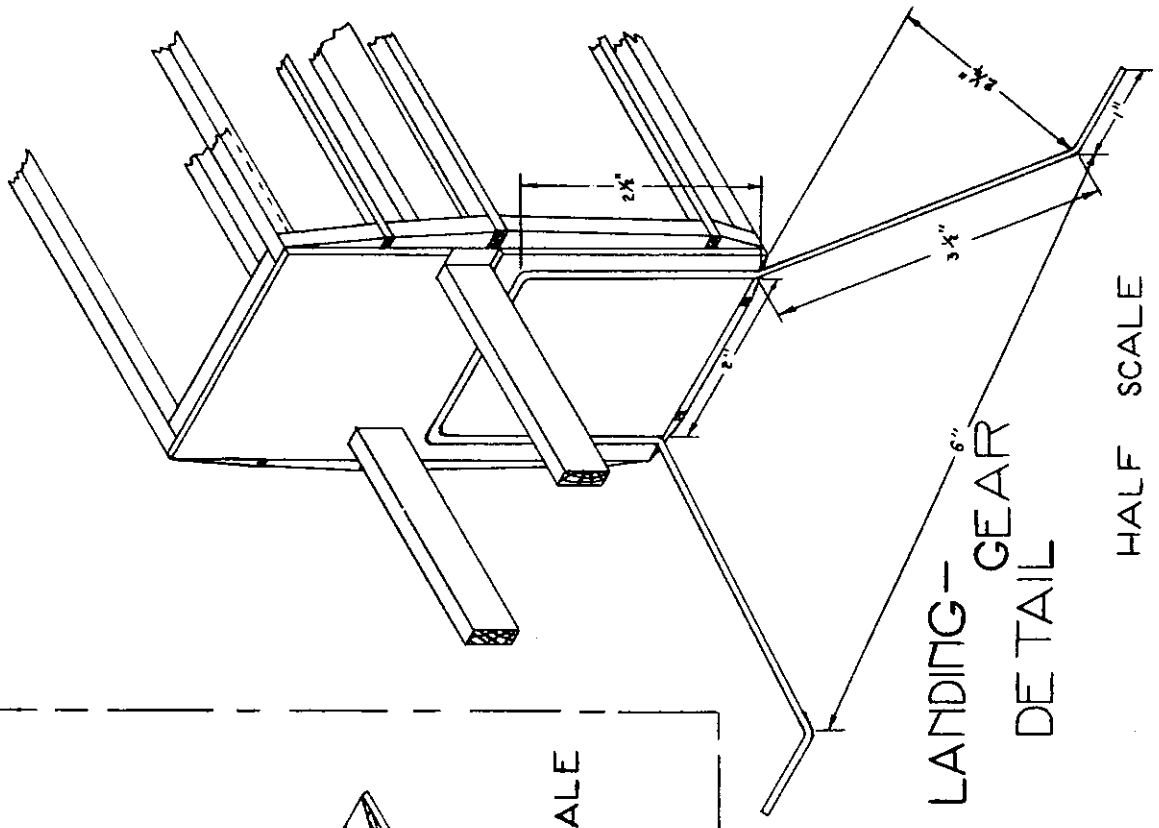


FULL SIZE WING RIBS



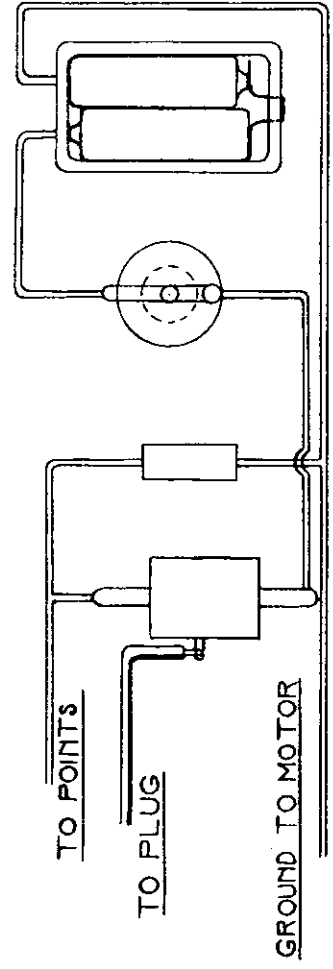
NOT TO SCALE

TYPICAL WING CONSTRUCTION



LANDING-GEAR DETAIL

HALF SCALE



TO POINTS

TO PLUG

GROUND TO MOTOR