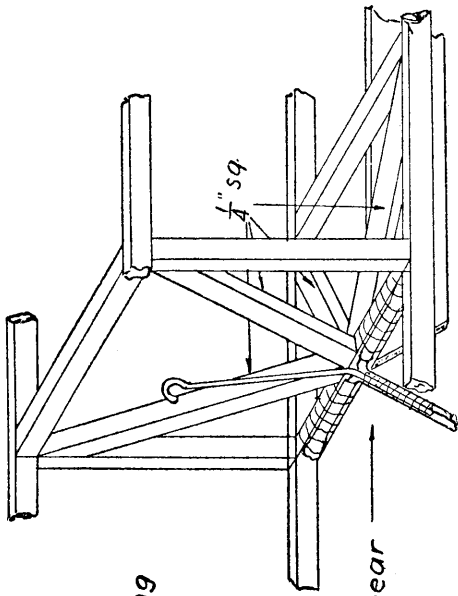
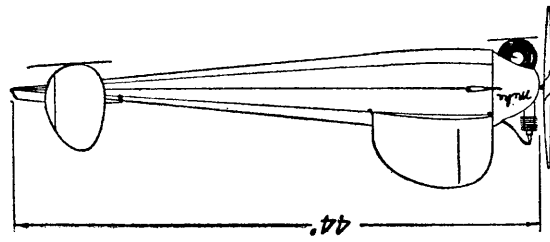
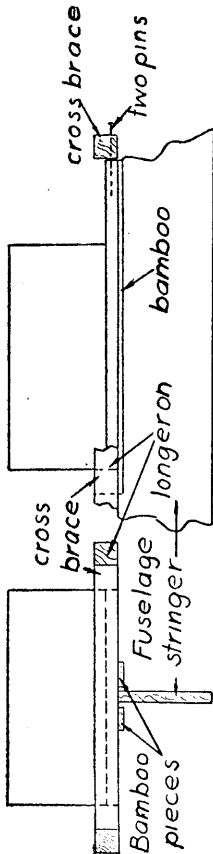


Landing gear bracing
Not to scale

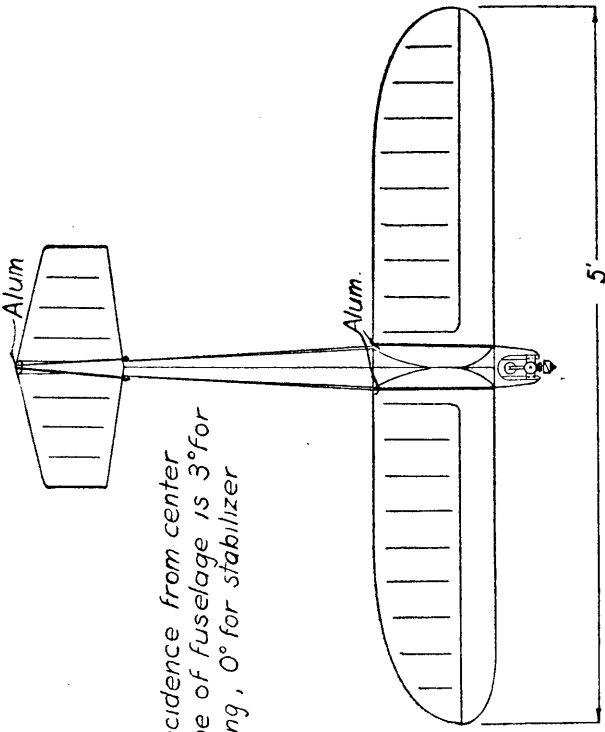


Landing gear

Battery box mounting
No scale



Scale: 1/16" = 1"



Incidence from center
line of fuselage is 3° for
wing, 0° for stabilizer

