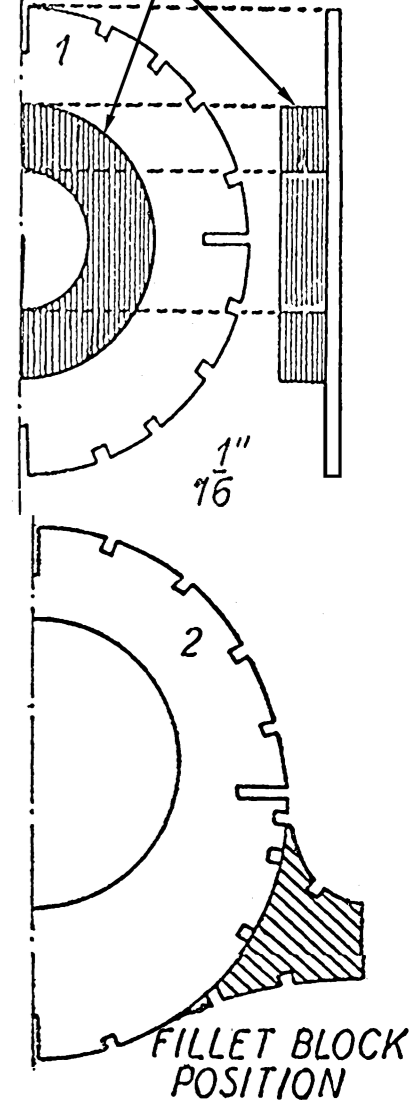
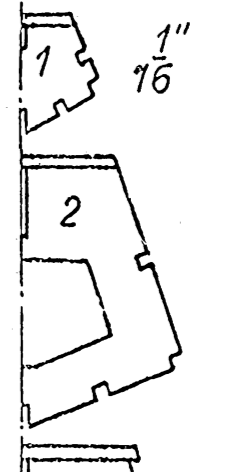


BULKHEADS

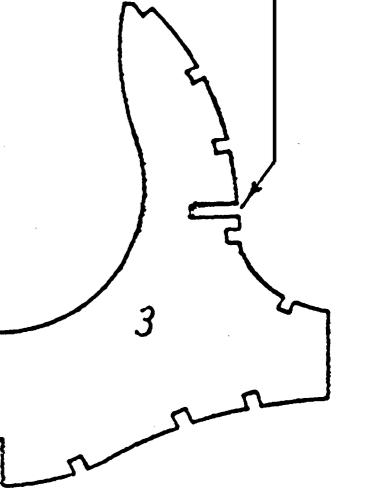
1" SHEET TO HOLD 4 MOVABLE COWL IN PLACE



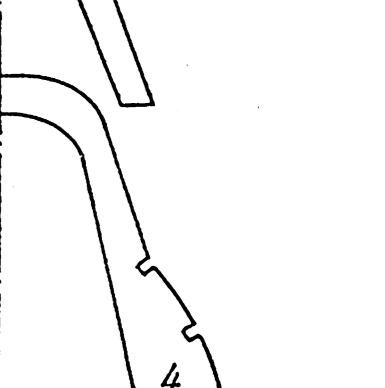
FLOAT SECTIONS



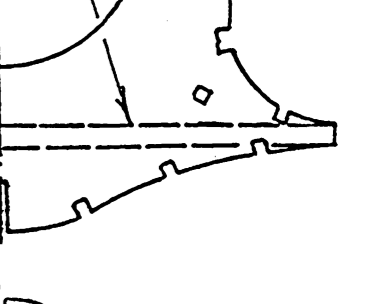
FILLET BLOCK POSITION



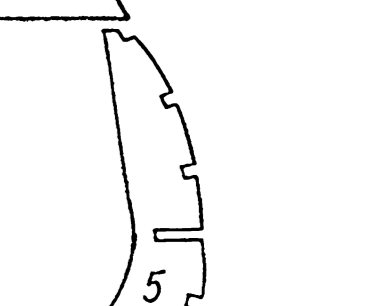
COCKPIT FORMER



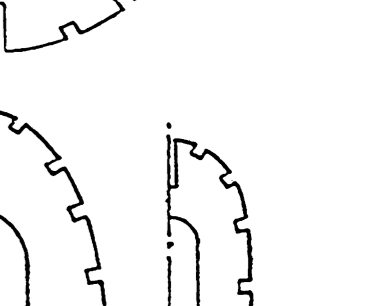
CROSS BRACE



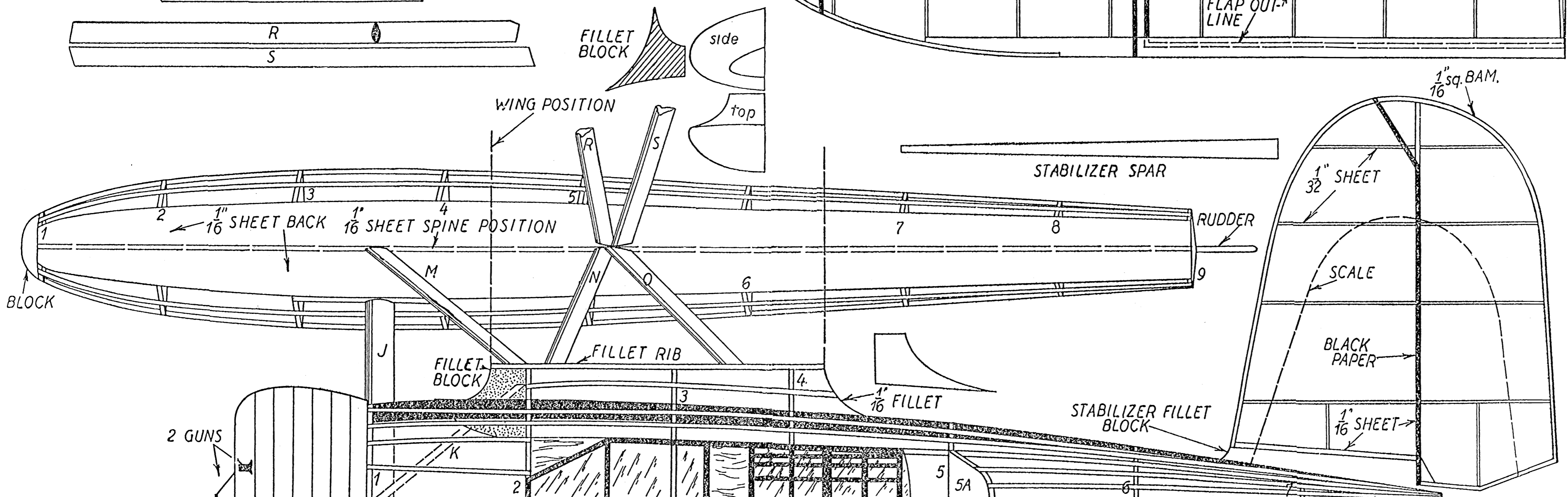
5A



6



7



STEP SEC.

6

7

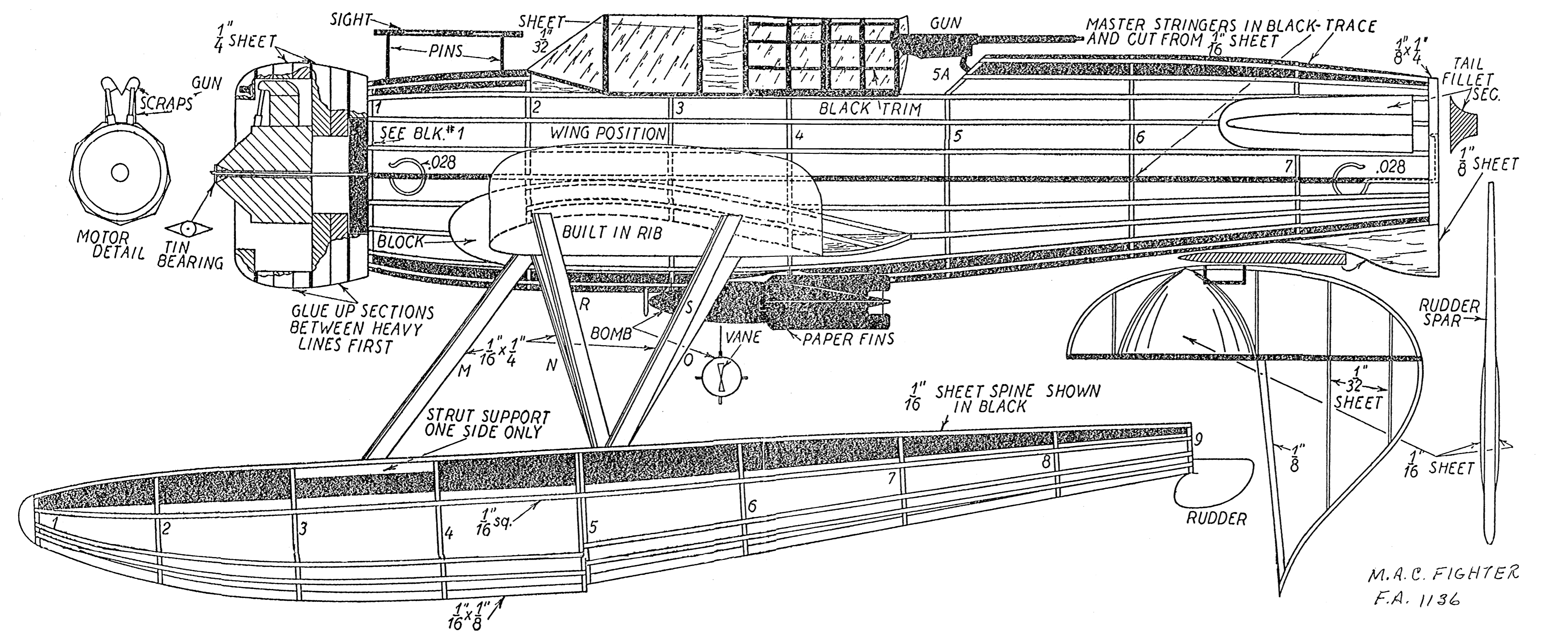
8

9

5A

6

7



M.A.C. FIGHTER F.A. 1136