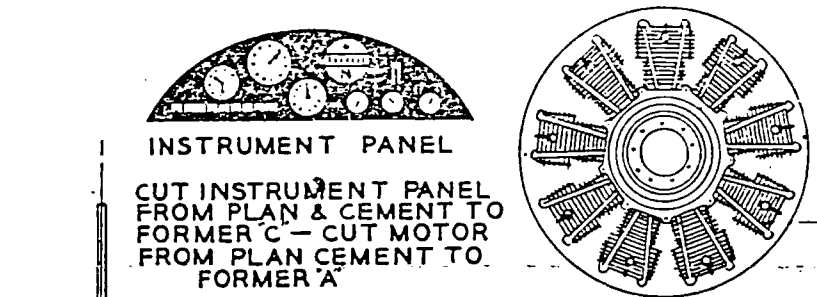
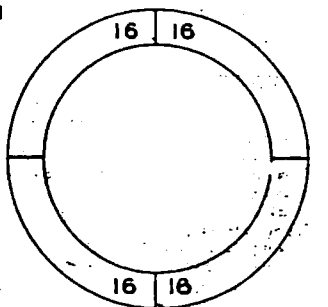
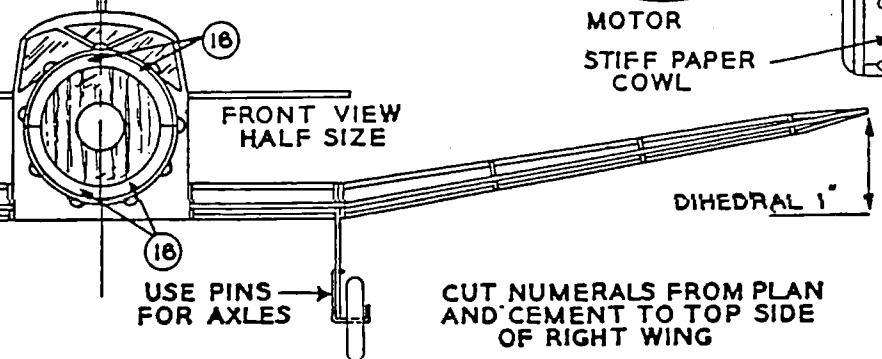


CUT BODY STRIPES FROM PLAN - JOIN HALVES OF STRIPES - CEMENT TO FINISHED FUSELAGE

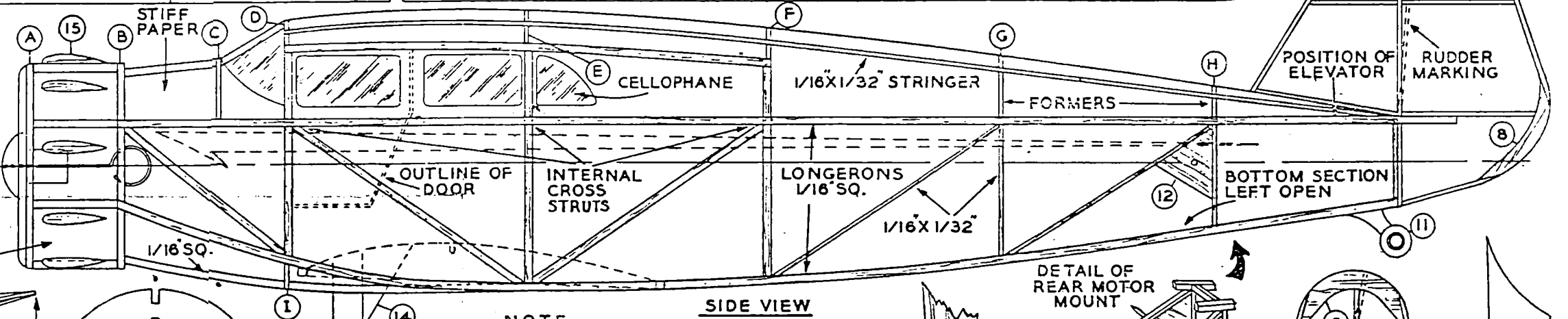


CUT INSTRUMENT PANEL FROM PLAN & CEMENT TO FORMER C - CUT MOTOR FROM PLAN CEMENT TO FORMER A

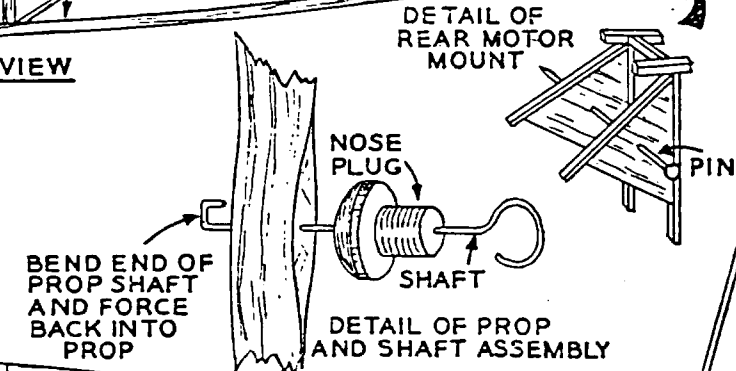


USE PINS FOR AXLES

CUT NUMERALS FROM PLAN AND CEMENT TO TOP SIDE OF RIGHT WING

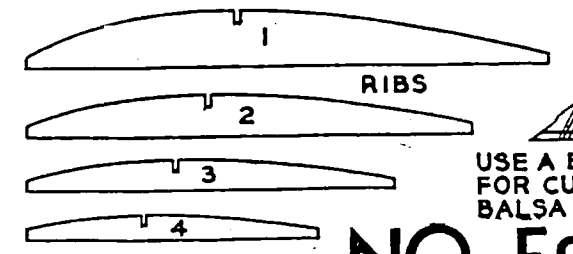
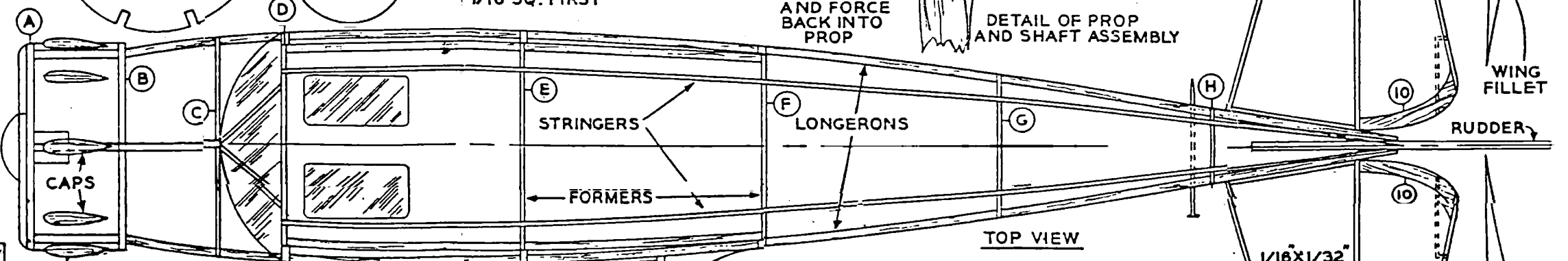


- NOTE -
DO NOT CEMENT NOSE PLUG IN POSITION
COVER WINGS, ELEVATOR ON TOP SIDE ONLY
RUDDER ON LEFT SIDE ONLY
CUT LONGEST LENGTHS OF 1/16\"/>

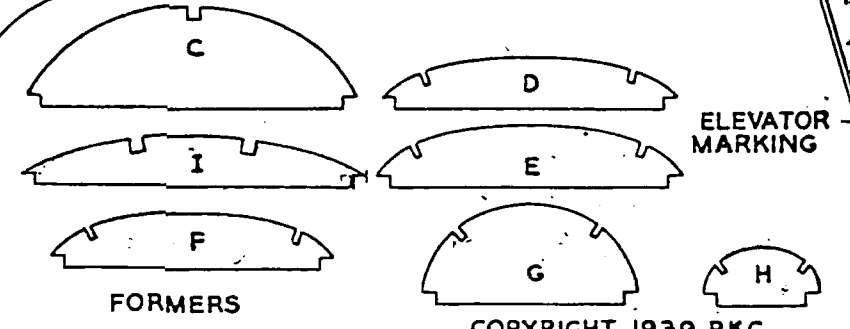
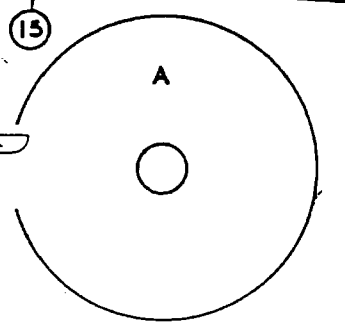


BEND END OF PROP SHAFT AND FORCE BACK INTO PROP

NO 2011



USE A BROKEN RAZOR BLADE FOR CUTTING OUT SMALL BALSA PARTS



NO. F80

FAIRCHILD 45

PAUL K. GUILLOW - WAKEFIELD MASS.

COPYRIGHT 1939 P.K.G.