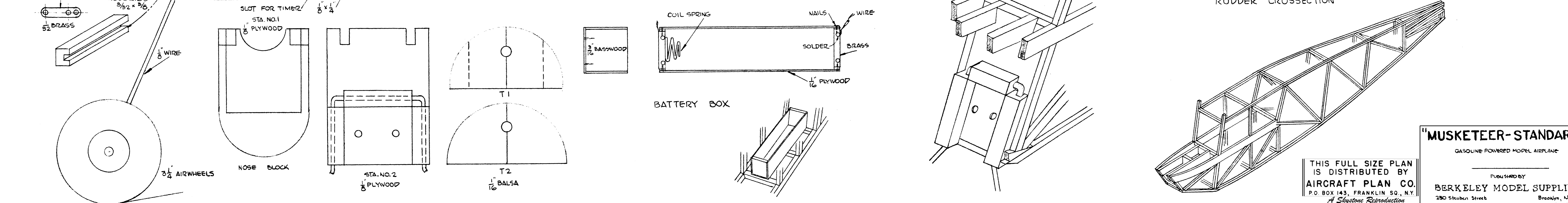
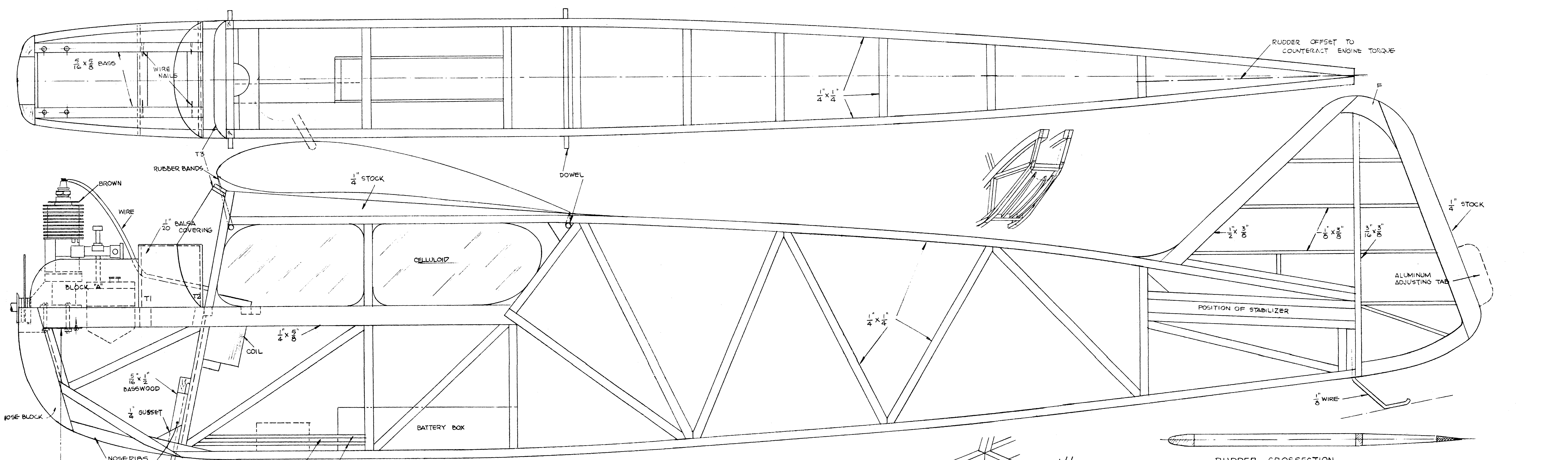


THIS FULL SIZE PLAN IS DISTRIBUTED BY
AIRCRAFT PLAN CO.
 P.O. BOX 143, FRANKLIN SQ., N.Y.
A Skystone Reproduction

"MUSKETEER-STANDARD"
 GASOLINE POWERED MODEL AIRPLANE
 Designed by W. Effinger
BERKELEY MODEL SUPPLIES
 230 Steuben Street Brooklyn, N. Y.
 SHEET TWO



THIS FULL SIZE PLAN IS DISTRIBUTED BY
AIRCRAFT PLAN CO.
 P.O. BOX 143, FRANKLIN SQ., N.Y.
A Skystone Reproduction

"MUSKETEER-STANDARD"
 GASOLINE POWERED MODEL AIRPLANE
 DESIGNED BY
BERKELEY MODEL SUPPLIES
 230 Steuben Street Brooklyn, N. Y.
 SHEET TWO