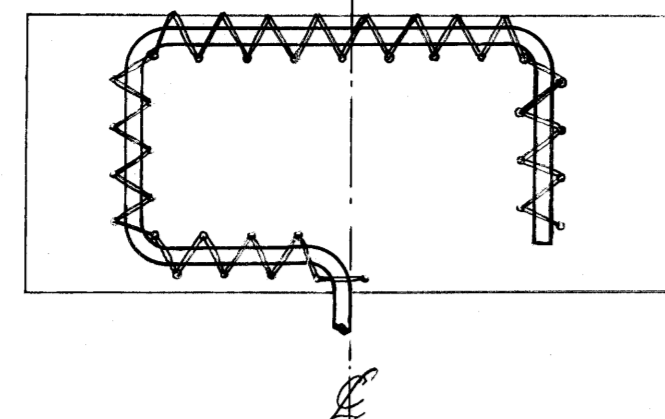


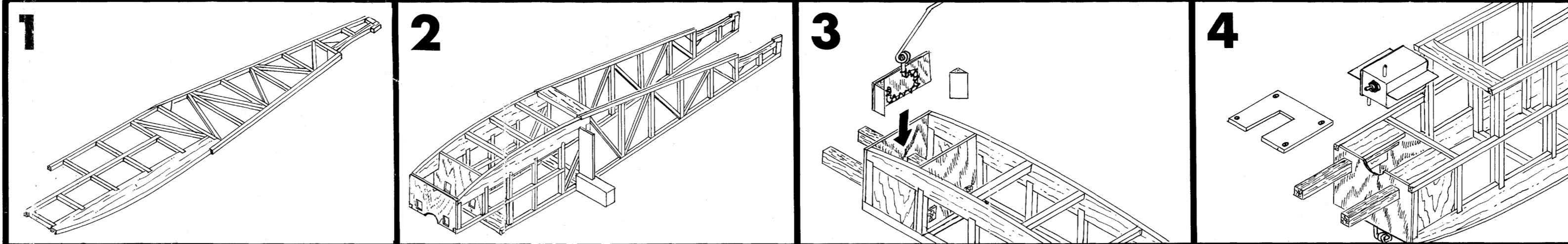
KEILKRAFT

Mini Super

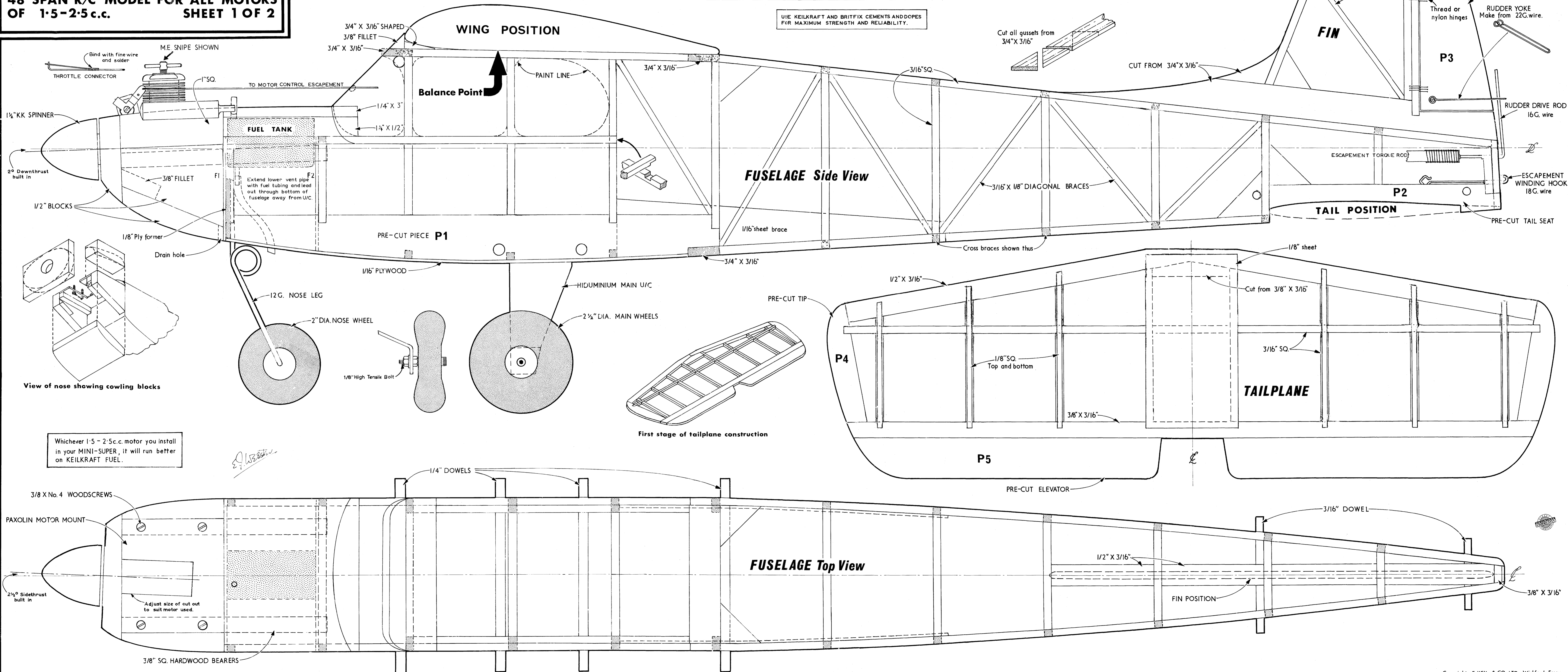
48" SPAN R/C MODEL FOR ALL MOTORS
OF 1.5-2.5 c.c. SHEET 1 OF 2



Drill 1/8" ply former as shown, then sew and cement front U/C leg securely in place.



USE KEILKRAFT AND BRITFIX CEMENTS AND DOPES FOR MAXIMUM STRENGTH AND RELIABILITY.

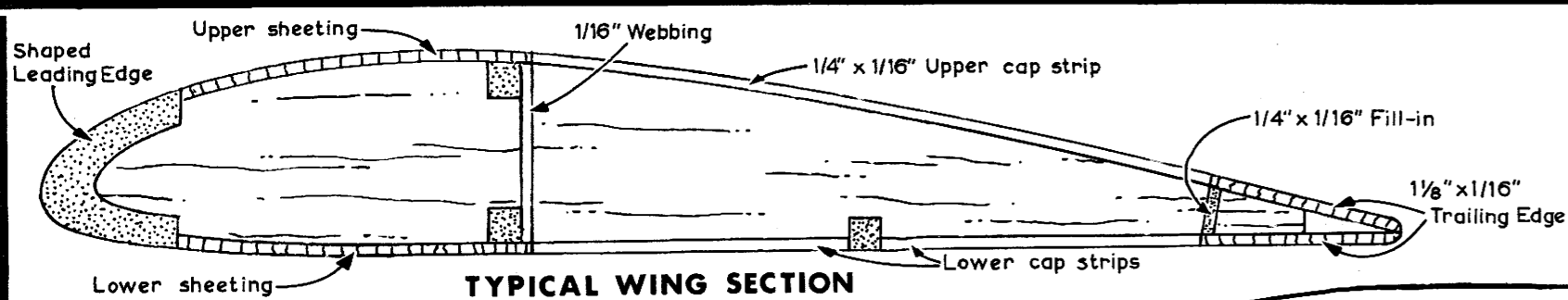


Whichever 1.5 - 2.5 c.c. motor you install in your MINI-SUPER, it will run better on KEILKRAFT FUEL.

KEILKRAFT Mini Super

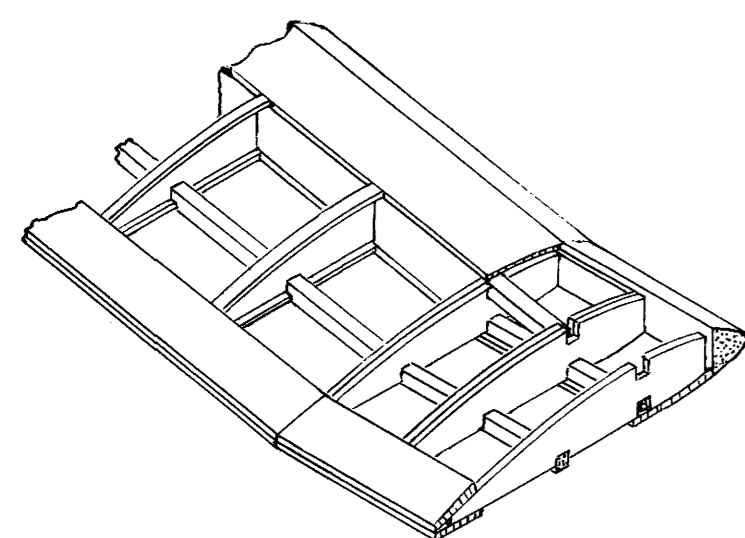
48" span R/C MODEL.

Sheet 2 of 2



USE KEILKRAFT AND BRITFIX CEMENTS AND DOPES FOR MAXIMUM STRENGTH AND RELIABILITY.

3/16" WING TIP



Top spar of outer wing panel

SECTION THROUGH WING CENTRE SECTION.

