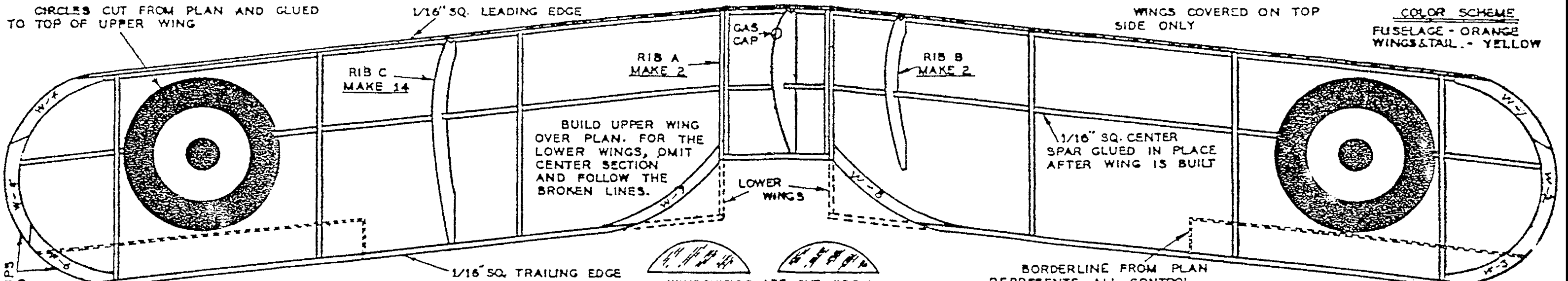


CIRCLES CUT FROM PLAN AND GLUED TO TOP OF UPPER WING

1/16" SQ. LEADING EDGE

WINGS COVERED ON TOP SIDE ONLY

COLOR SCHEME
FUSELAGE - ORANGE
WINGS & TAIL - YELLOW



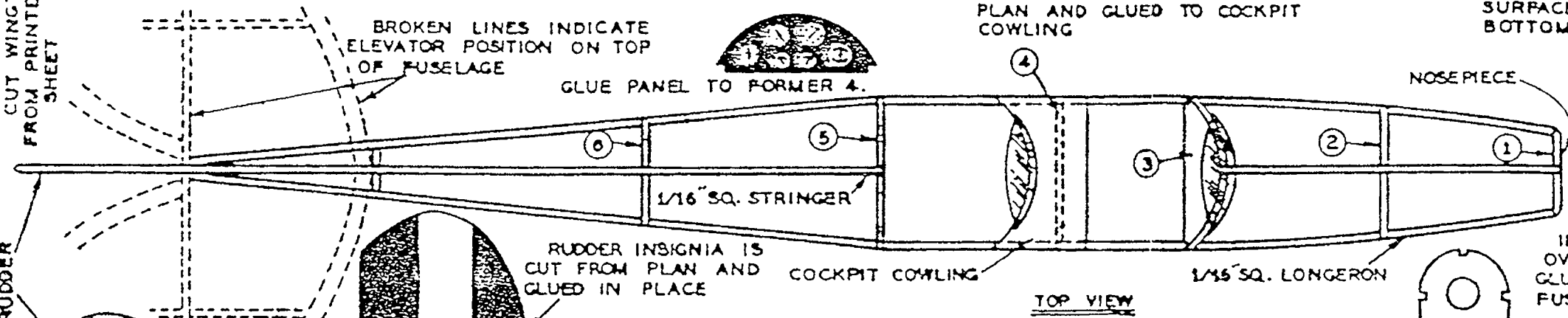
CUT WING TIPS FROM PRINTED SHEET

BROKEN LINES INDICATE ELEVATOR POSITION ON TOP OF FUSELAGE

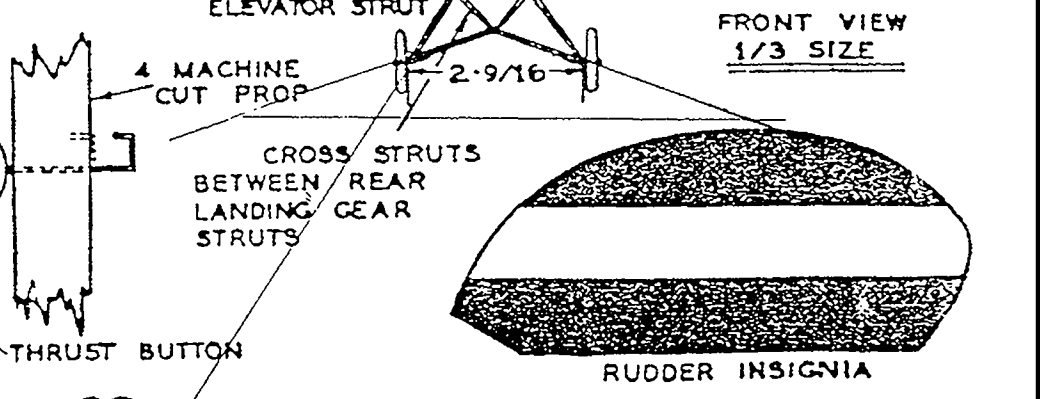
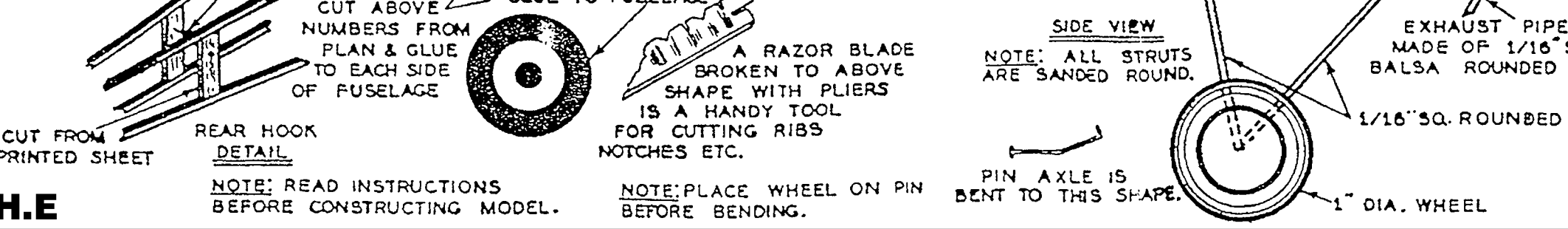
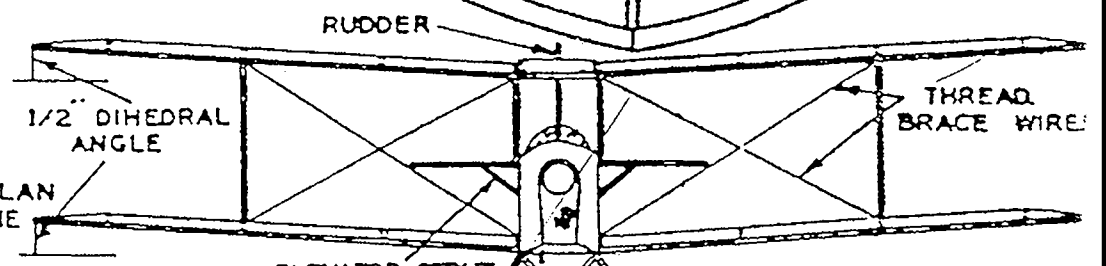
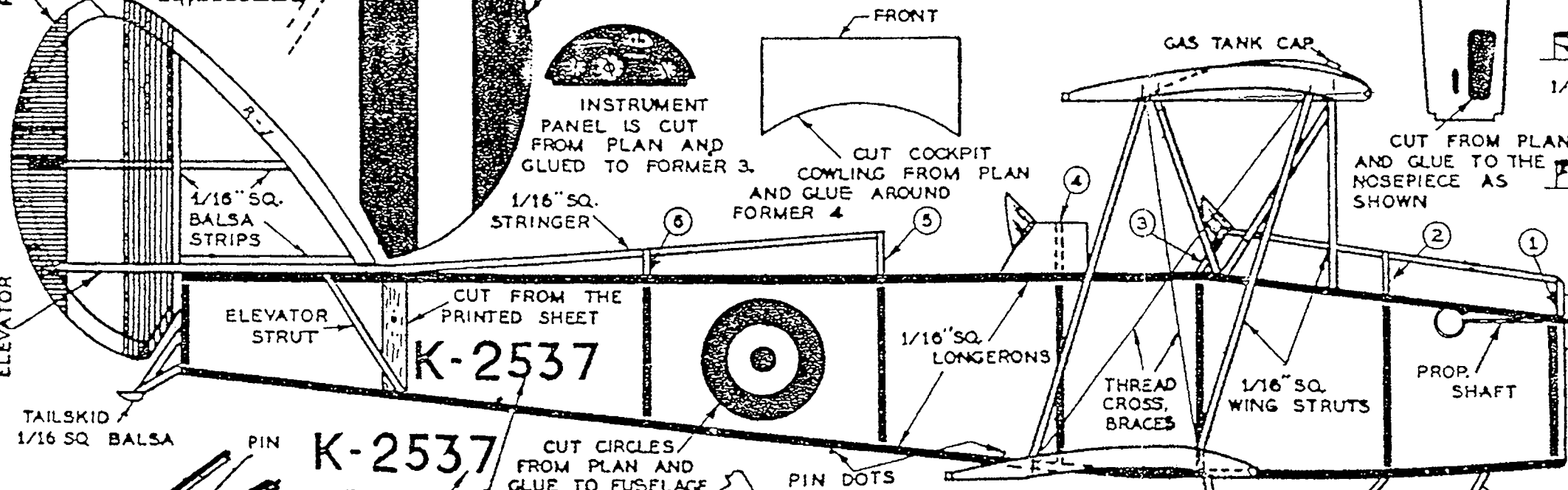
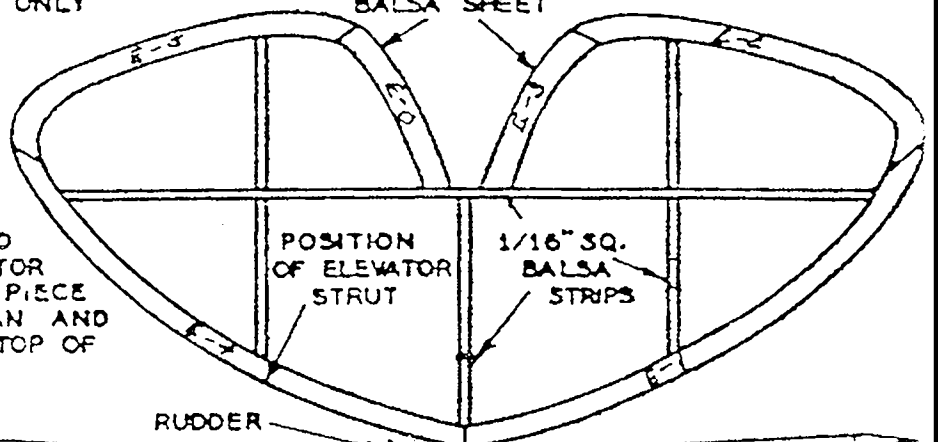
WINDSHIELDS ARE CUT FROM PLAN AND GLUED TO COCKPIT COWLING

BORDERLINE FROM PLAN REPRESENTS ALL CONTROL SURFACES. ALERONS ON BOTTOM WING ONLY

CUT ELEVATOR OUTLINE FROM PRINTED Balsa SHEET



BUILD ELEVATOR IN ONE PIECE OVER PLAN AND GLUE TO TOP OF FUSELAGE.



K-2537

K-2537

CUT CIRCLES FROM PLAN AND GLUE TO FUSELAGE

A RAZOR BLADE BROKEN TO ABOVE SHAPE WITH PLIERS IS A HANDY TOOL FOR CUTTING RIBS NOTCHES ETC.

NOTE: ALL STRUTS ARE SANDED ROUND.

PIN AXLE IS BENT TO THIS SHAPE.

NOTE: READ INSTRUCTIONS BEFORE CONSTRUCTING MODEL.

NOTE: PLACE WHEEL ON PIN BEFORE BENDING.

TIGER MOTH

WINGSPAN - 16" | LENGTH - 11-1/2"

KIT NO. A-157 | SERIES - ONE STAR

DRAWN BY Joe Kovacs | LETTERED BY Stan

COMET MODEL AIRPLANE SUPPLY CO.

H.E