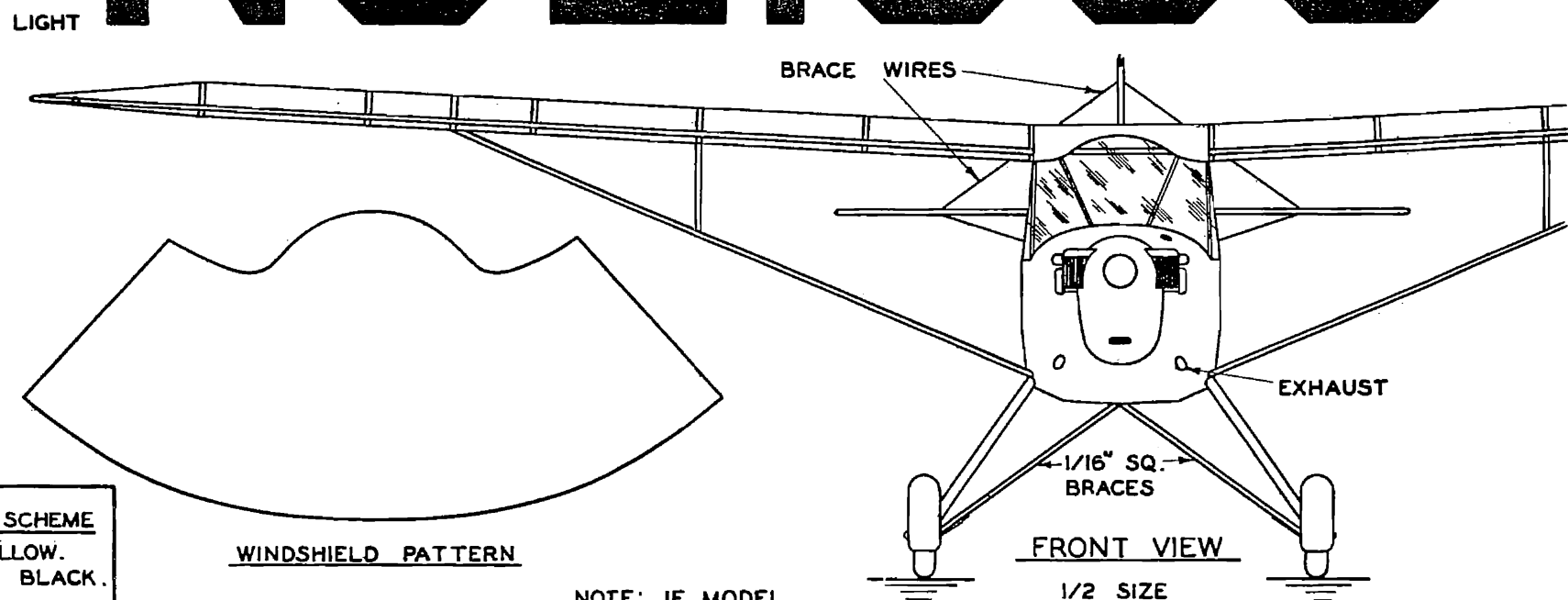
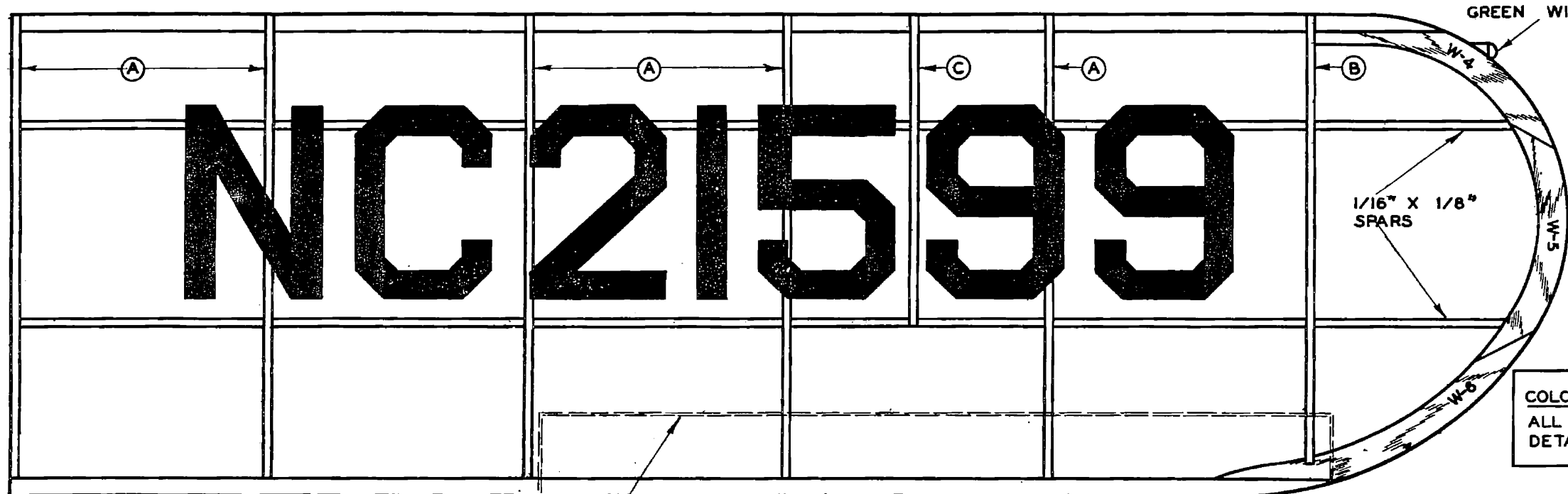
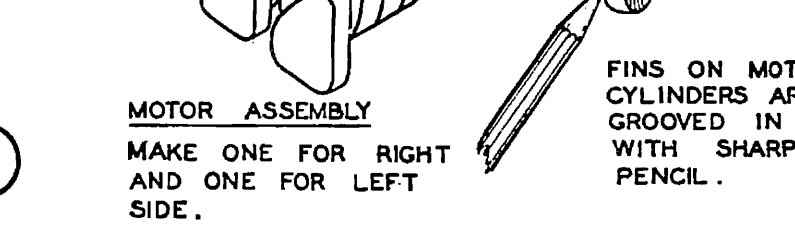
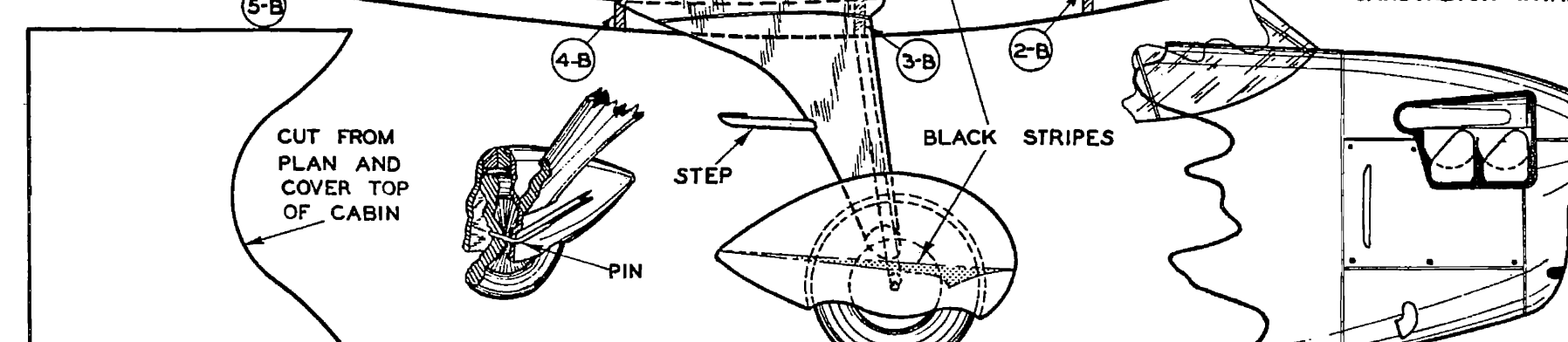
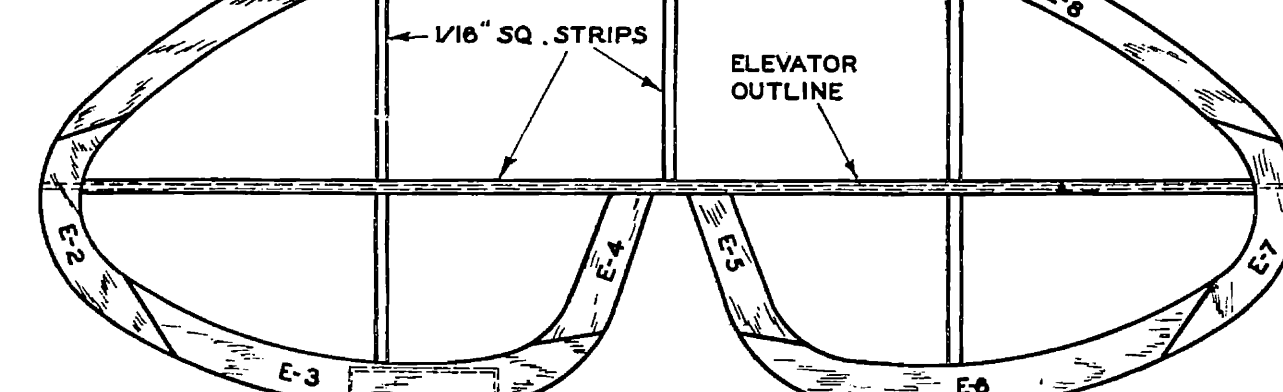
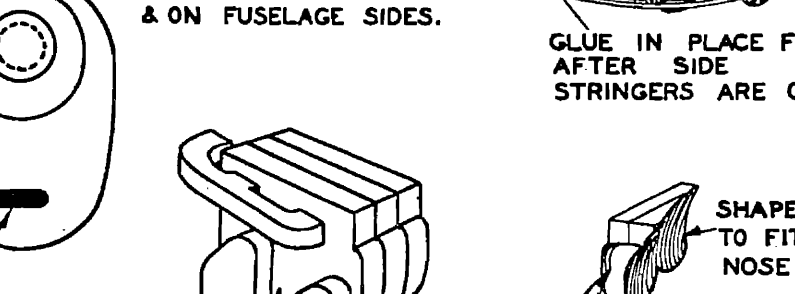
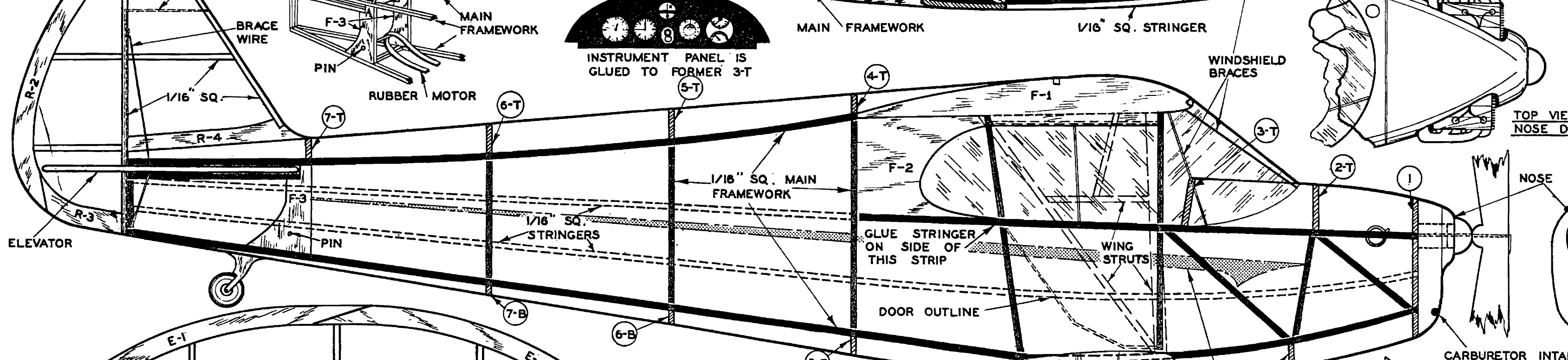
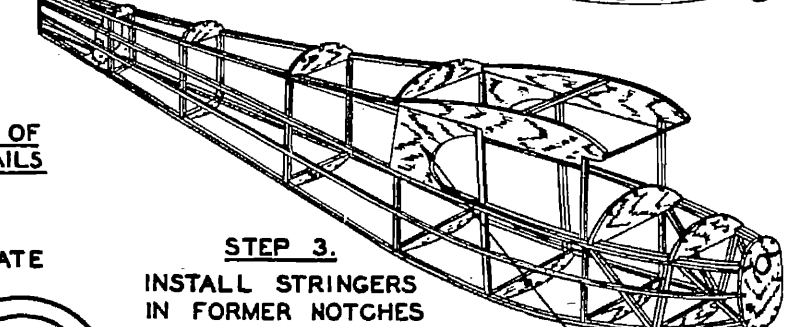
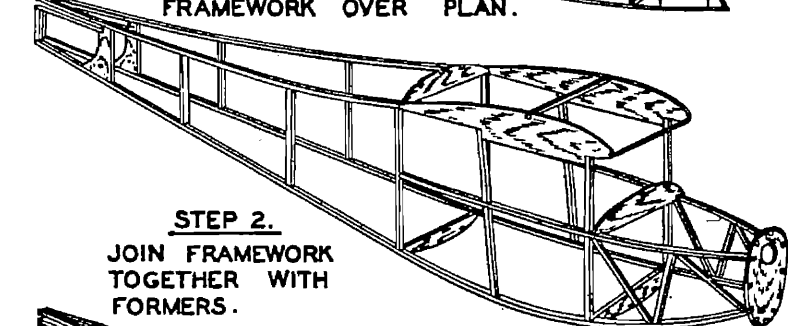
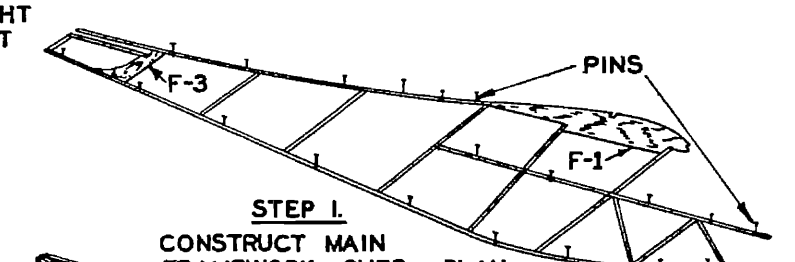
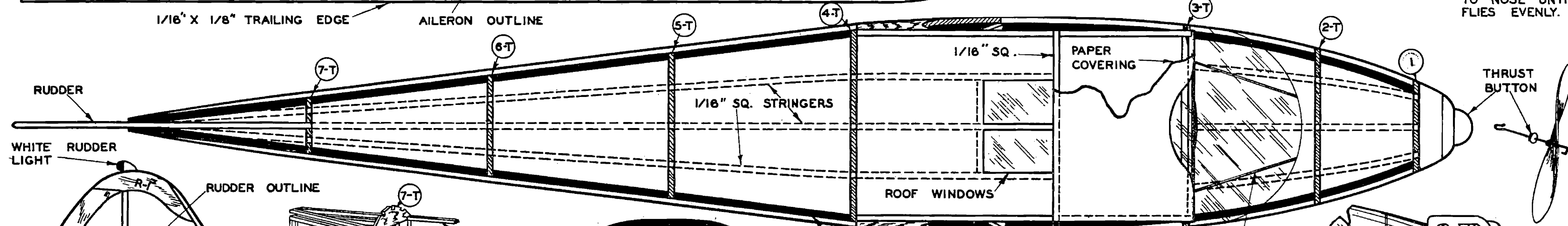


NC21599



NOTE: IF MODEL STALLS, ADD WEIGHT TO NOSE UNTIL IT FLIES EVENLY.



PIPER CUB COUPE
 WINGSPAN 25" | LENGTH 15-5/8"
 DRAWN BY *Walter Dornier* | KIT NO. E6