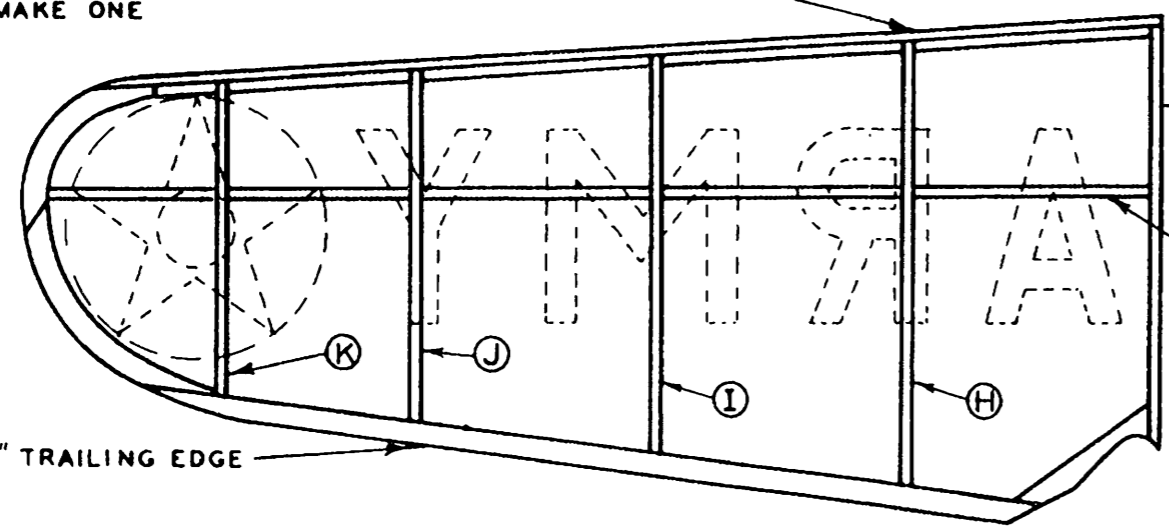


1/16" X 1/8" TRAILING EDGE  
3/32" SQ. LEADING EDGE

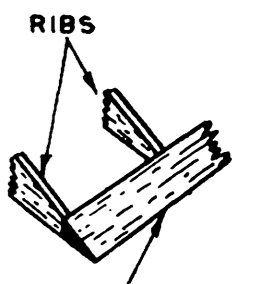
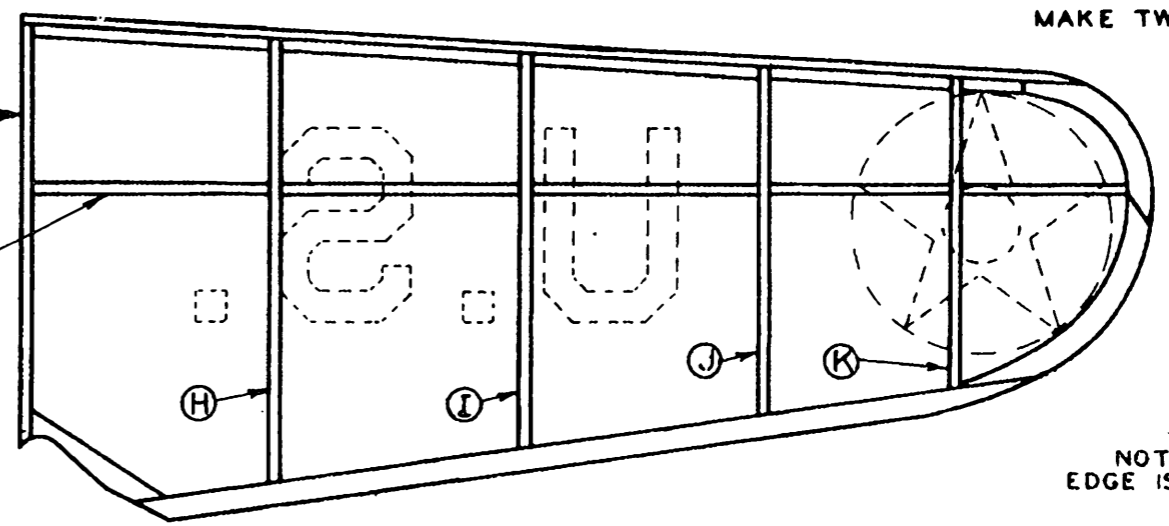


BANANA OIL A THIN STRIP OF  
BLACK TISSUE HERE TO SHOW  
UP AILERON.

LEADING EDGE IS  
SANDED ROUND AS  
SHOWN ABOVE.



1/16" X 1/8" SPAR

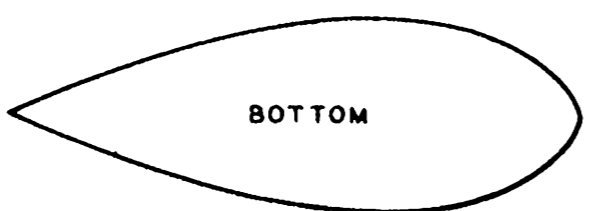
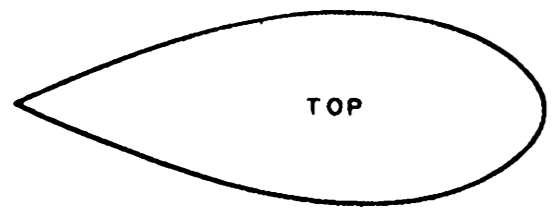


NOTE HOW TRAILING  
EDGE IS TAPERED.

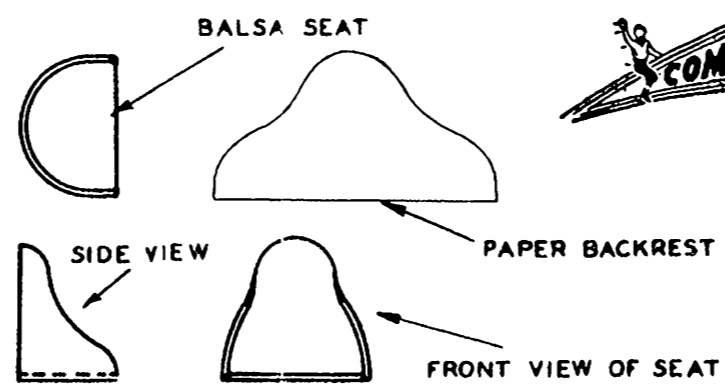
MAKE 2 SIDES OF 1/16" Balsa



CUT TWO SIDES FROM 1/16" SHEET Balsa.  
NOW MOISTEN THEM AND BEND TO SHAPE BY  
HOLDING AGAINST A LIGHTED ELECTRIC LIGHT  
BULB.

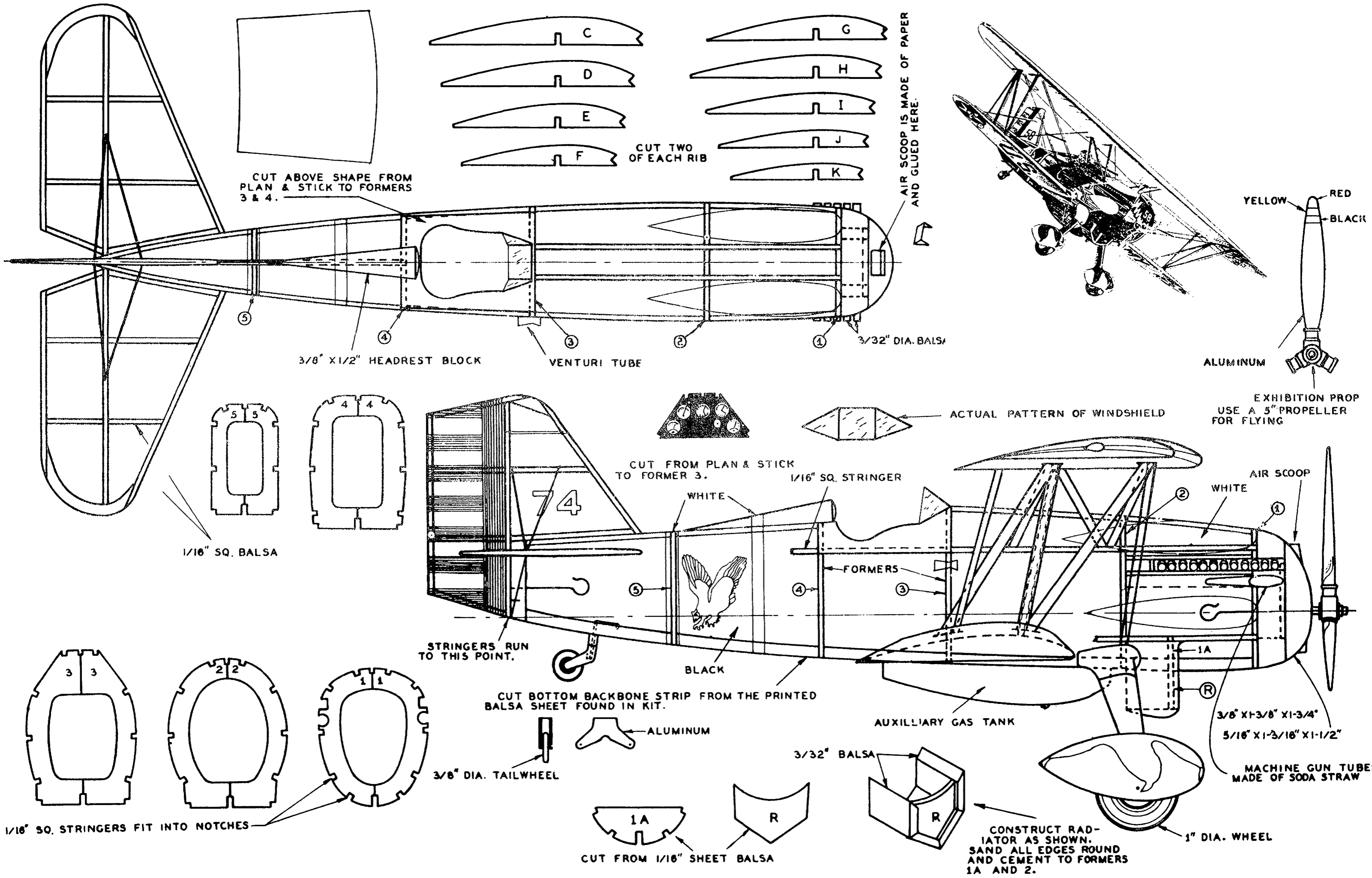


CUT FROM PLAN AND CEMENT TO THE TWO CURVED Balsa  
SIDE PIECES.



# U.S. ARMY CURTISS HAWK P-6E

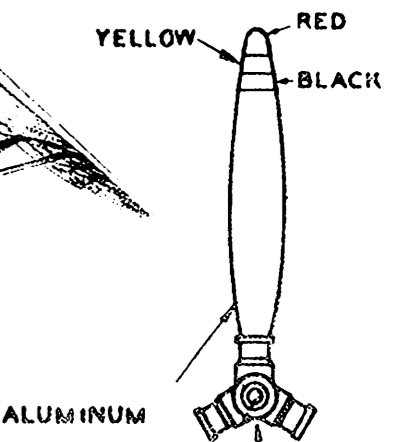
COMET MODEL AIRPLANE and SUPPLY CO.  
1124 GERMAN RD. CHICAGO, ILLINOIS



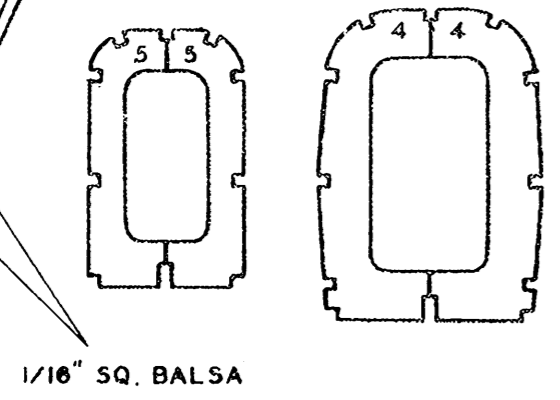
CUT ABOVE SHAPE FROM PLAN & STICK TO FORMERS 3 & 4.

CUT TWO OF EACH RIB

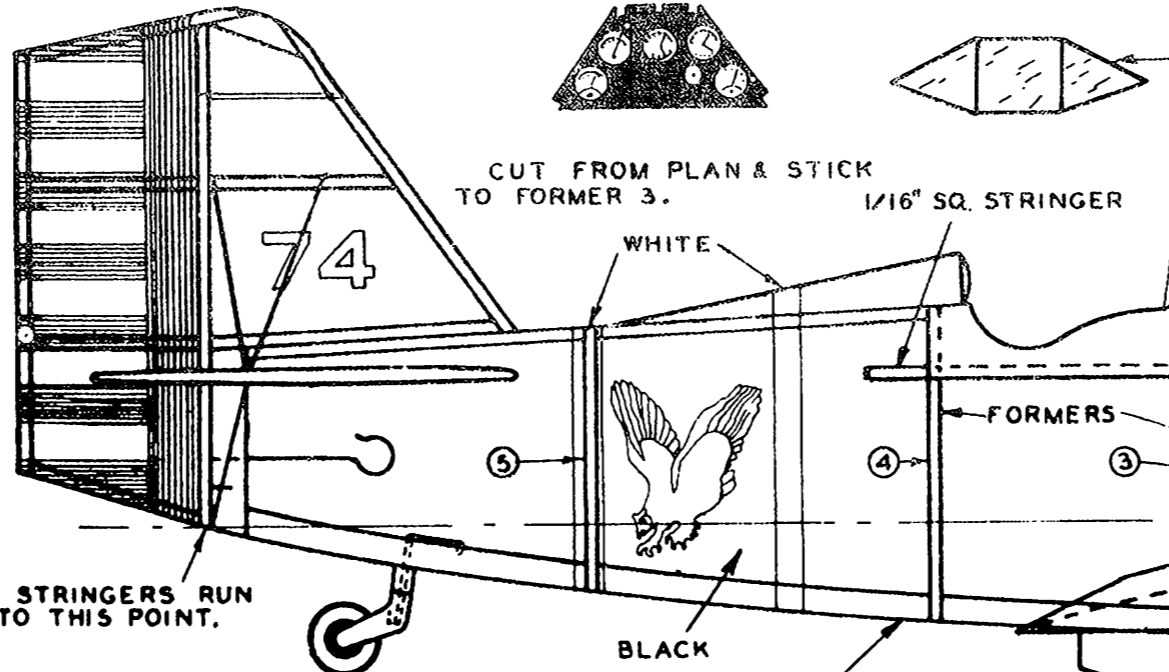
AIR SCOOP IS MADE OF PAPER AND GLUED HERE.



EXHIBITION PROP USE A 5" PROPELLER FOR FLYING

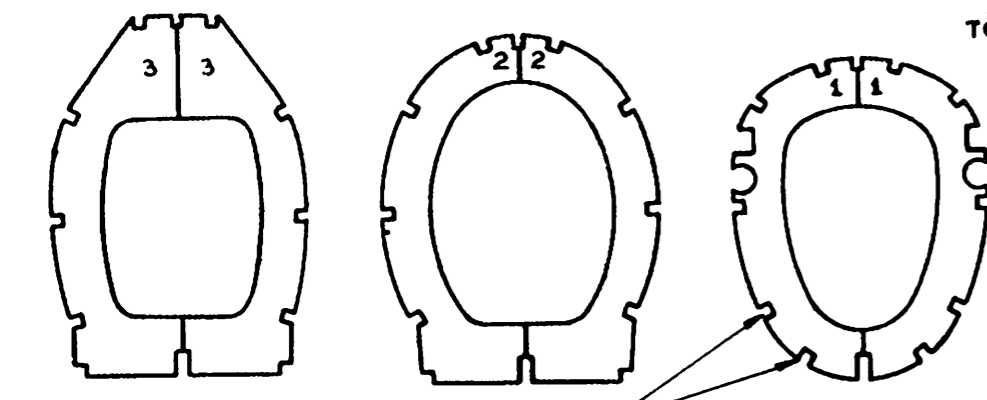


1/16" SQ. Balsa



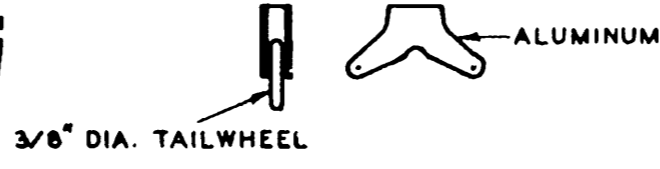
CUT FROM PLAN & STICK TO FORMER 3.

ACTUAL PATTERN OF WINDSHIELD

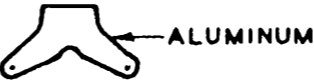


1/16" SQ. STRINGERS FIT INTO NOTCHES

CUT BOTTOM BACKBONE STRIP FROM THE PRINTED Balsa SHEET FOUND IN KIT.



3/8" DIA. TAILWHEEL

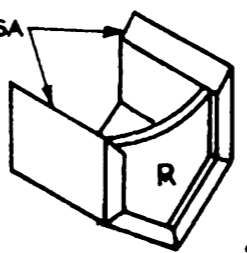


ALUMINUM

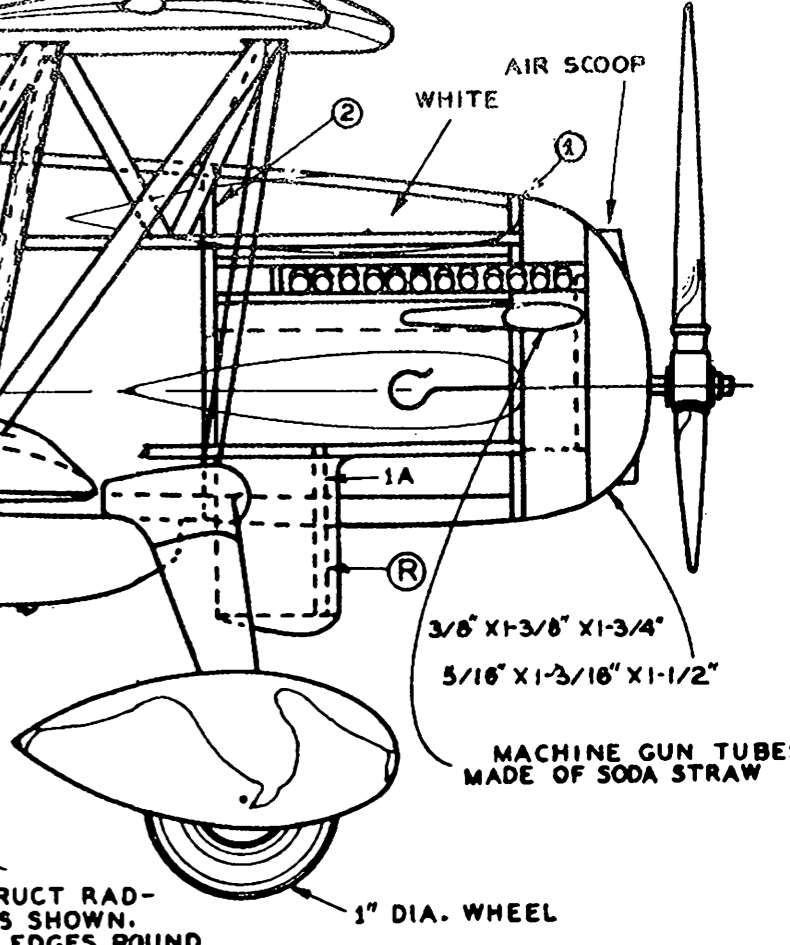


CUT FROM 1/16" SHEET Balsa

3/32" Balsa



CONSTRUCT RADIATOR AS SHOWN. SAND ALL EDGES ROUND AND CEMENT TO FORMERS 1A AND 2.



MACHINE GUN TUBES MADE OF SODA STRAW

1" DIA. WHEEL