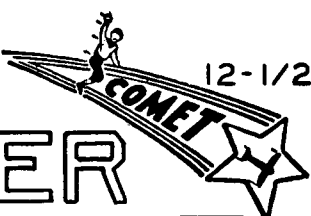


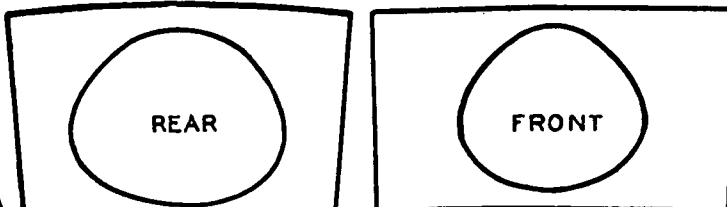
CURTISS HELL-DIVER



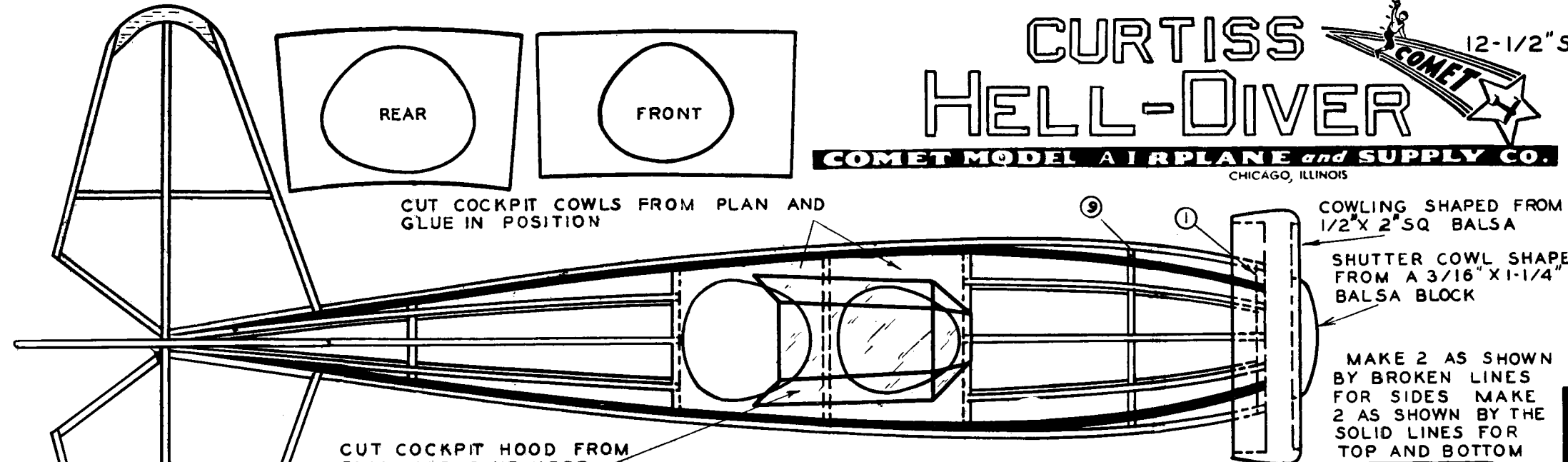
12-1/2" SPAN

COMET MODEL AIRPLANE and SUPPLY CO.

CHICAGO, ILLINOIS



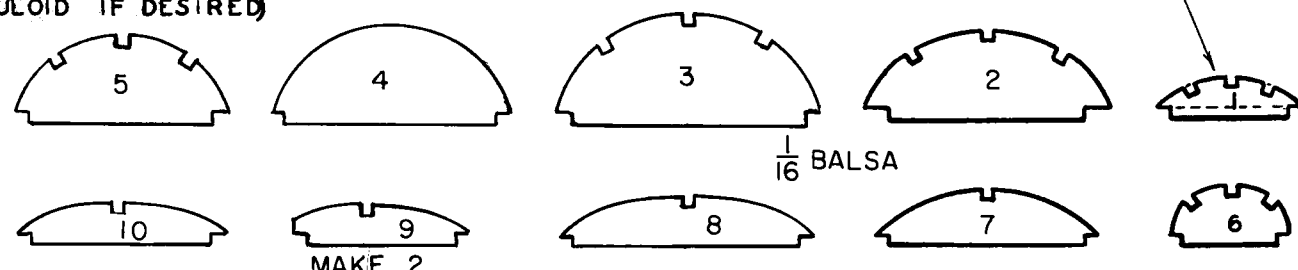
CUT COCKPIT COWLS FROM PLAN AND GLUE IN POSITION



CUT COCKPIT HOOD FROM PLAN AND GLUE HERE (MAY BE CUT OF CELLULOID IF DESIRED)

COWLING SHAPED FROM 1/2" X 2" SQ BALS
SHUTTER COWL SHAPED FROM A 3/16" X 1-1/4" SQ. BALS BLOCK

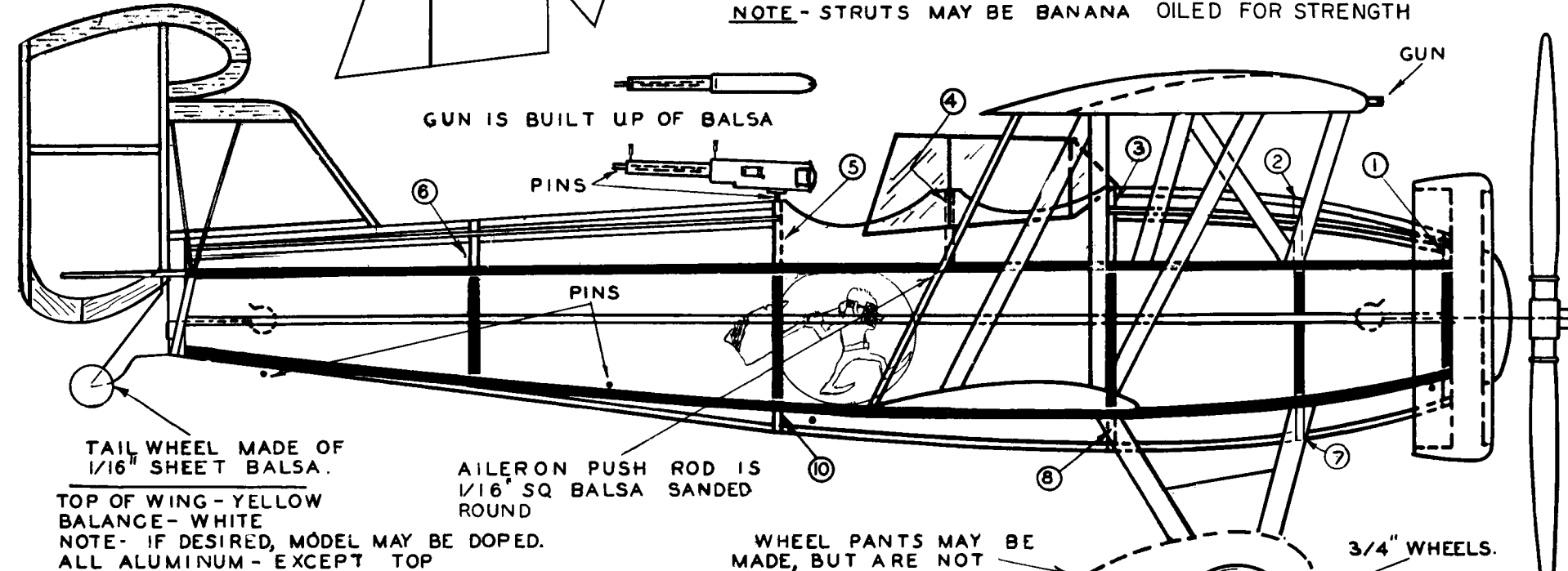
MAKE 2 AS SHOWN BY BROKEN LINES FOR SIDES MAKE 2 AS SHOWN BY THE SOLID LINES FOR TOP AND BOTTOM



1/16 BALS

MAKE 2

NOTE - STRUTS MAY BE BANANA OILED FOR STRENGTH



GUN IS BUILT UP OF BALS

PINS

PINS

AILERON PUSH ROD IS 1/16" SQ BALS SANDED ROUND

WHEEL PANTS MAY BE MADE, BUT ARE NOT FURNISHED IN KIT

3/4" WHEELS.

EXHIBITION PROP FOR FLYING USE A 4" PROPELLER

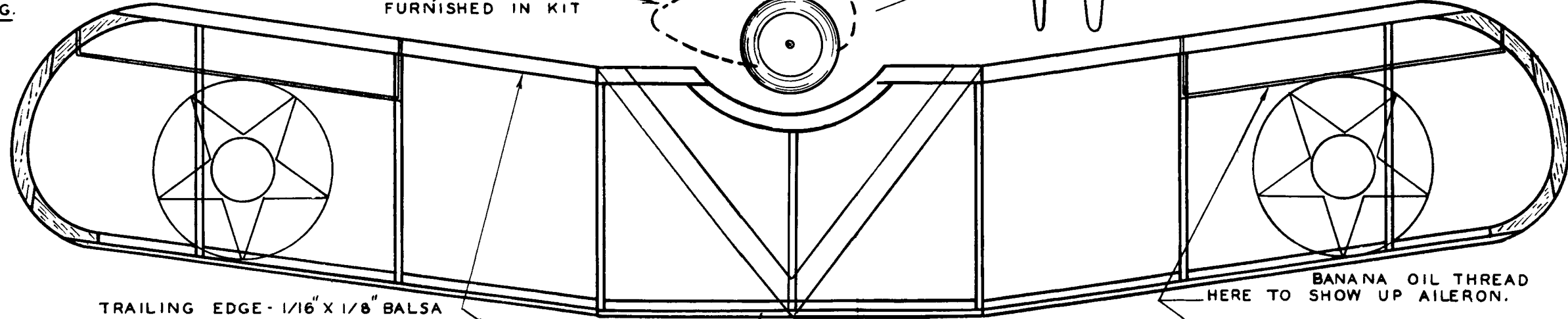
TAIL WHEEL MADE OF 1/16" SHEET BALS.
TOP OF WING - YELLOW
BALANCE - WHITE
NOTE - IF DESIRED, MODEL MAY BE DOPED.
ALL ALUMINUM - EXCEPT TOP OF UPPER WING.



TRAILING EDGE DETAIL

LEADING EDGE OF WING SANDED ROUND.

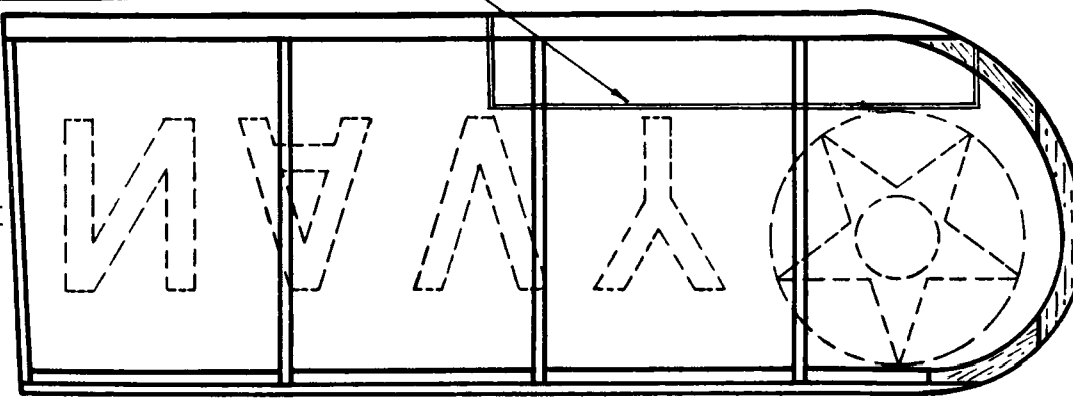
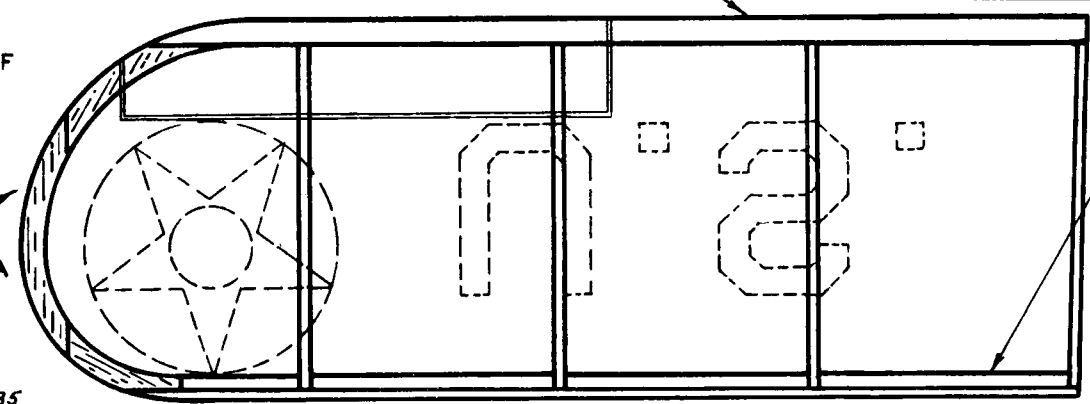
1/16" SHEET BALS



TRAILING EDGE - 1/16" X 1/8" BALS

BANANA OIL THREAD HERE TO SHOW UP AILERON.

3/32" SQ. LEADING EDGE



CUT BARS FROM PLAN AND STICK TO TOP OF UPPER WING

THREAD BRACES

PITOT TUBE BENT FROM PINS.

STREAMLINE ALL STRUTS.

CUT LETTERS FROM PLAN AND STICK TO BOTTOM OF LOWER WING.

SHUTTER OPENINGS DRAWN ON.
ALL STRUTS 1/16" X 1/8" BALS.

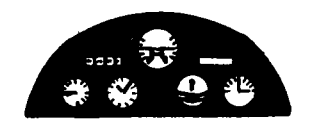
PIN BENT TO FORM AXLE

CUT MOTOR DESIGN FROM PLAN AND STICK TO COWLING.

U.S. NAVY

MAKE 14

MAKE 1



CUT FROM PLAN AND GLUE TO FORMER 3