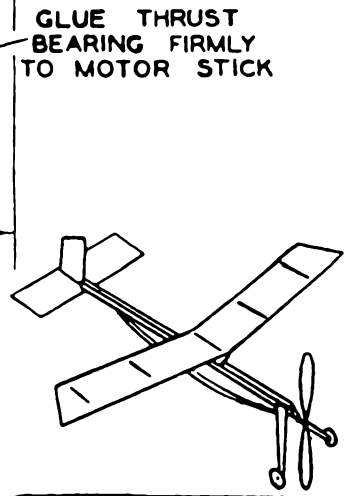
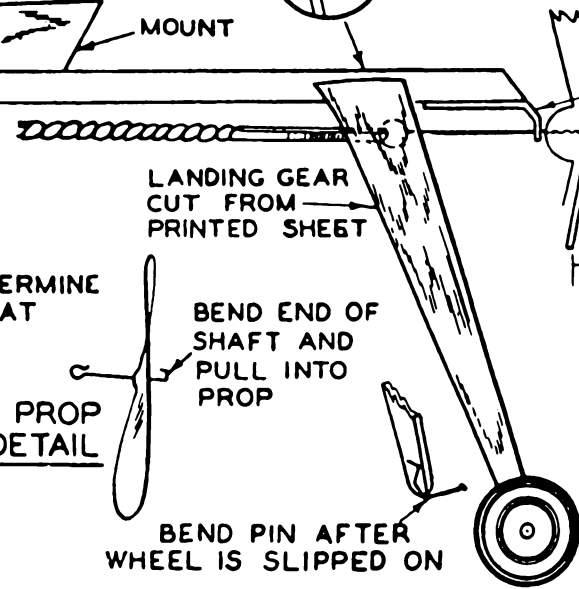
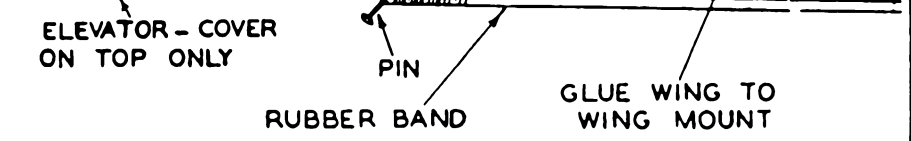
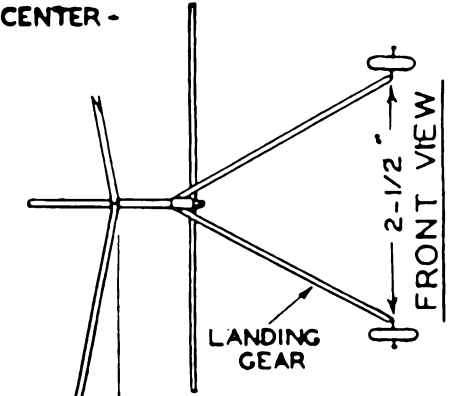
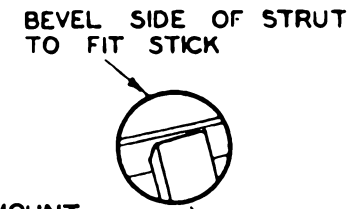
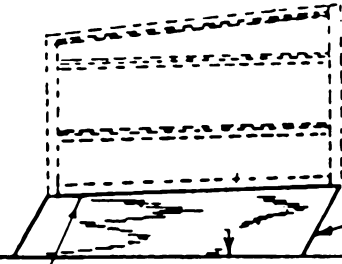
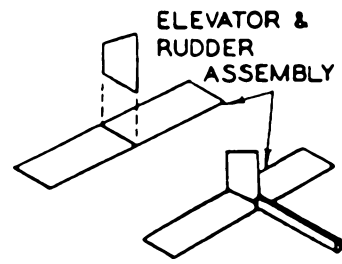
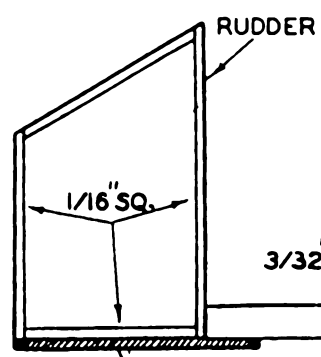
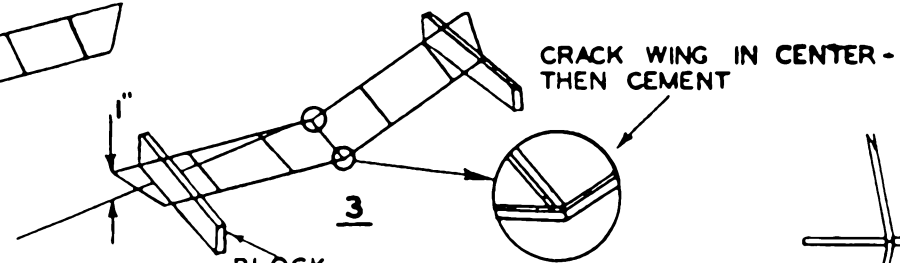
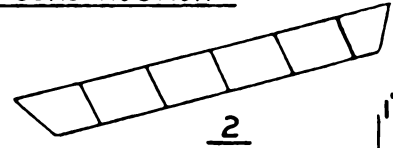
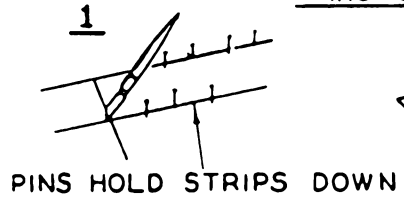
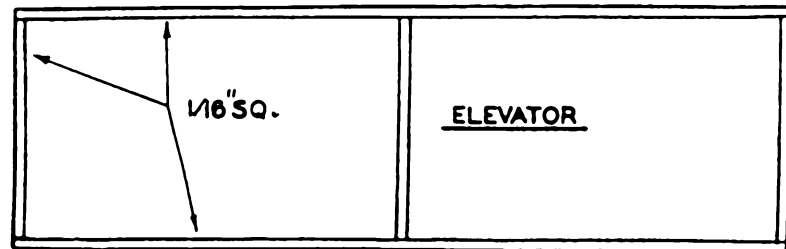


WING CONSTRUCTION



NOTE: BALANCE COMPLETED MODEL WITHOUT WING TO DETERMINE POSITION OF MOUNT, THEN GLUE ON MOUNT WITH ARROW AT BALANCING POINT



BABY R.O.G.
 WING SPAN 10" LENGTH 7-1/2"
 DRAWN BY *P. Russo* KIT NO. W1