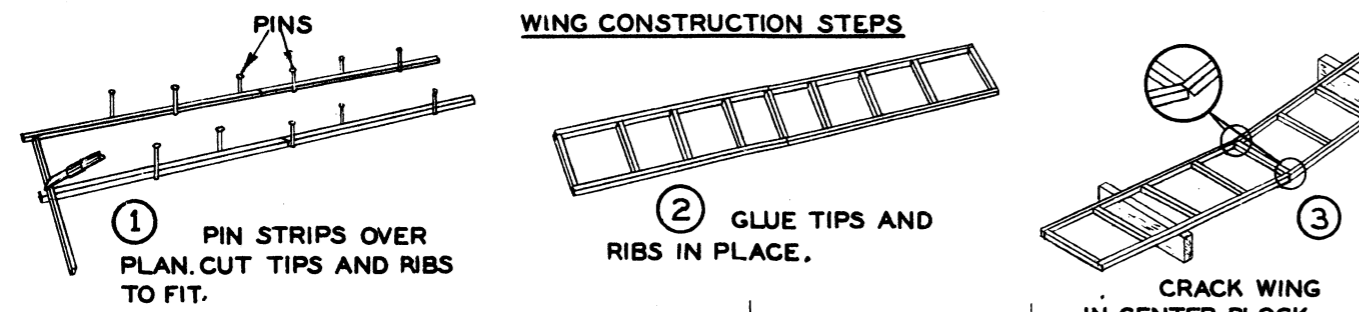
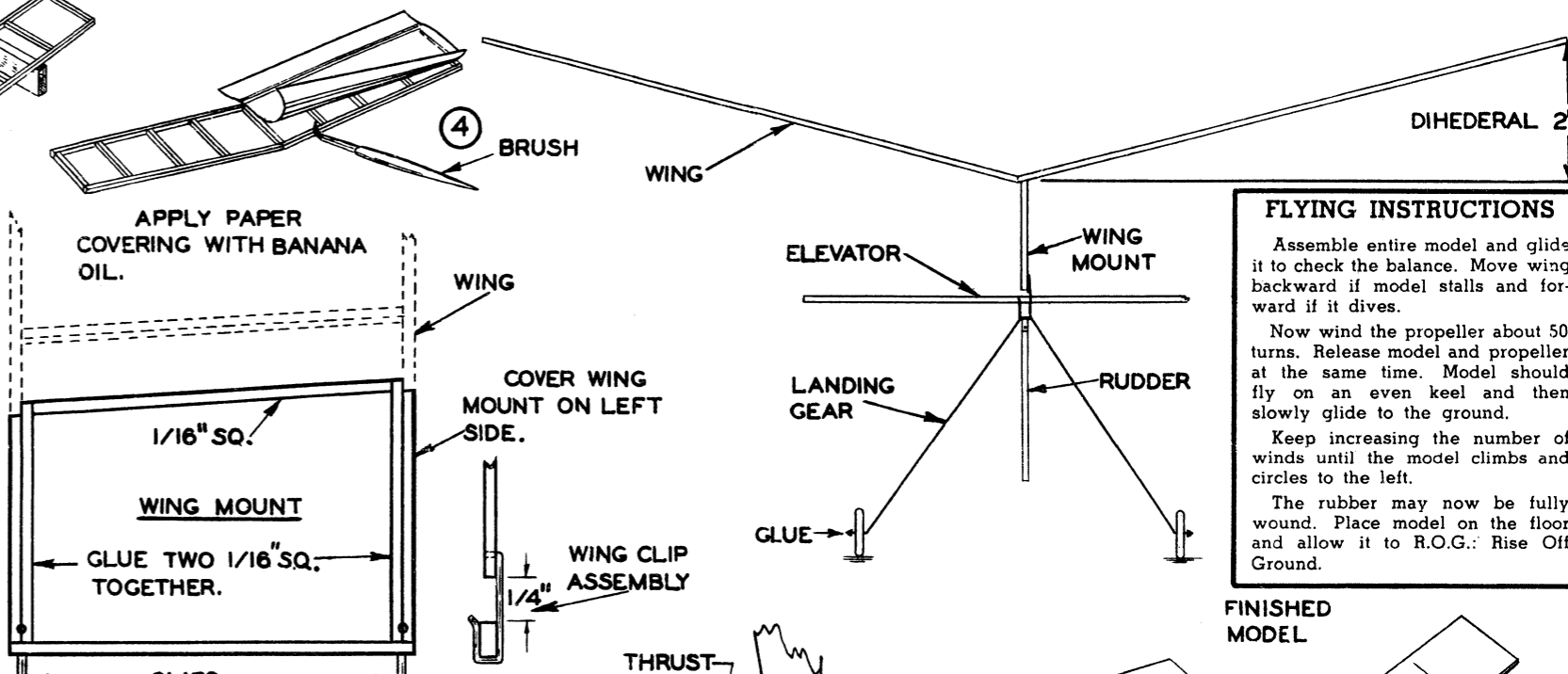


**COVERING HINTS**  
 CUT TISSUE SLIGHTLY LARGER THAN PANEL BEING COVERED. IT IS ONLY NECESSARY TO HAVE TISSUE STICK TO OUTER EDGES OF FRAMEWORK. BANANA LIQUID MAY BE USED FOR AN ADHESIVE INSTEAD OF GLUE, IF DESIRED.

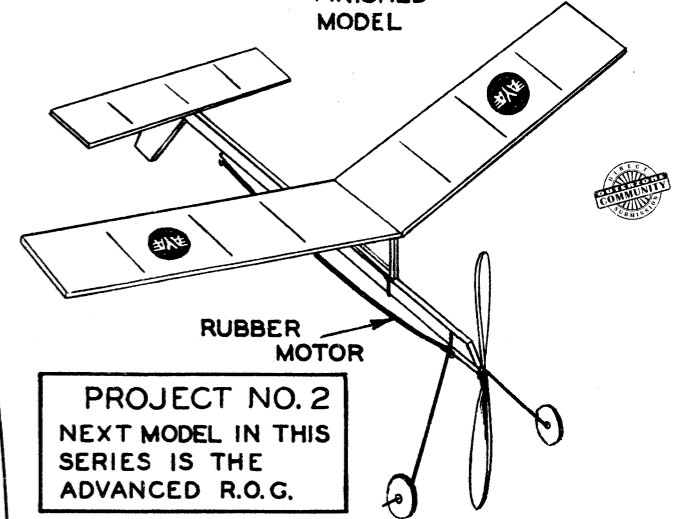
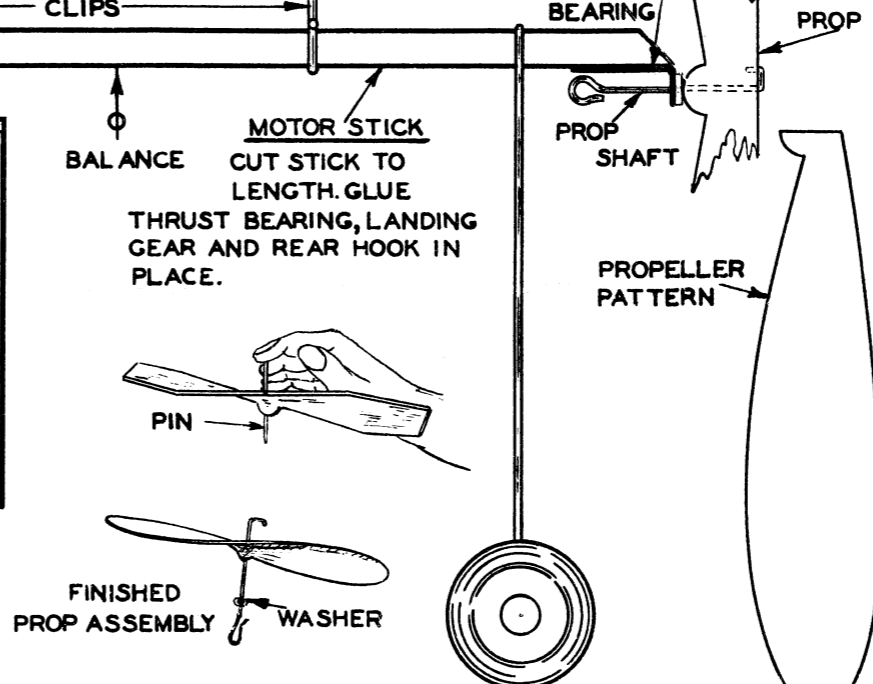
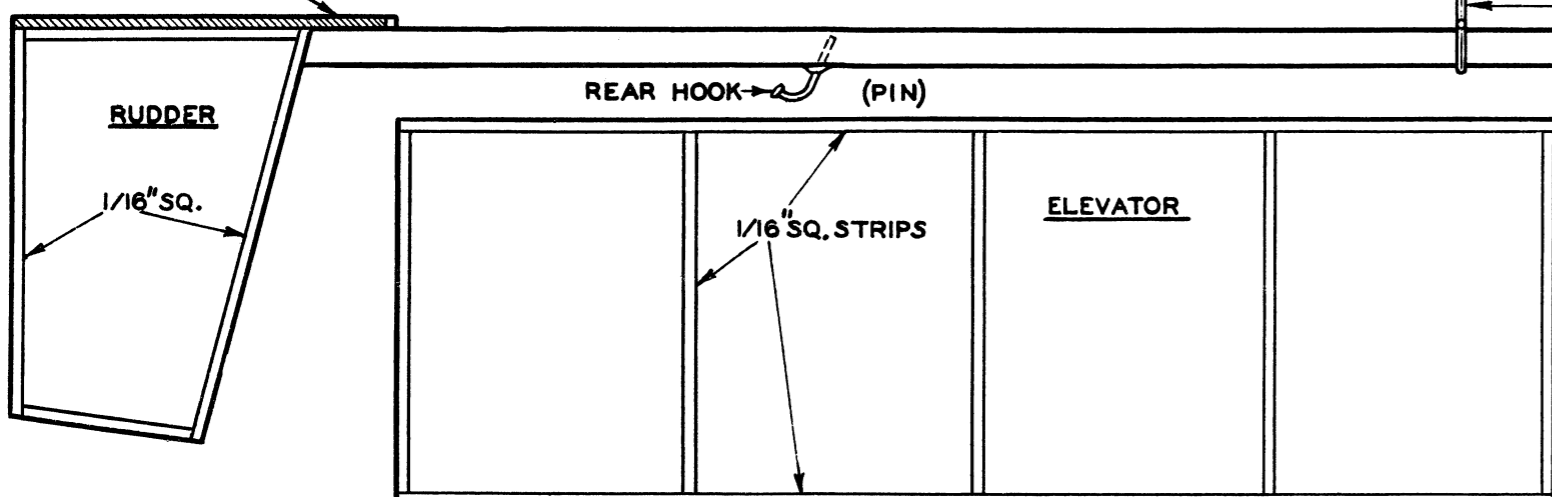
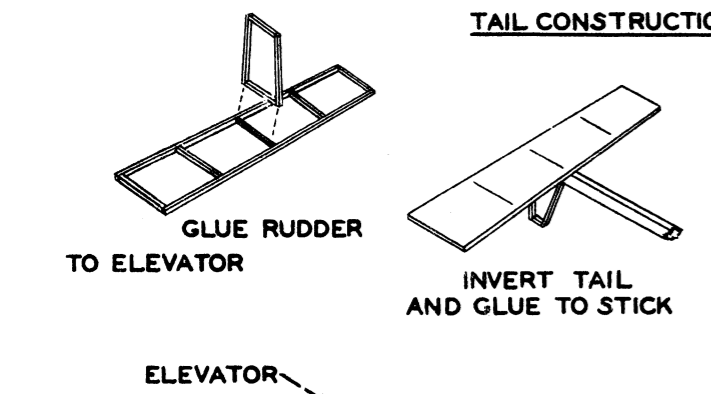
**WING CONSTRUCTION STEPS**



**CONSTRUCT ALL PARTS OVER PLAN**

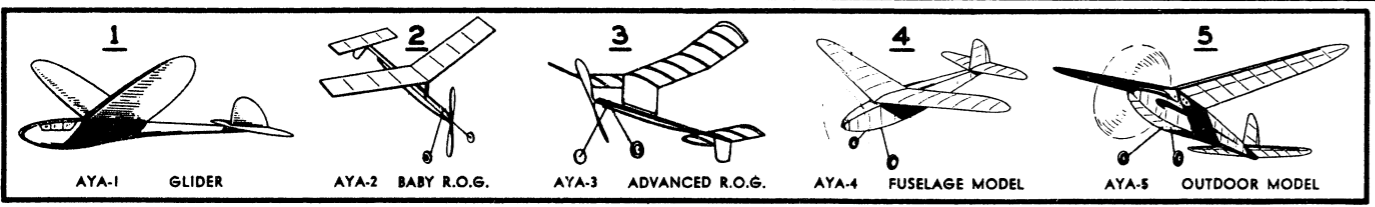


**FLYING INSTRUCTIONS**  
 Assemble entire model and glide it to check the balance. Move wing backward if model stalls and forward if it dives.  
 Now wind the propeller about 50 turns. Release model and propeller at the same time. Model should fly on an even keel and then slowly glide to the ground.  
 Keep increasing the number of winds until the model climbs and circles to the left.  
 The rubber may now be fully wound. Place model on the floor and allow it to R.O.G.: Rise Off Ground.



**PROJECT NO. 2**  
 NEXT MODEL IN THIS SERIES IS THE ADVANCED R.O.G.

THE DESIGN OF THIS BABY R.O.G. HAS BEEN APPROVED BY THE AIR YOUTH OF AMERICA.



**AYE AIR YOUTH OF AMERICA**

**BABY R.O.G.**

SPAN 16"	LENGTH 12"
KIT NO. AYA 2	DRAWN BY SIO. AARLROD