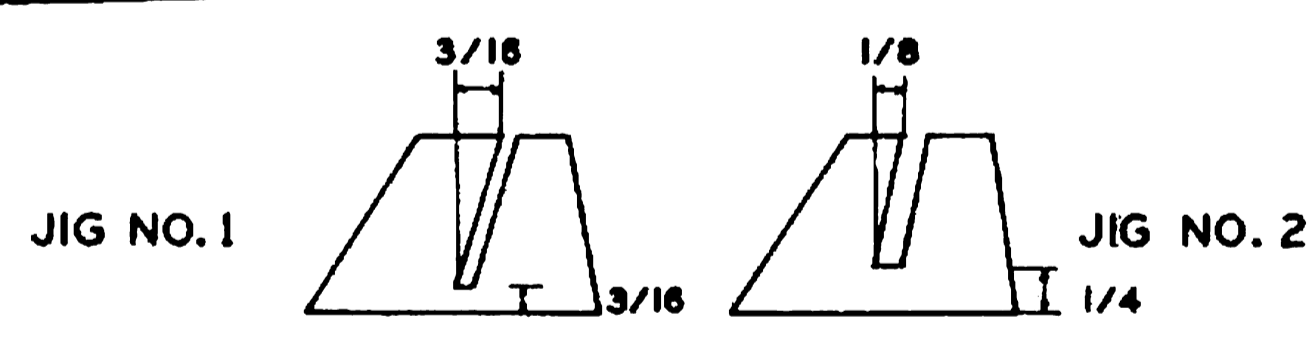
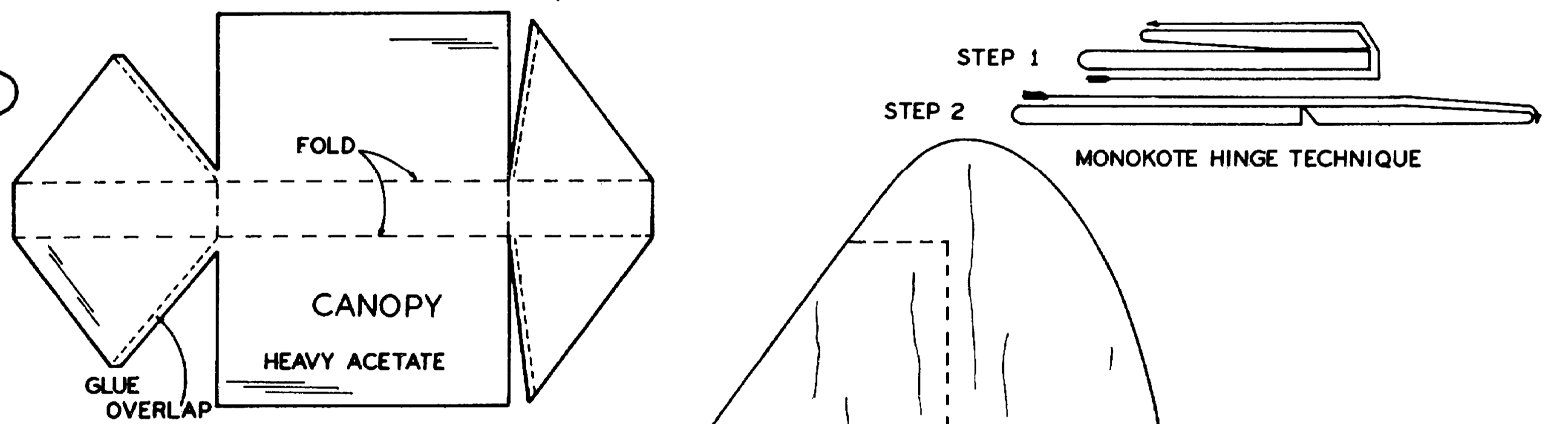
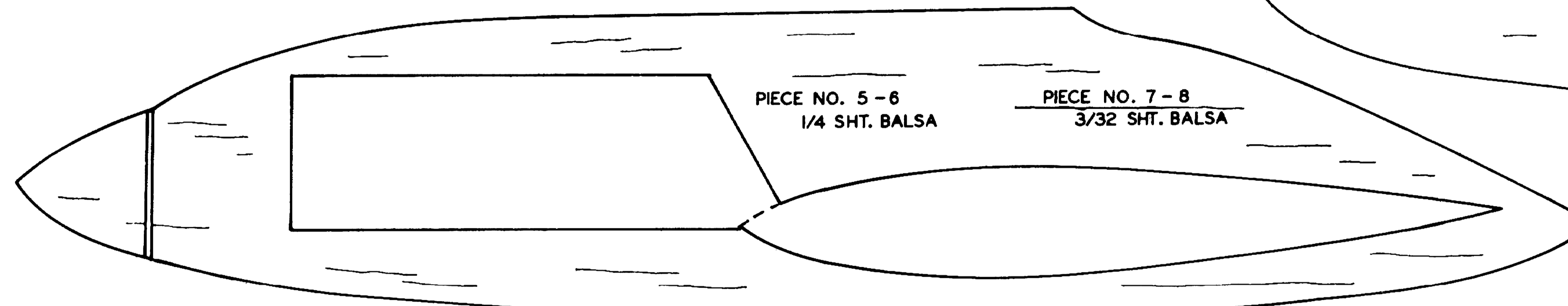
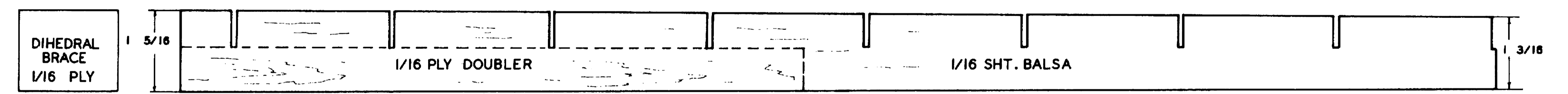
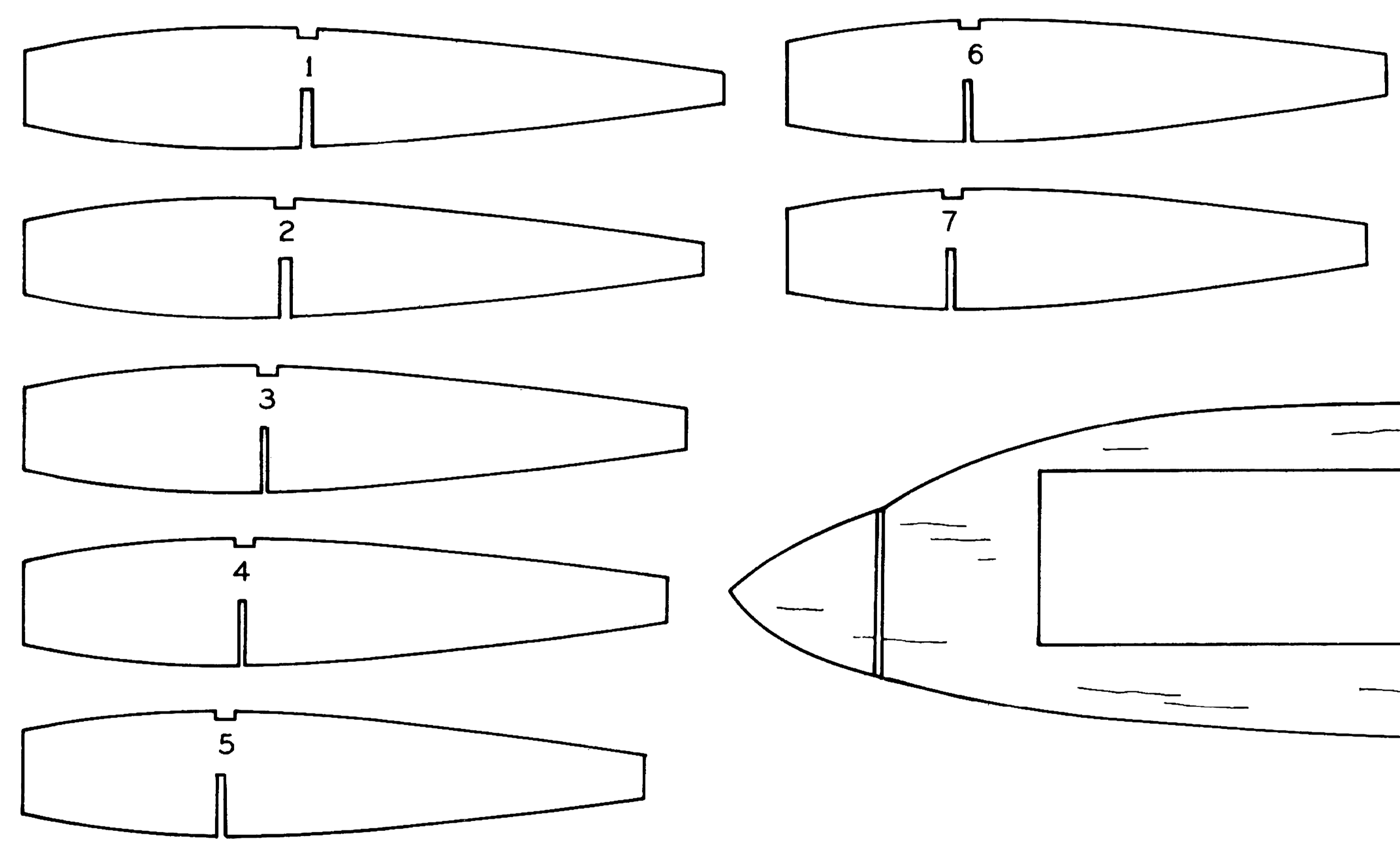
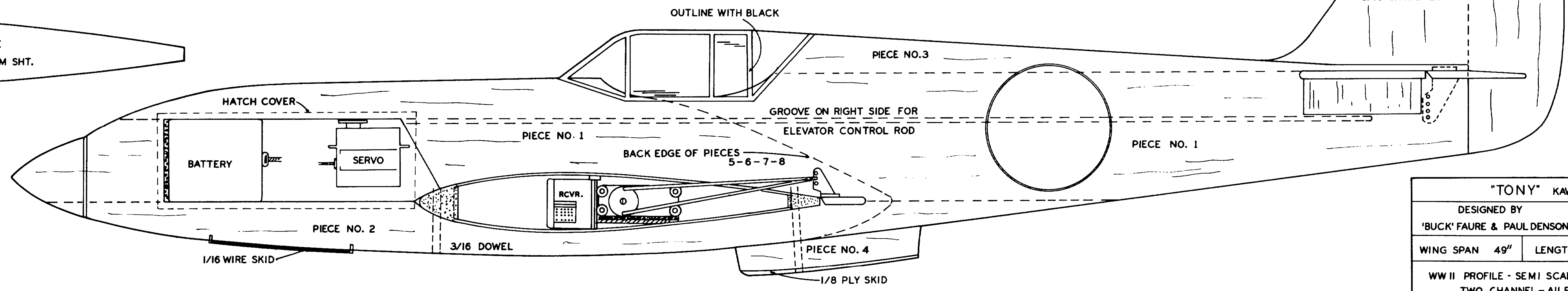


WING RIBS 1/16 BALS



WING RIB TEMPLATE
SHAPE FROM ALUMINUM SHT.



"TONY" KAWASAKI KI-61 HEIN		
DESIGNED BY "BUCK" FAURE & PAUL DENSON		DRAWN & INKED PAUL DENSON
WING SPAN 49"	LENGTH 37"	WING AREA 525 SQ. IN.
WW II PROFILE - SEMI SCALE - FULL STUNT R/C GLIDER TWO CHANNEL - AILERONS AND ELEVATOR		