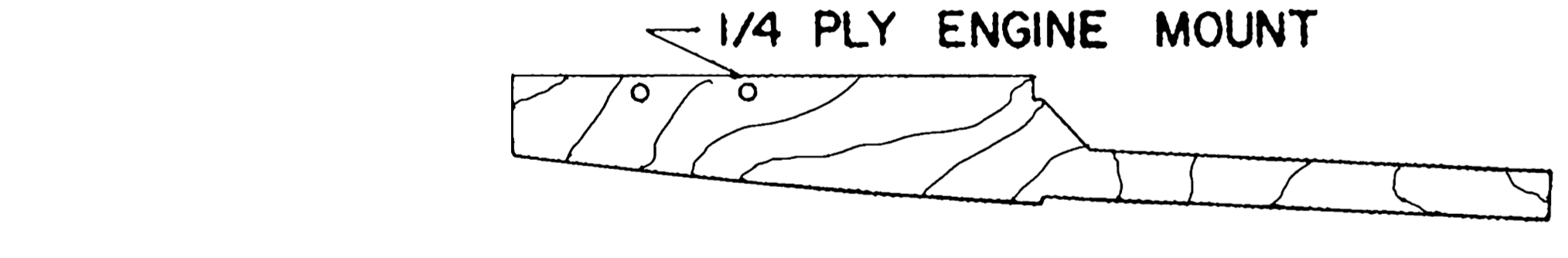
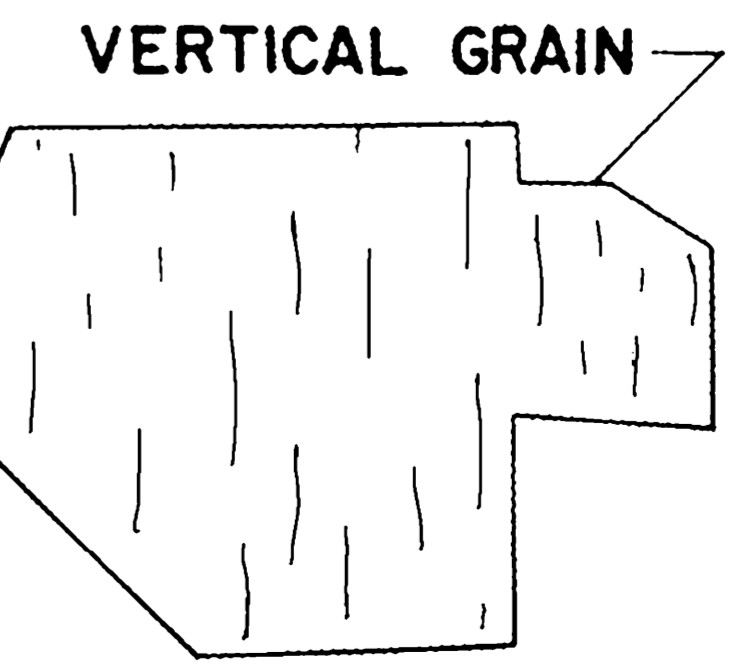
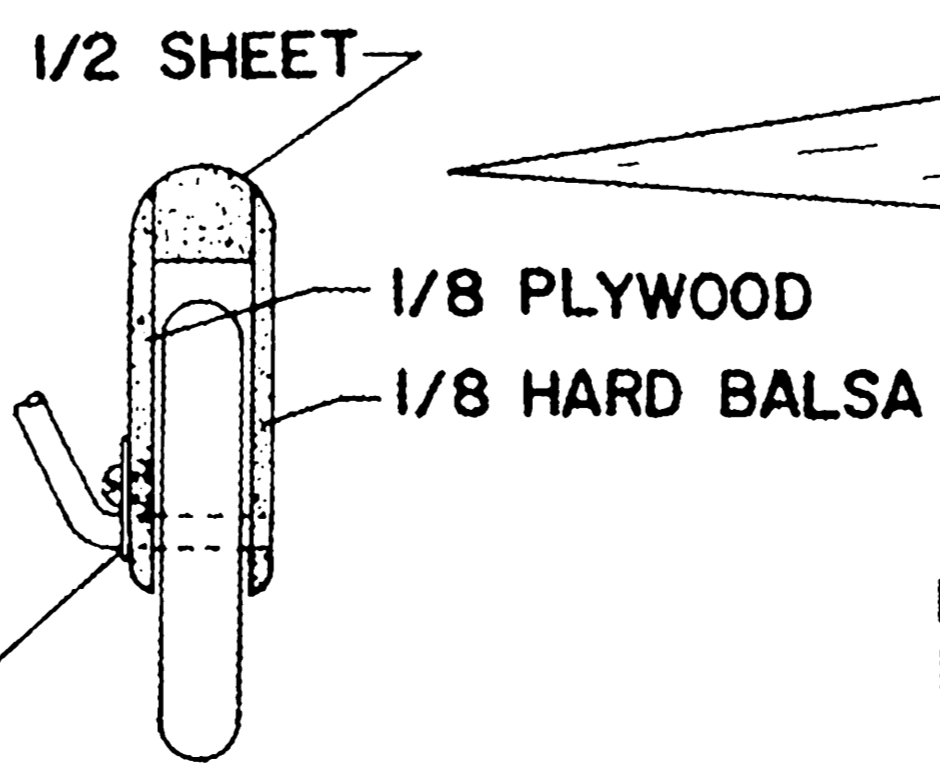
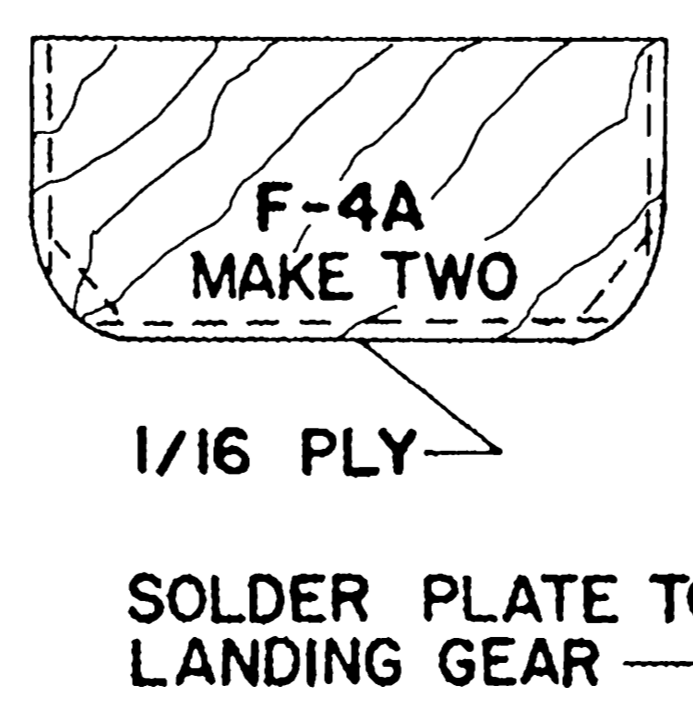
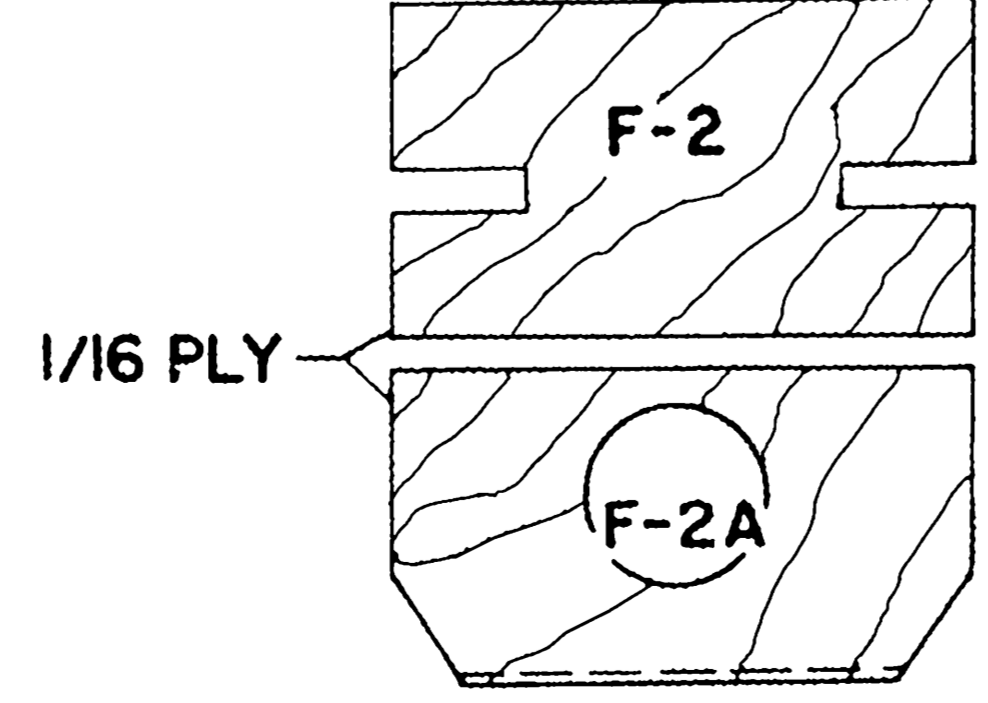
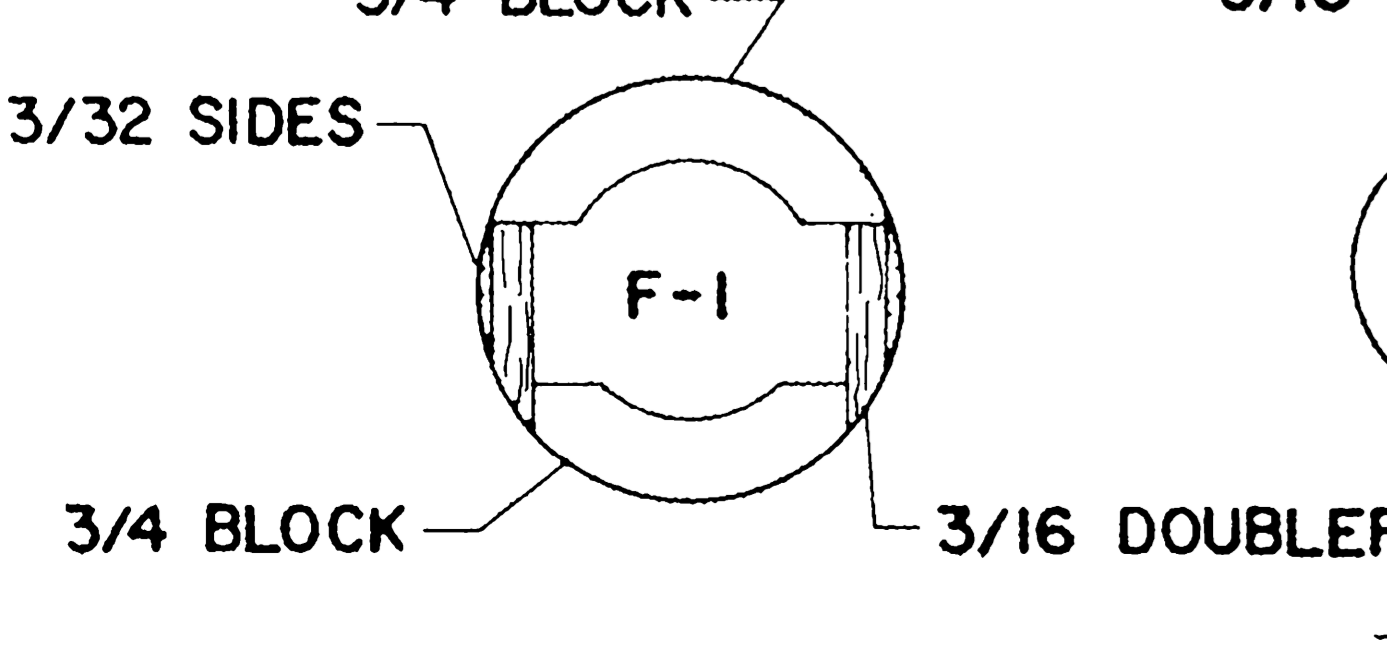


DESIGN WEIGHT  
MIN. 5 LBS. 0 OZ.  
MAX. 5 LBS. 8 OZ.

<b>TARDON II</b>	
DESIGNED BY JACK SABINE BRUCE LUND	DRAWN & INKED BY BRUCE LUND

SUB FIN DETAIL  
CONTROL MOVEMENT  
ELEVATOR 1/8 UP - 1/8 DOWN  
RUDDER 3/8 RIGHT - 3/8 LEFT  
AILERON 3/32 UP - 3/32 DOWN



K & B 40 REAR ROTOR MOUNT INVERTED

2 1/4 SPINNER

