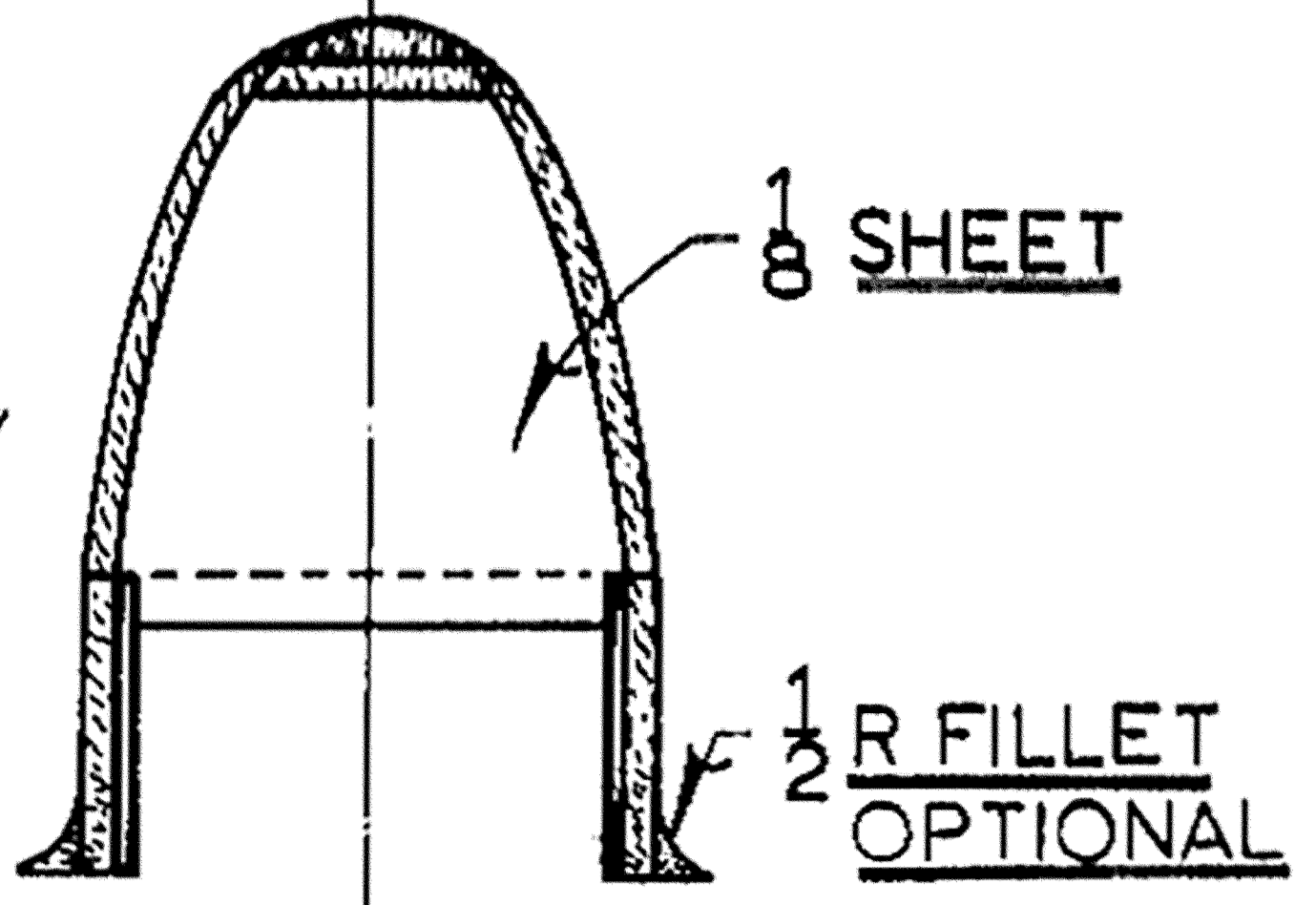
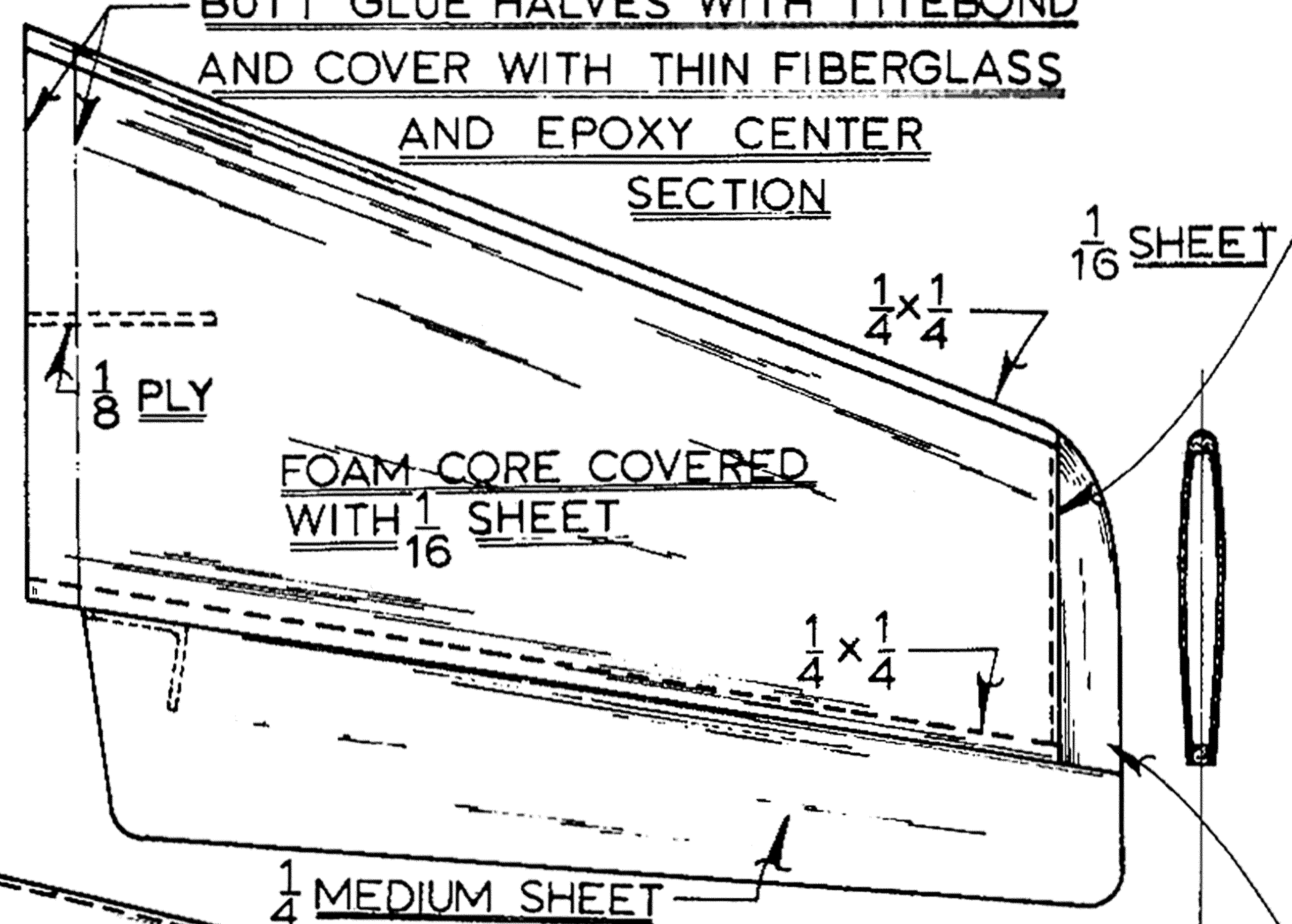
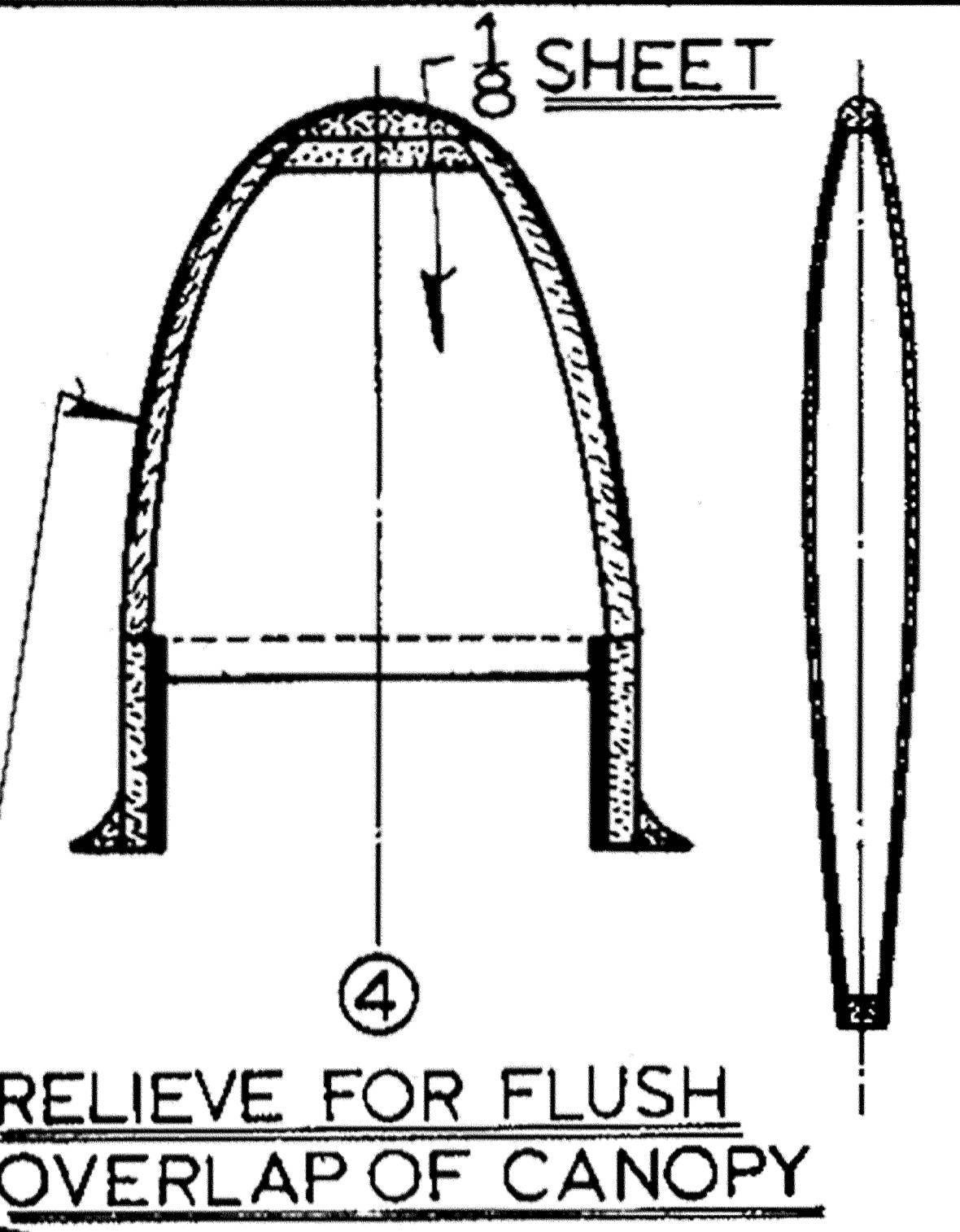
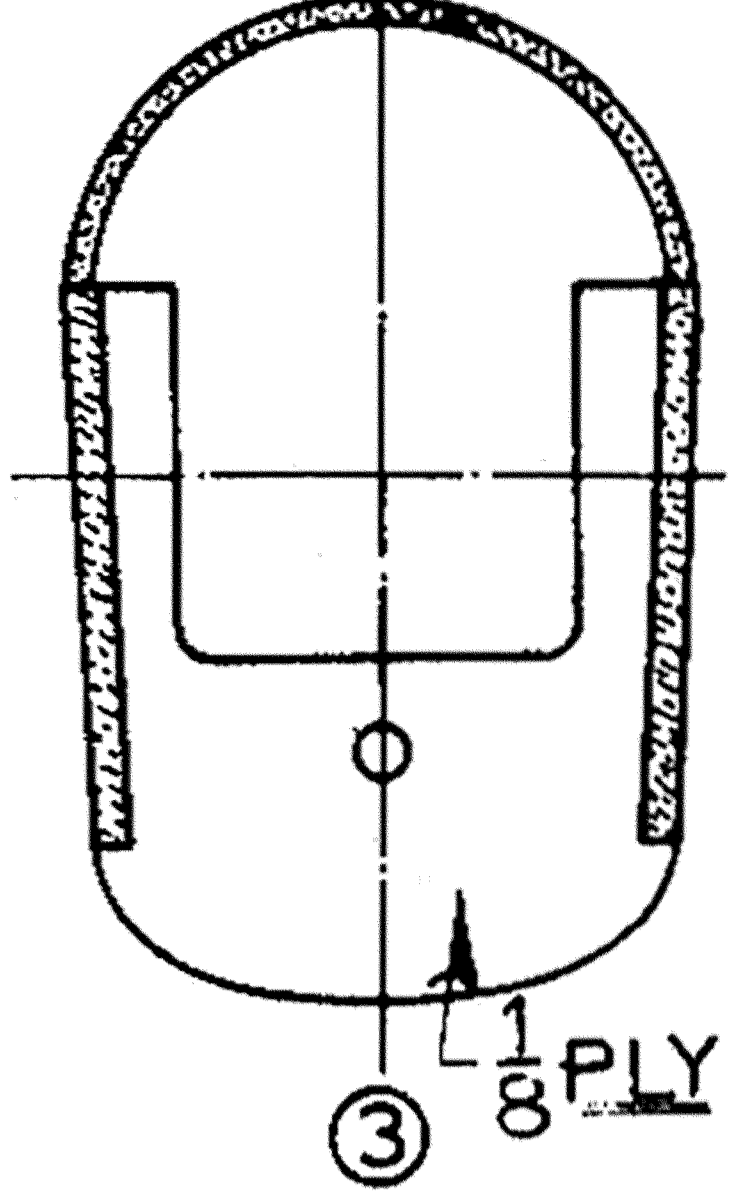
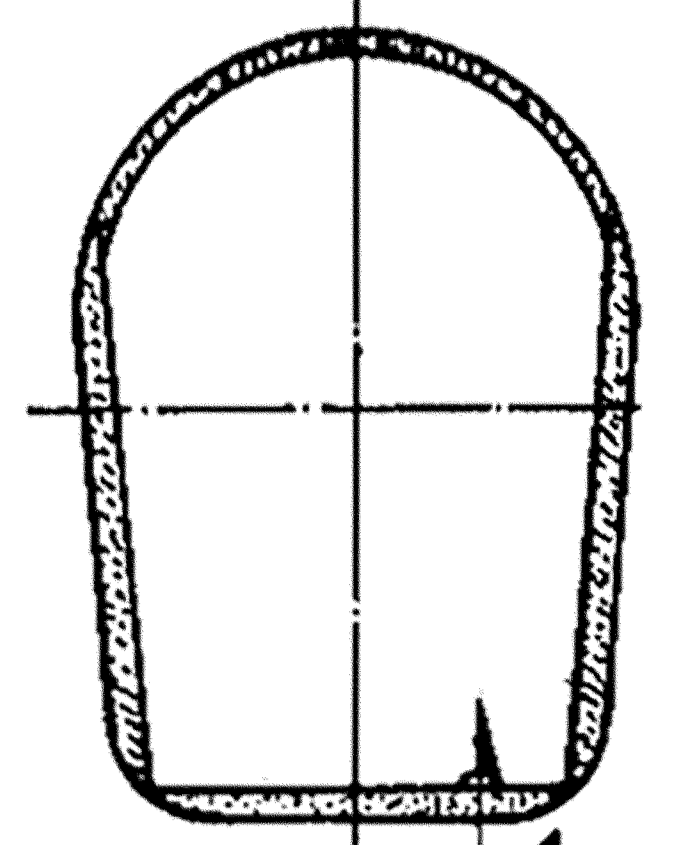
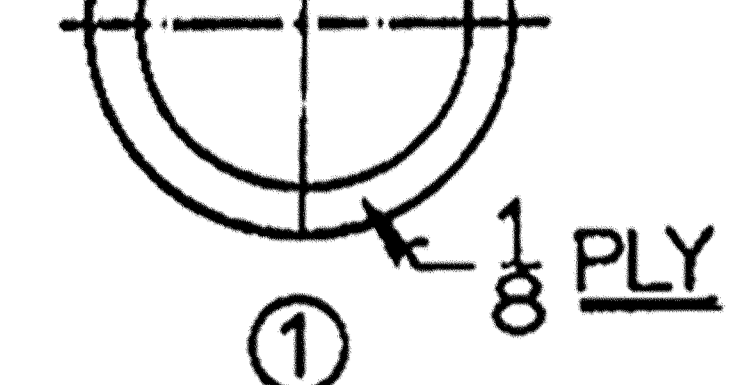


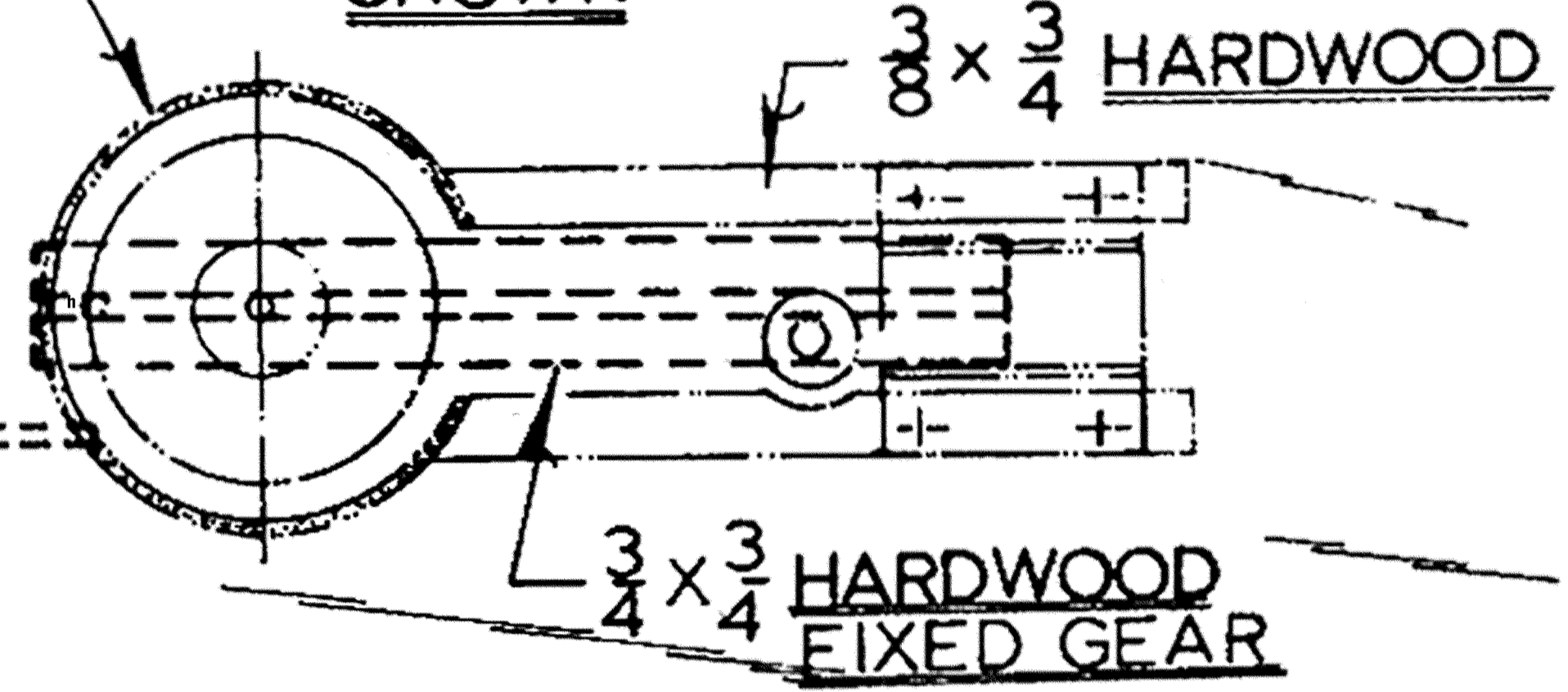
BUTT GLUE HALVES WITH "TITEBOND" & WRAP CENTER SECTION WITH FIBERGLASS & EPOXY

BUTT GLUE HALVES WITH TITEBOND AND COVER WITH THIN FIBERGLASS AND EPOXY CENTER SECTION

1/4 DIA. ALUM. DOWEL

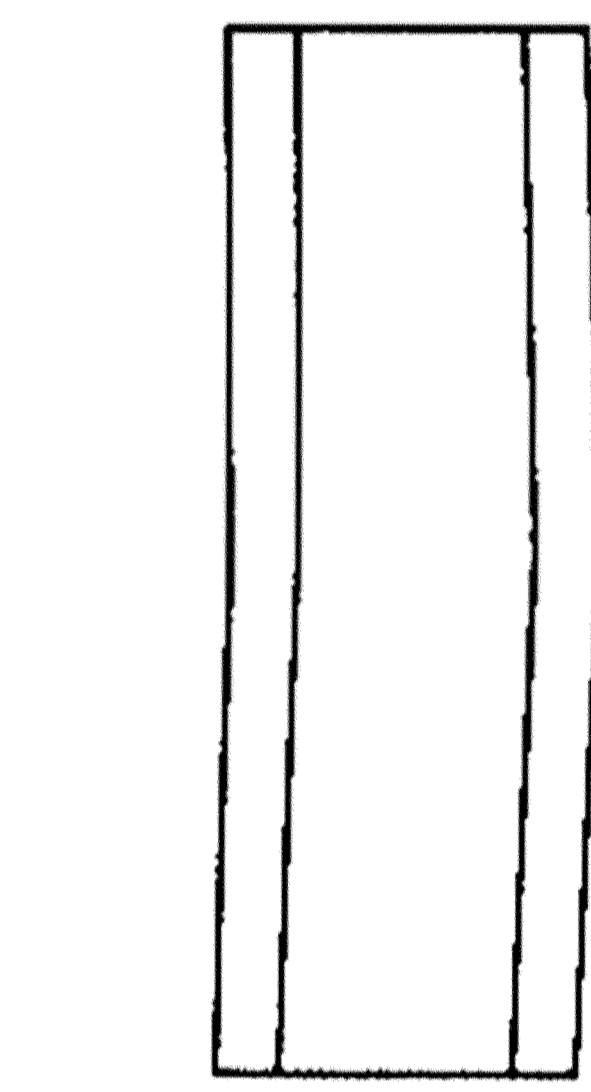


"KDH" RETRACTS SHOWN

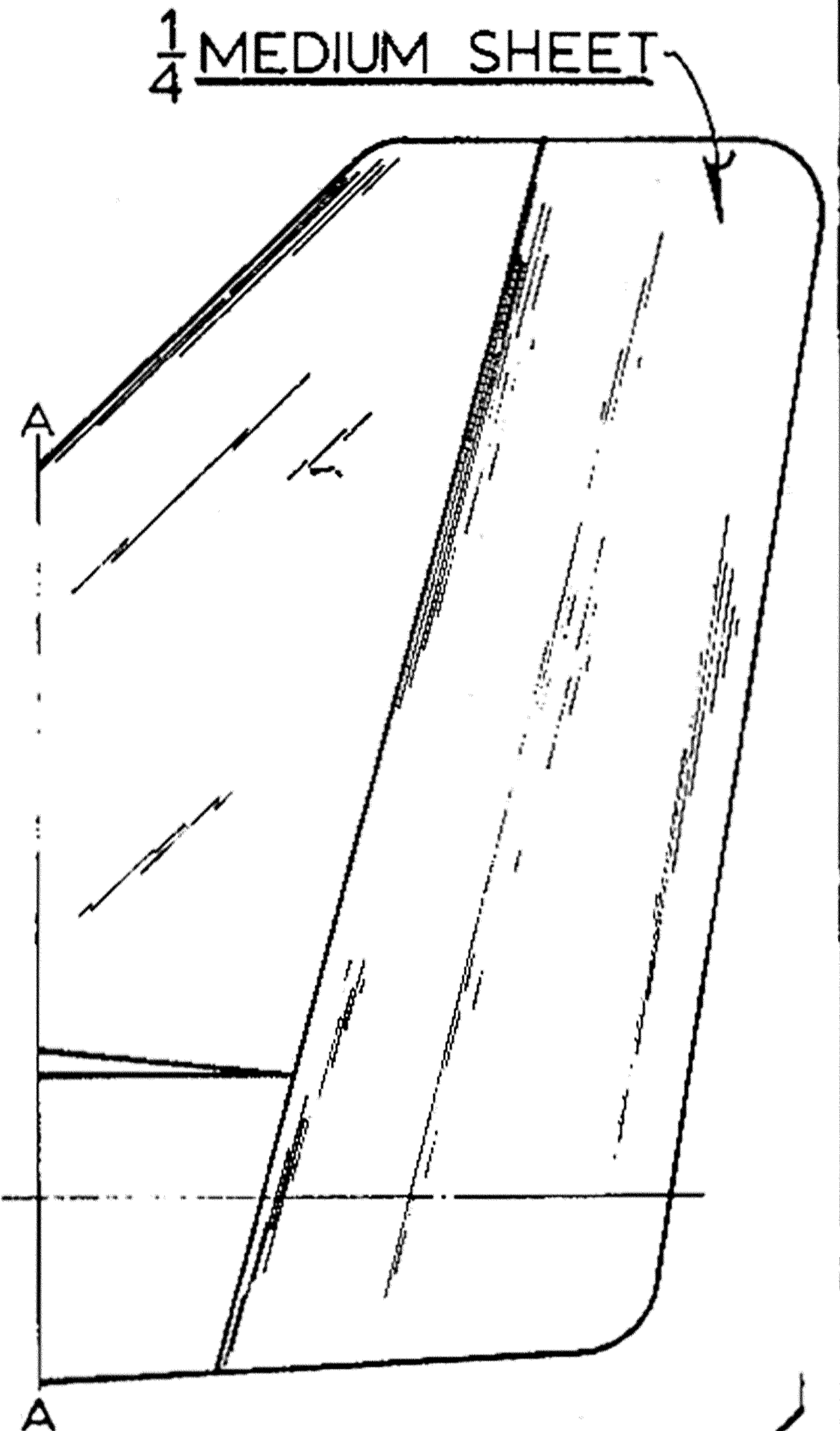


FOAM CORE COVERED WITH 1/16 SHEET

SOFT BLOCK



WING DIHEDRAL BRACES



TATONE MOUNT ZERO-ZERO OFFSET MAKE SURE MOUNT IS TRUE

DUBRO STYLE 5 - 14 1/2" CUT TO SUIT SOFT BLOCK

"KDH" RETRACTS SHOWN USE (2) ALUM. DOWELS AND RELIEVE CENTER SECTION OF WING AS SHOWN

Scanning by 50+ Air Years.

Restored and Scaling by Hlsat. Free download plan.

**PHOENIX 5**  
 DESIGNED BY DON T. LOWE  
 DRAWN & INKED BY AL ZELENAK  
 AMERICAN AIRCRAFT MODELER

DIHEDRAL IS 1" UNDER EACH WING TIP  
 WING AREA = 640 IN<sup>2</sup>  
 WEIGHT = 6 1/2 TO 7 LBS

FORMERS 7, 8, 9 = 1/8 SHEET