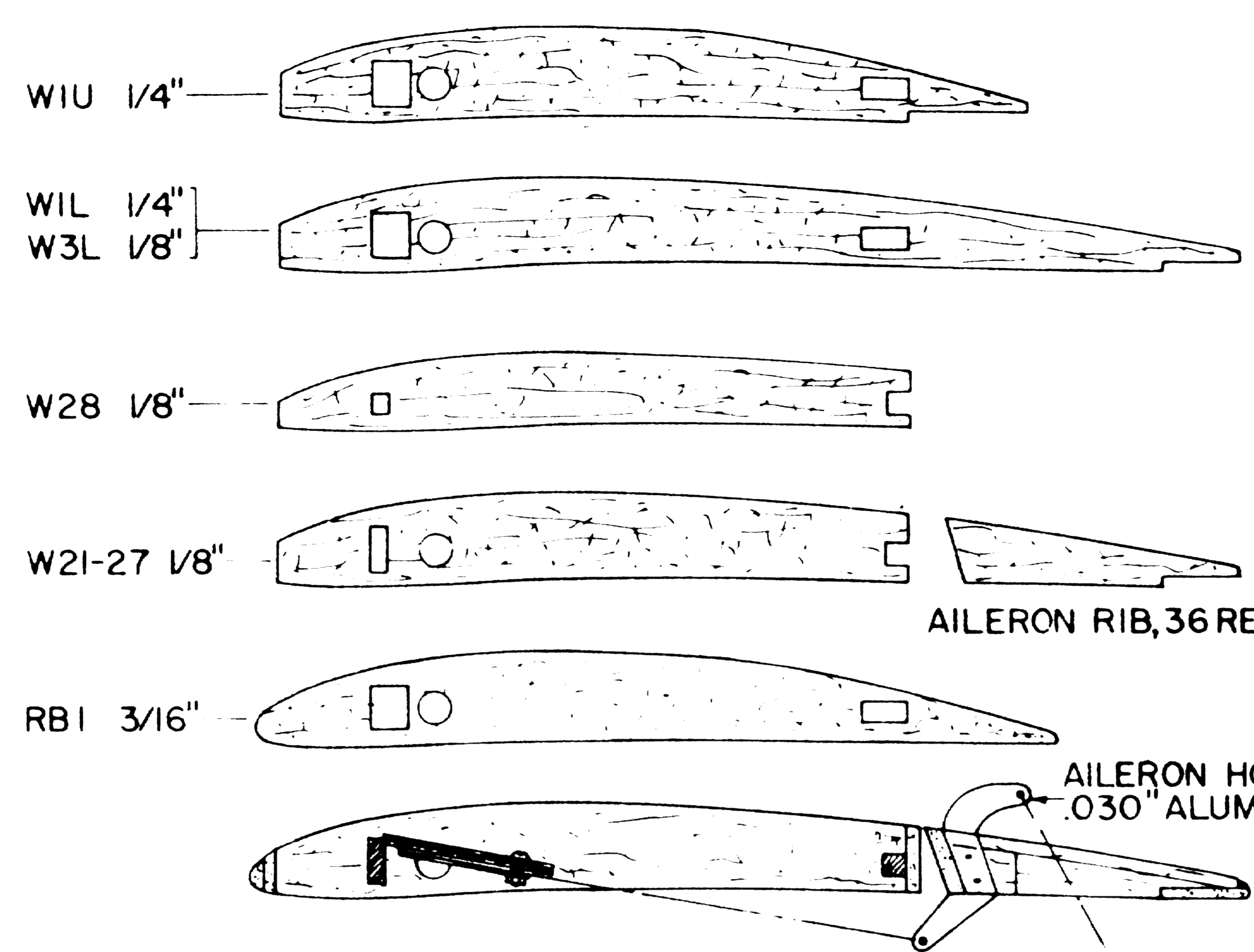
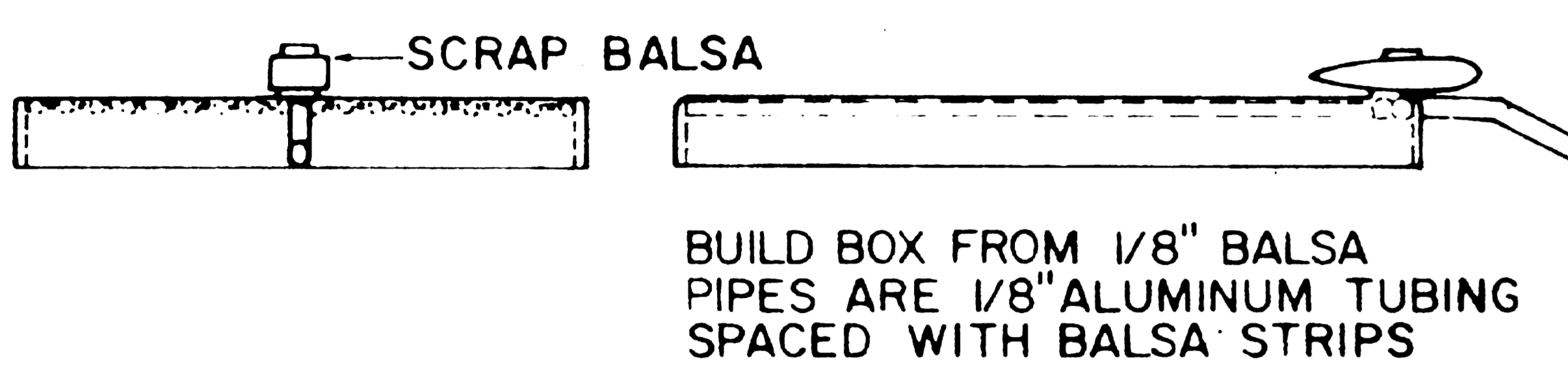
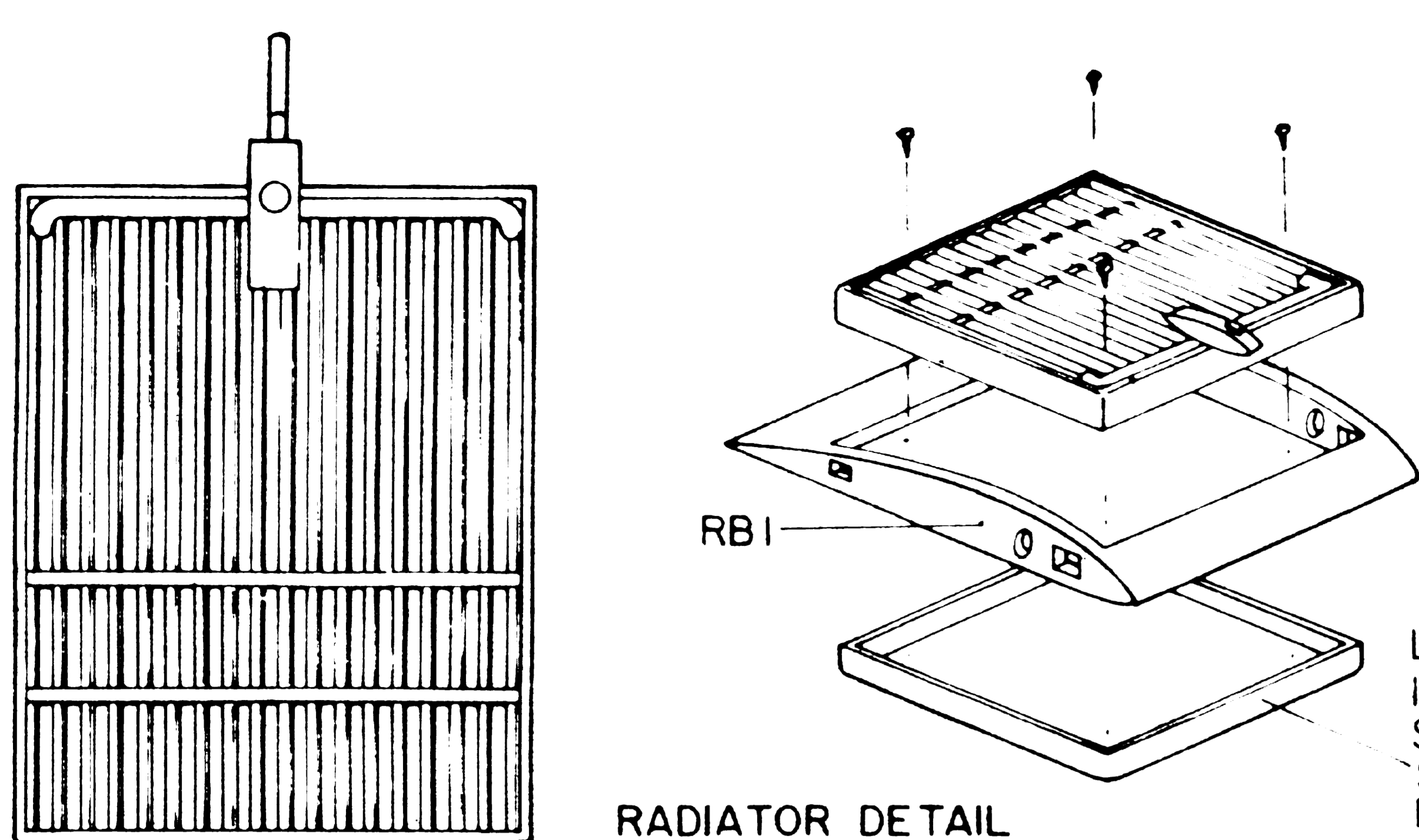
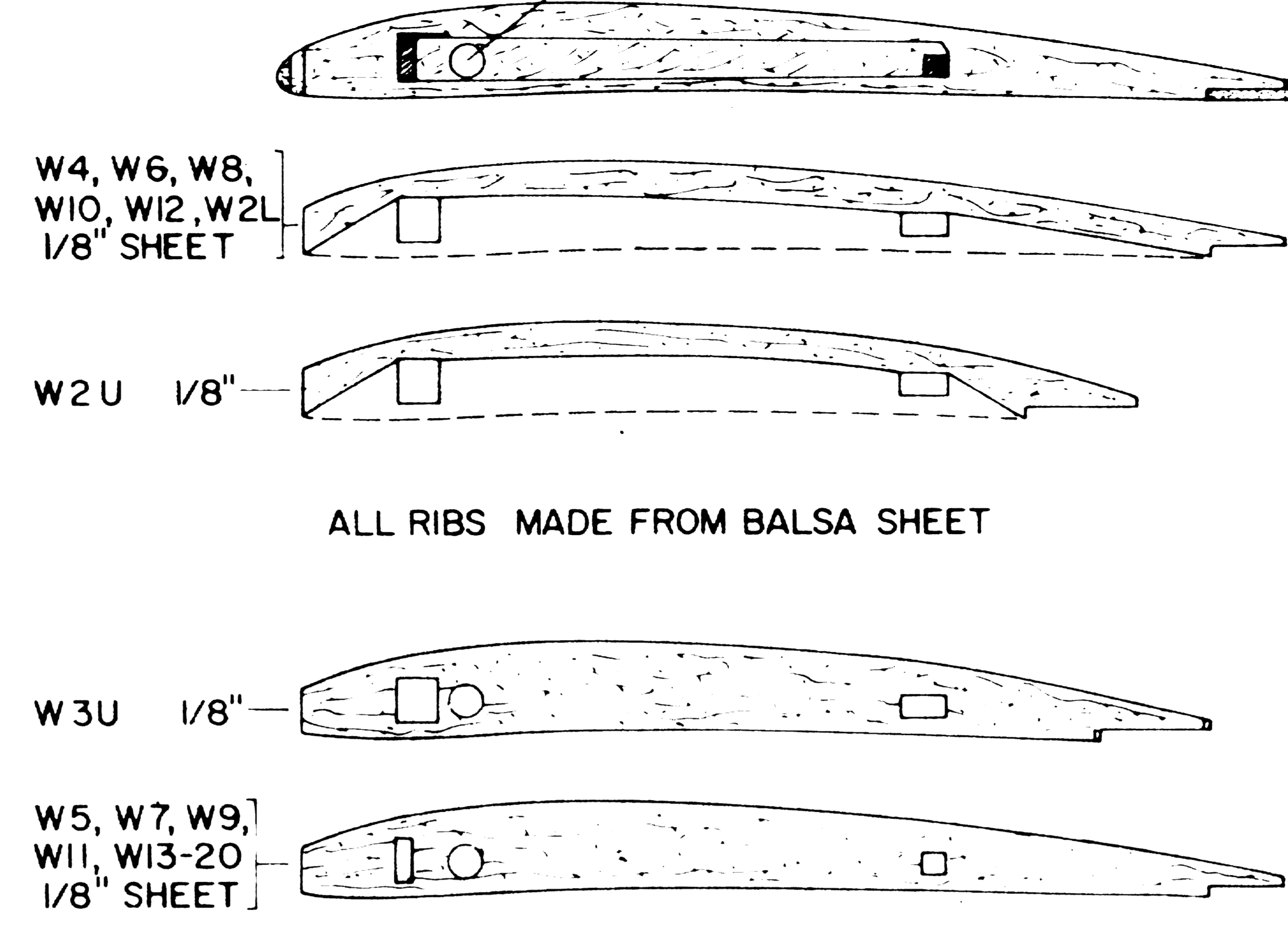


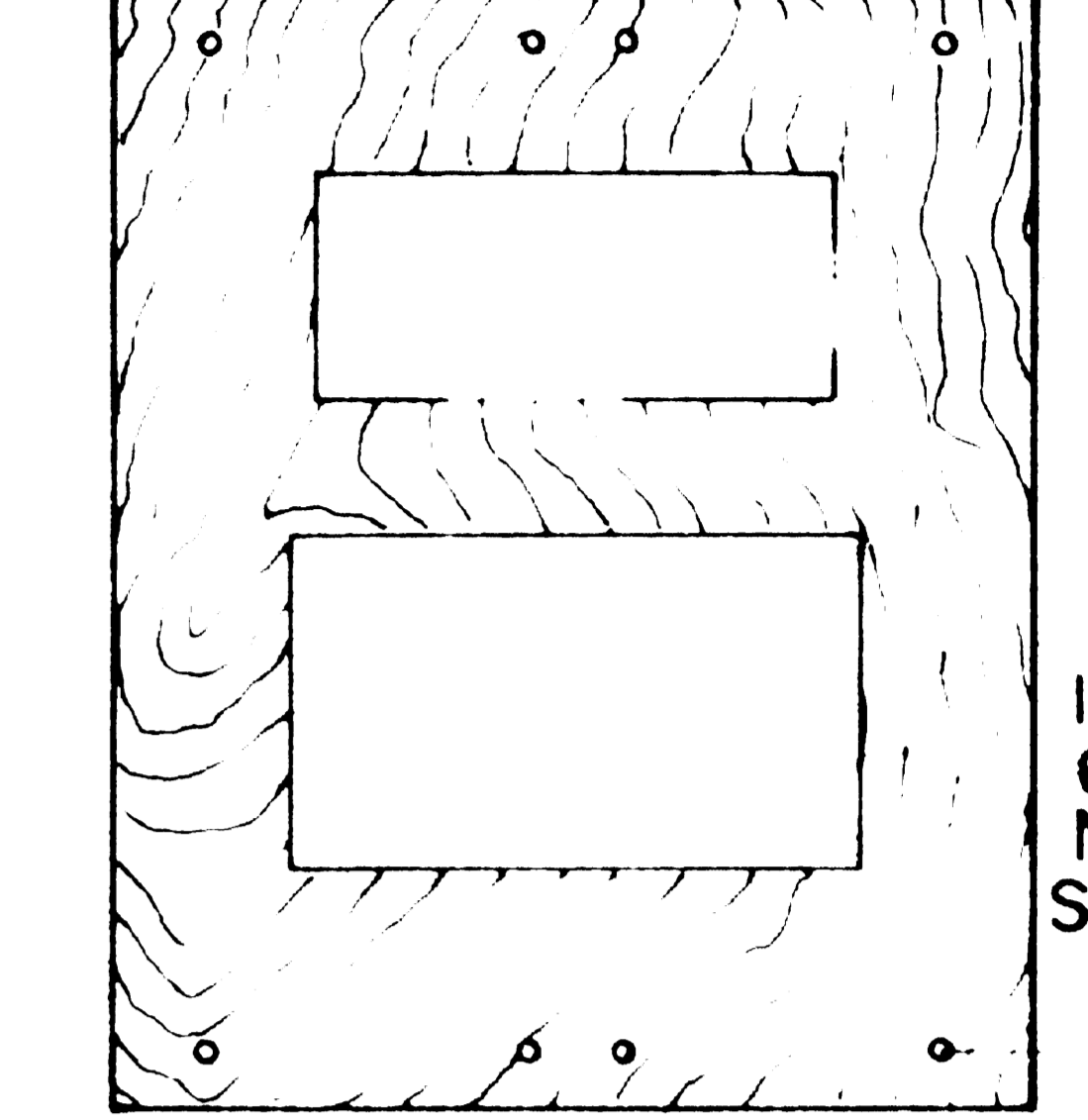
PACKARD-LEPERE
L.U.S.A.C. 11 1918
 SCALE 2"=1" *Floyd E. Carter*
 DESIGNED BY: FLOYD E. CARTER
 INKED BY: M.B. GROVES, APRIL 1974
 SHEET 1 OF 2



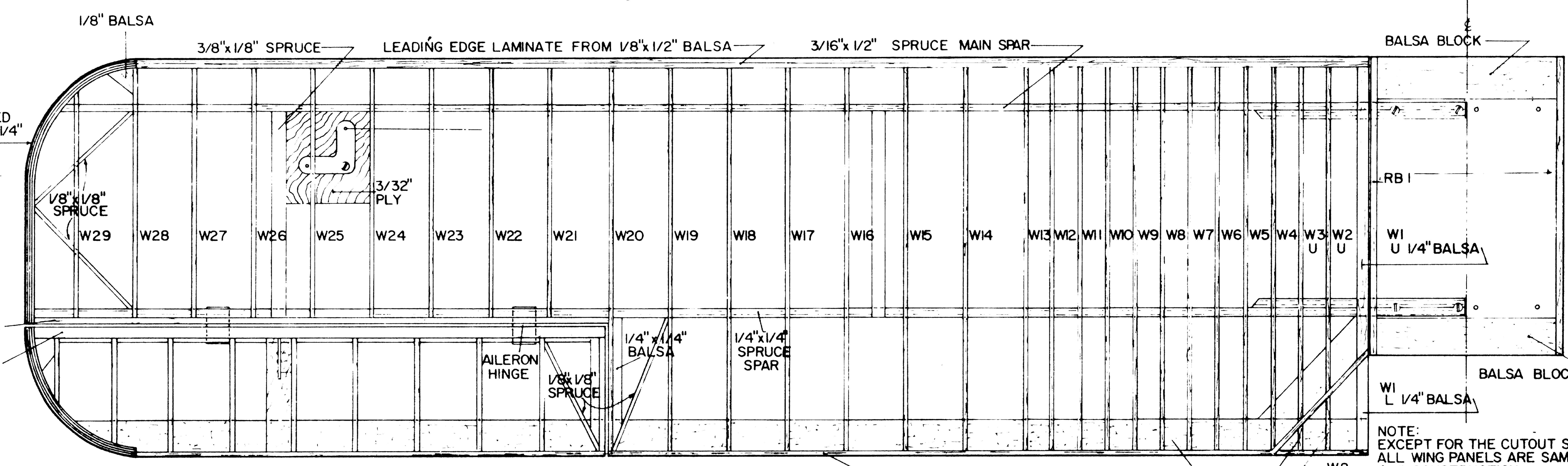
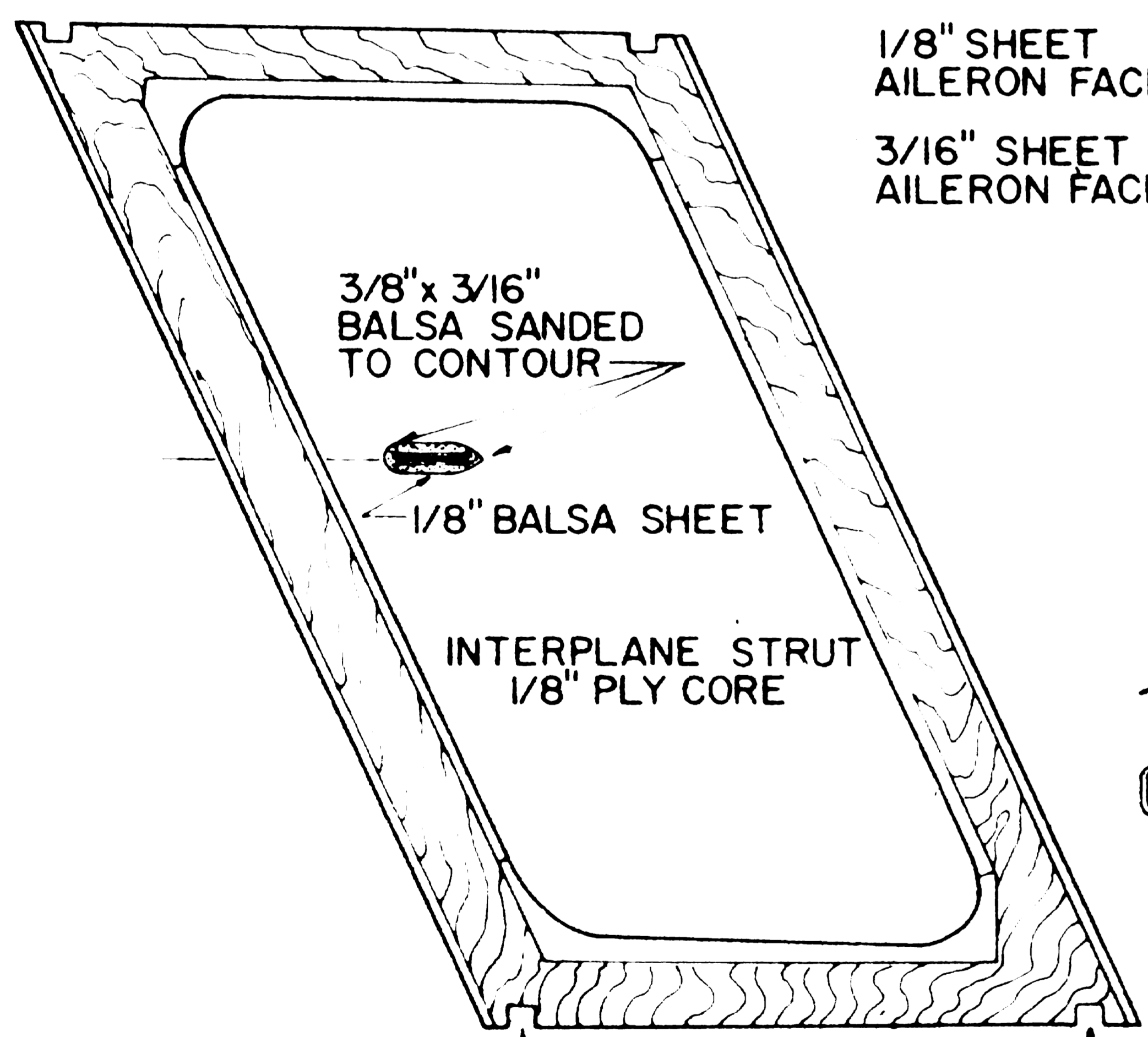
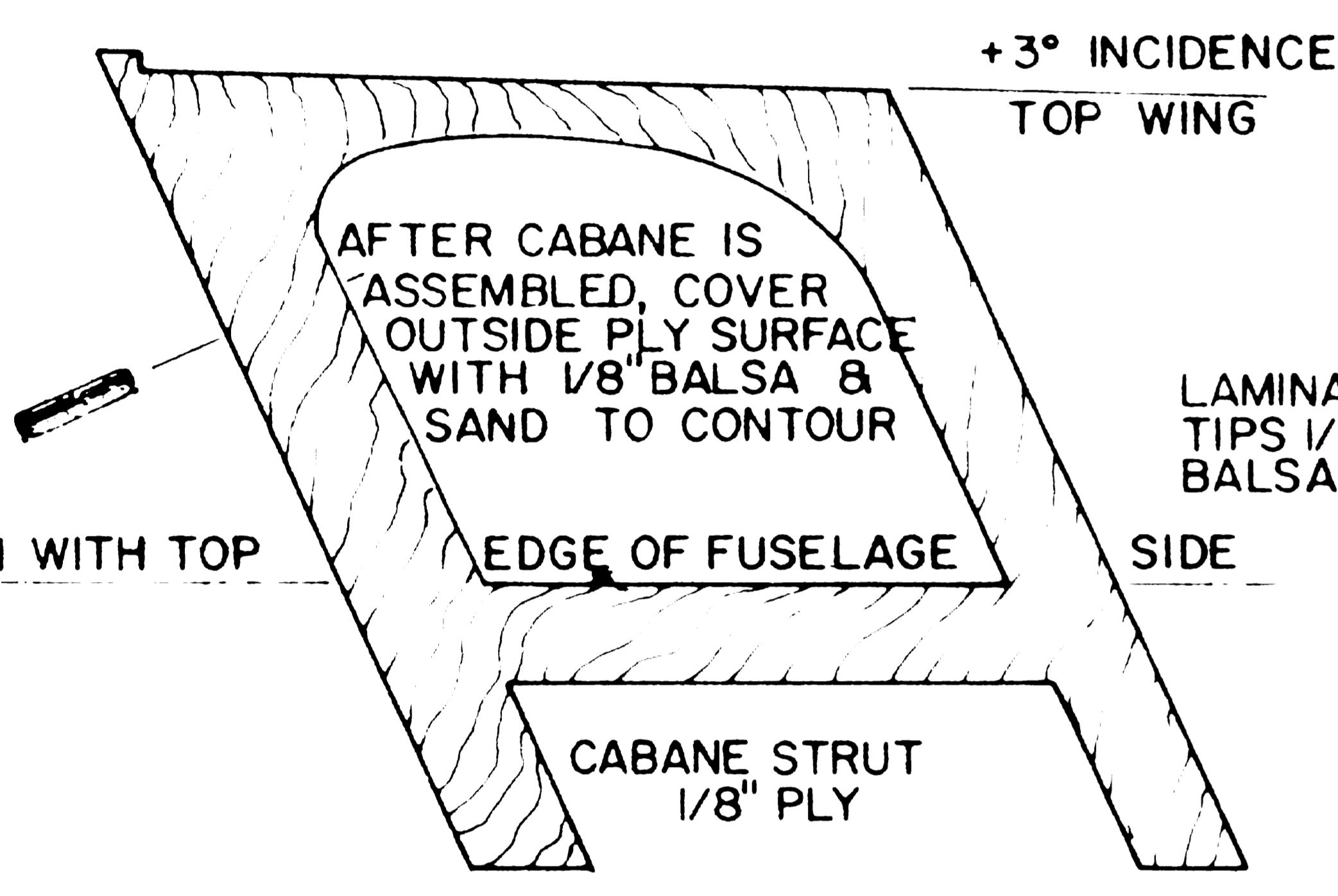
AILERON PUSH ROD HOLE TYPICAL WING SECTION SHOWING INTERPLANE STRUT FOUNDATION



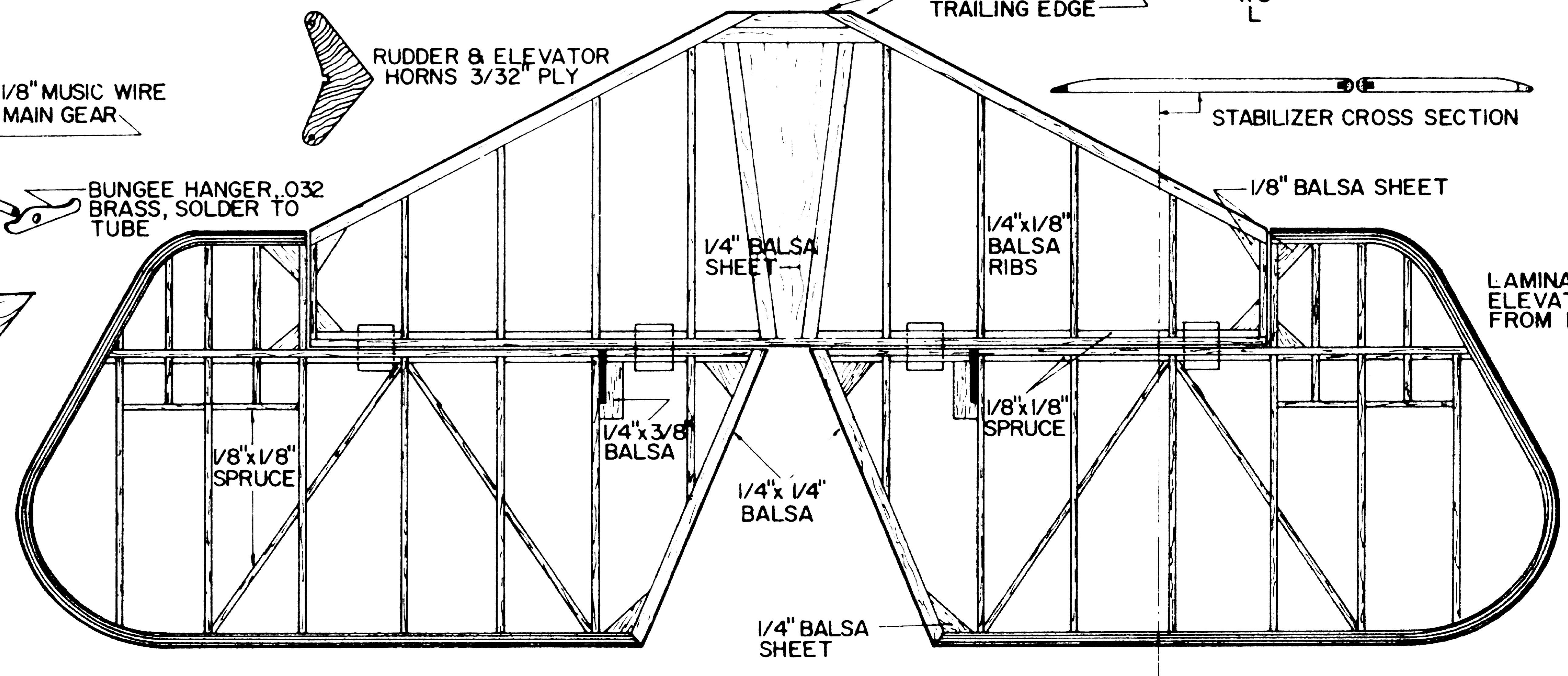
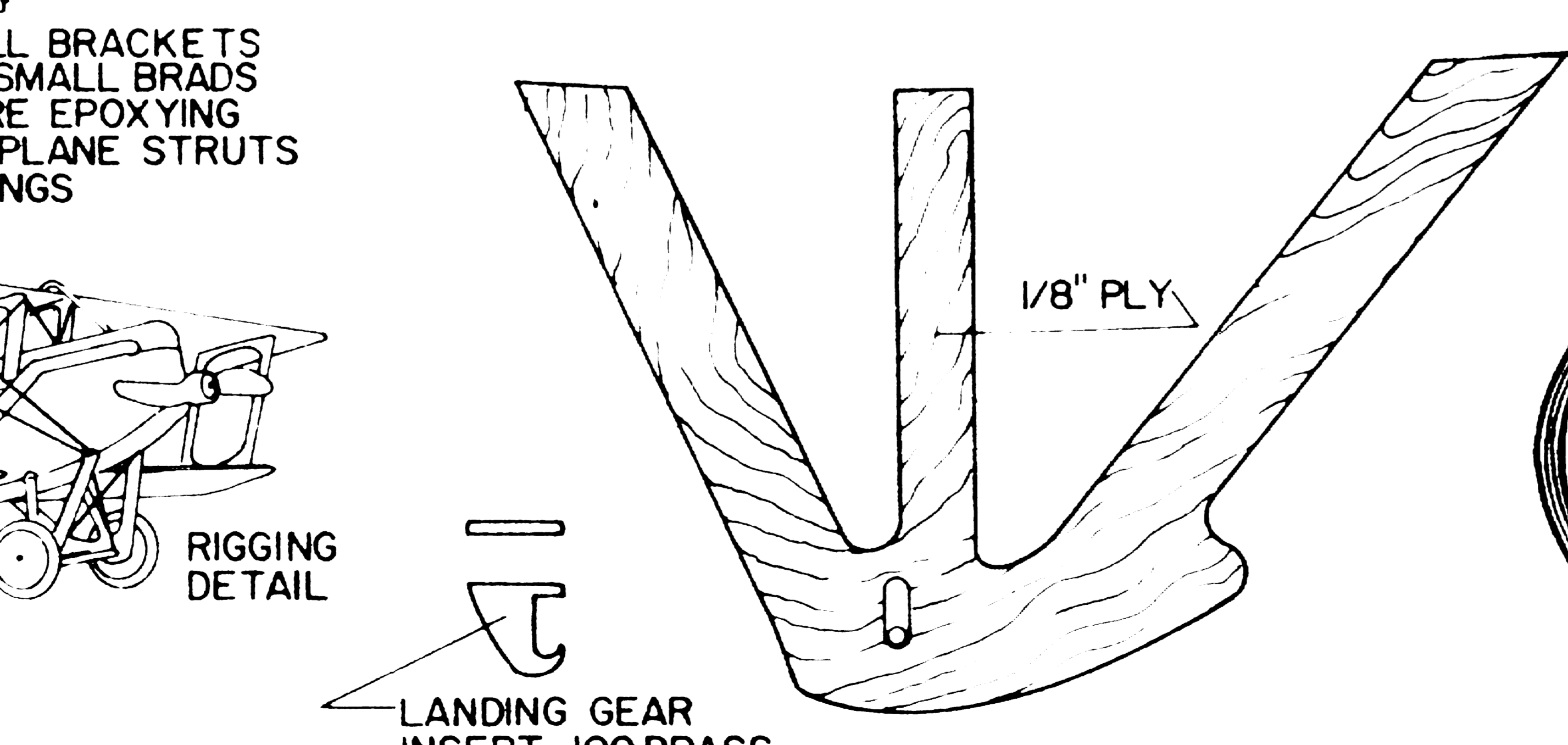
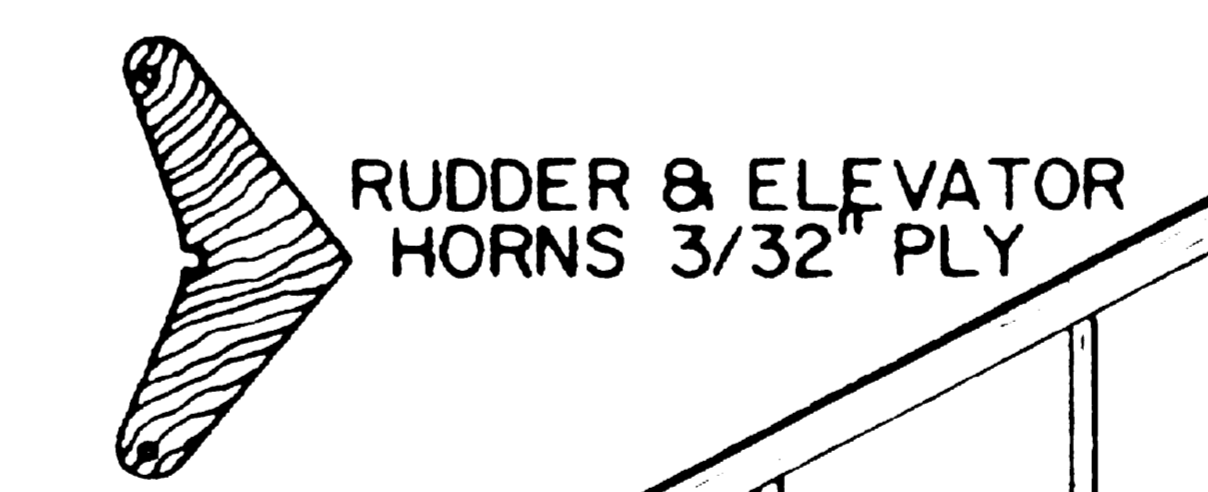
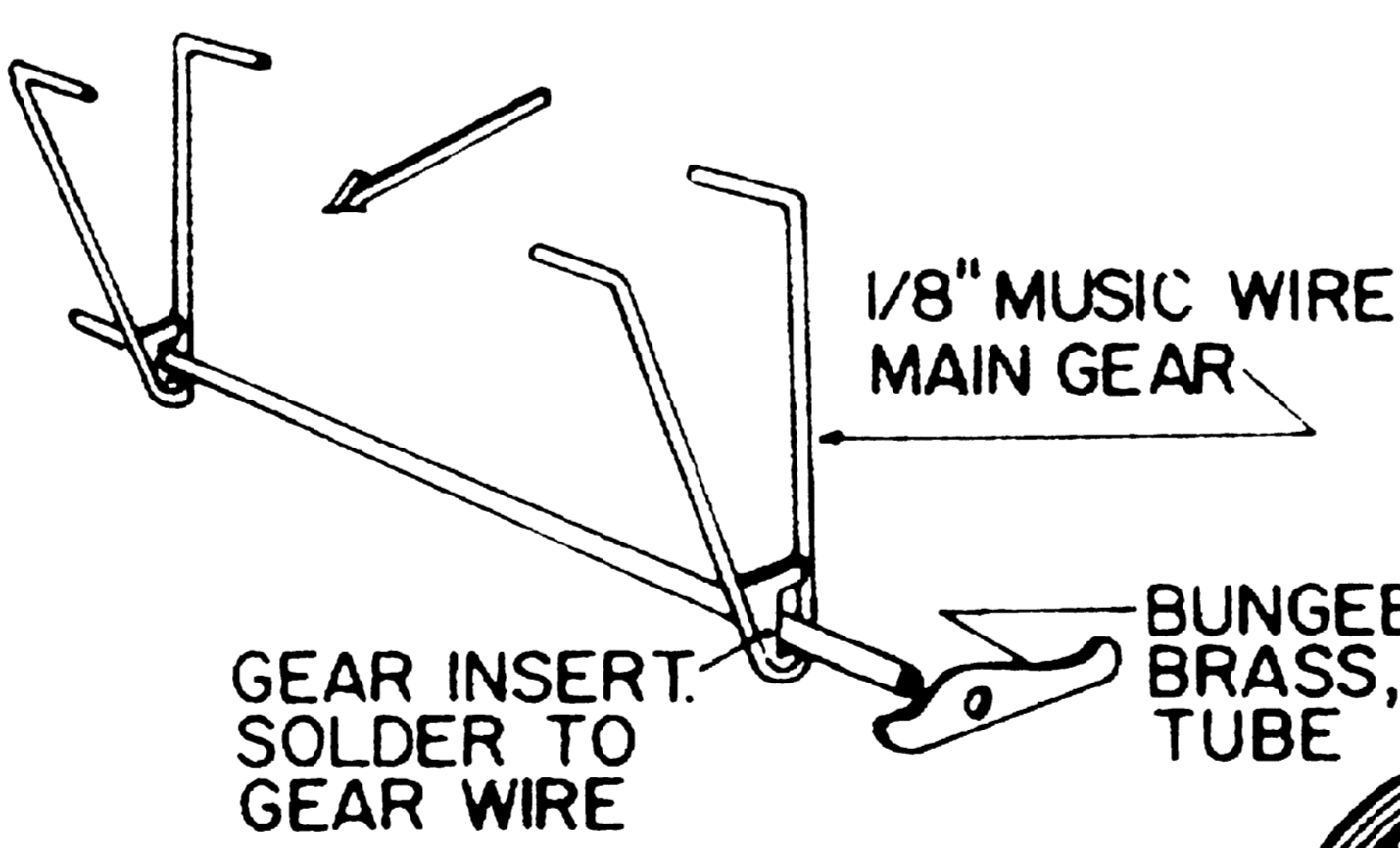
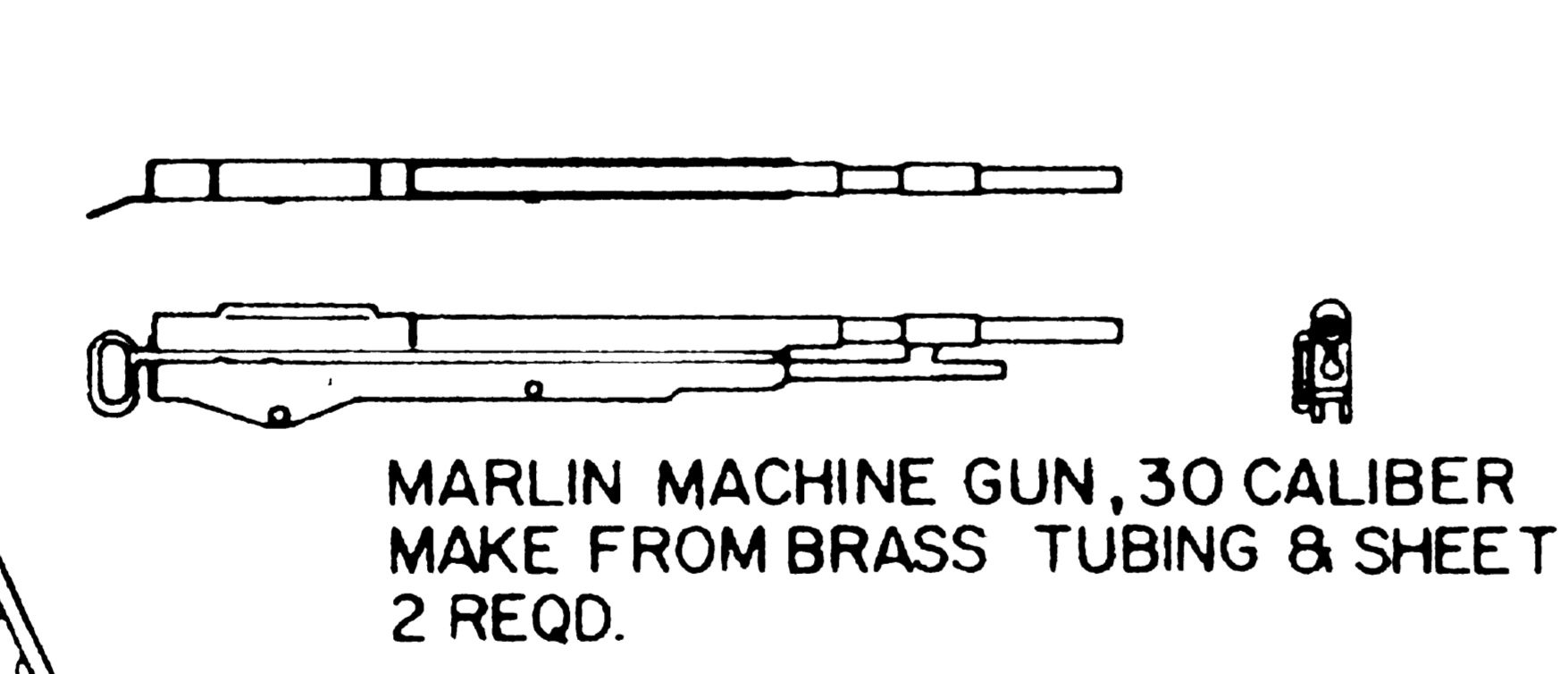
CABANE TOP PLATE 1/8\"/>



INSTALL 6-32 BLIND NUTS FOR SPAR BOLTS



NOTE: EXCEPT FOR THE CUTOUT SHOWN ALL WING PANELS ARE SAME SIZE AND CONSTRUCTION



LAMINATE RUDDER, ELEVATOR & WING TIPS FROM 1/16\"/>

