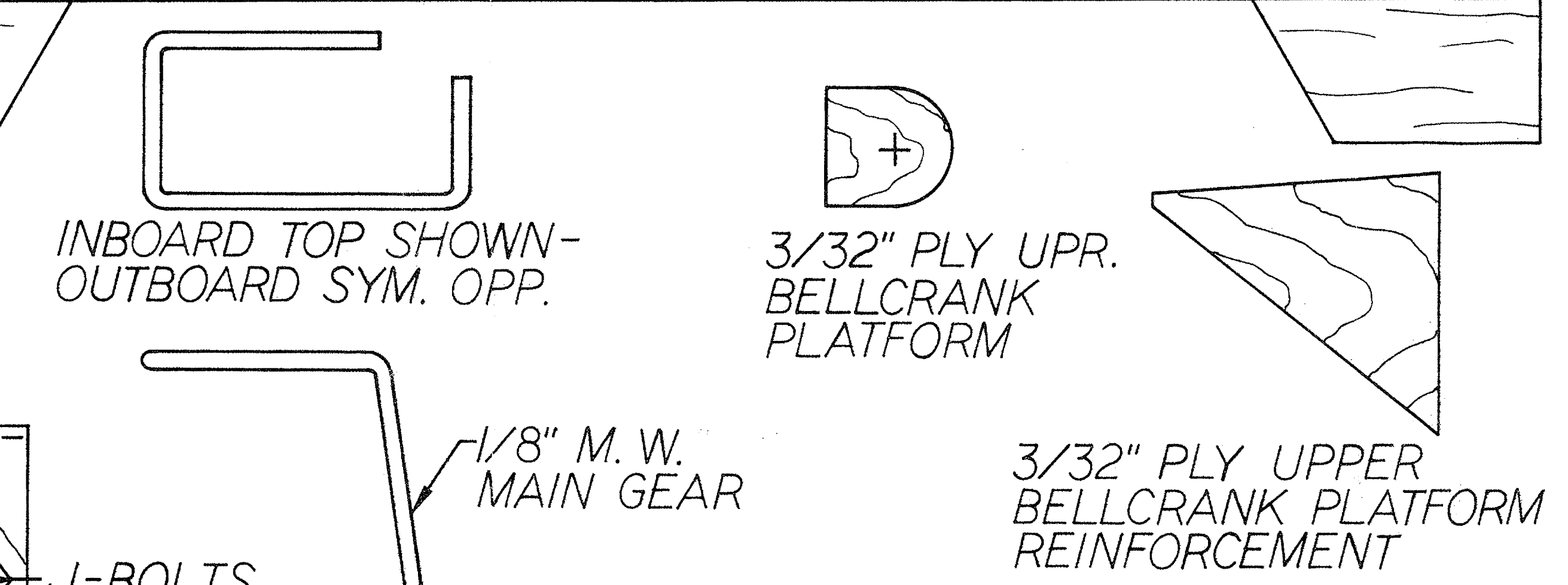
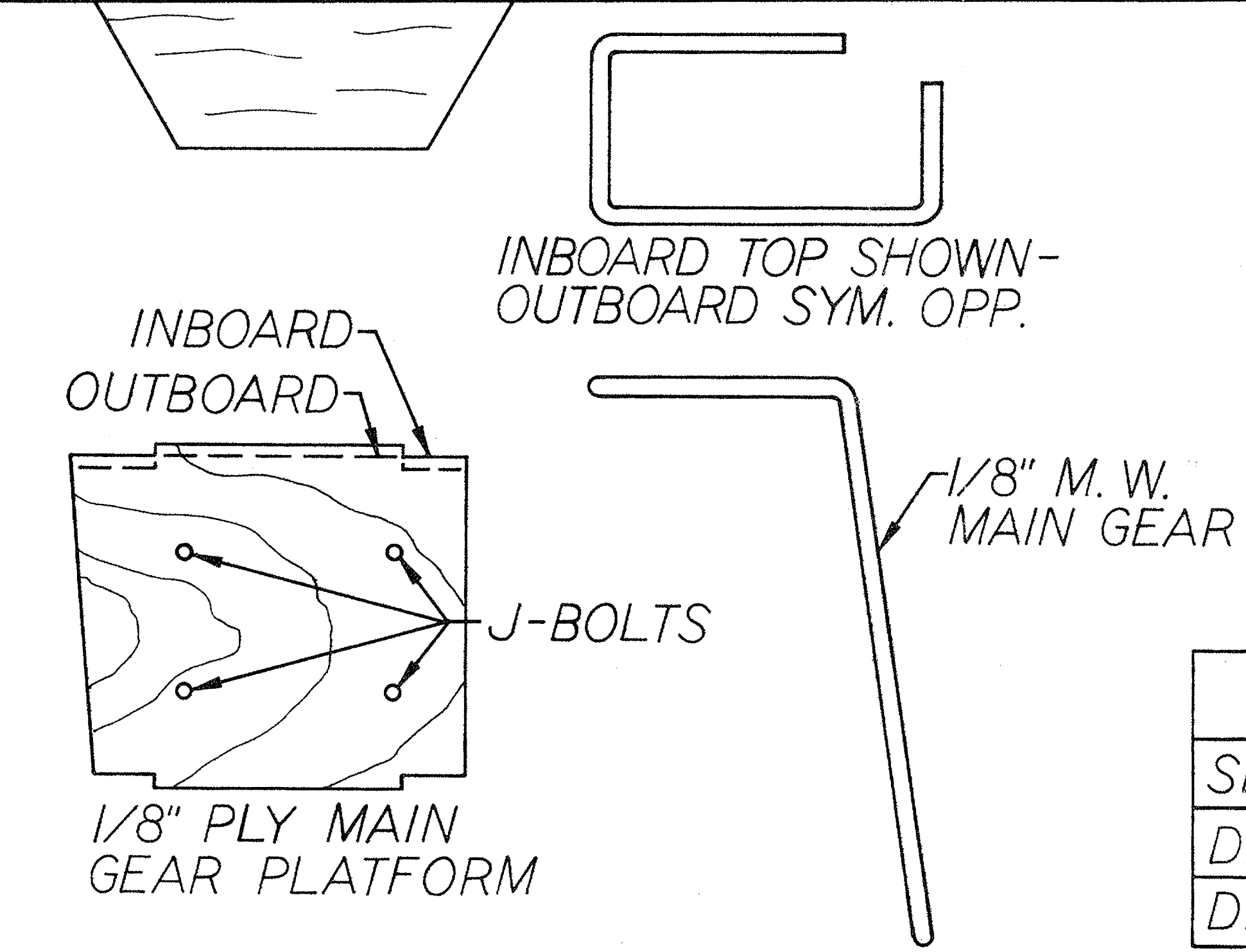
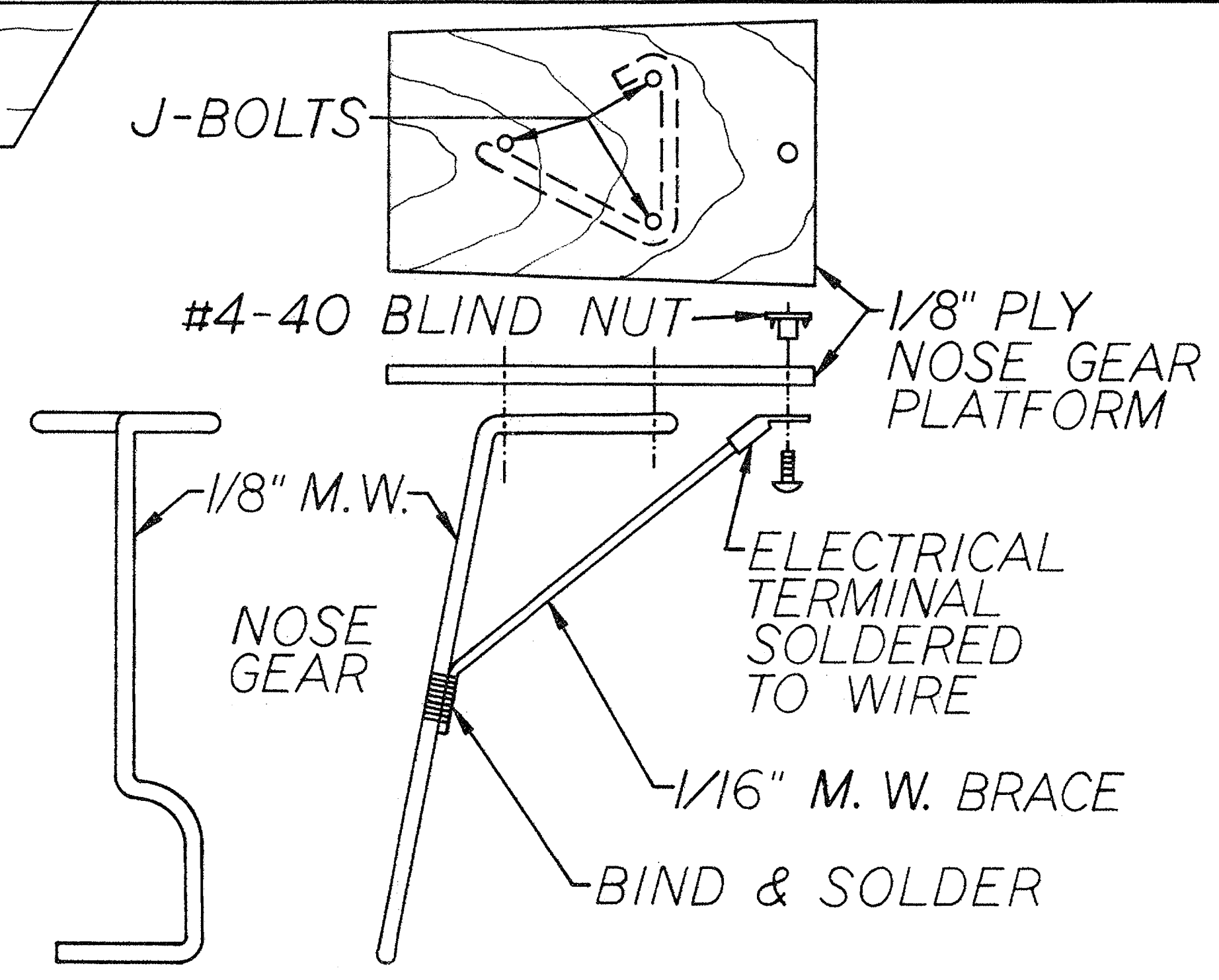
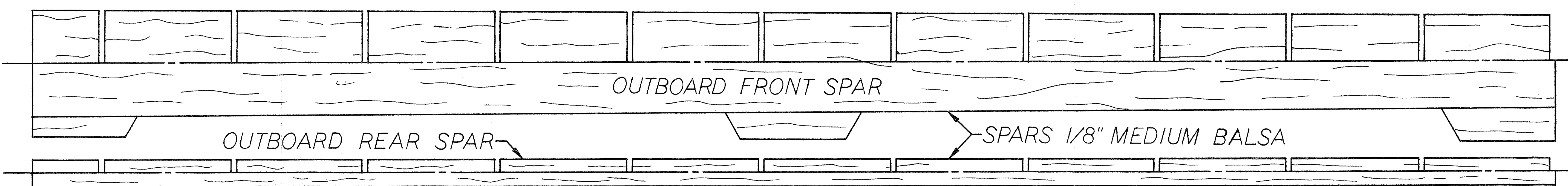
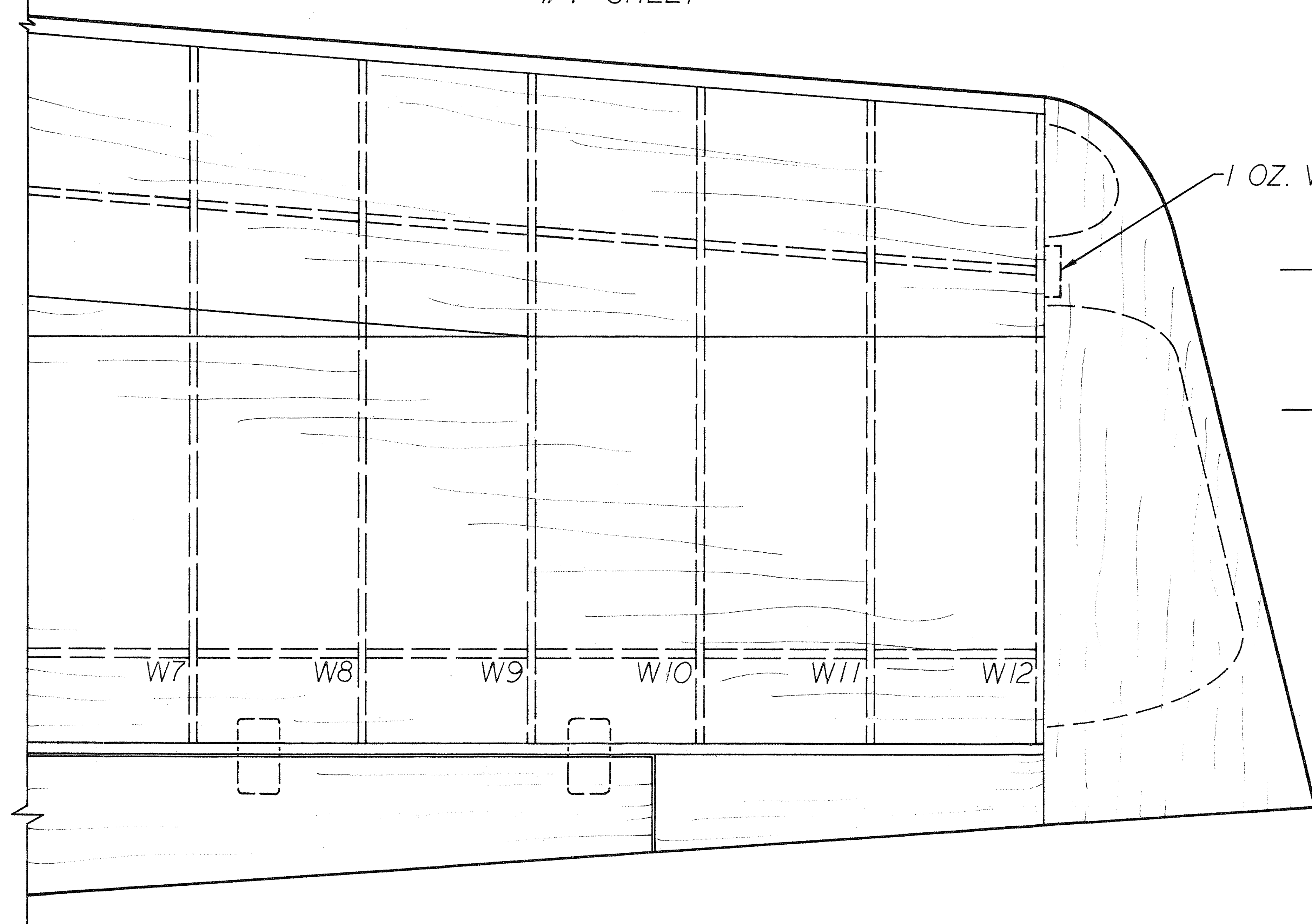
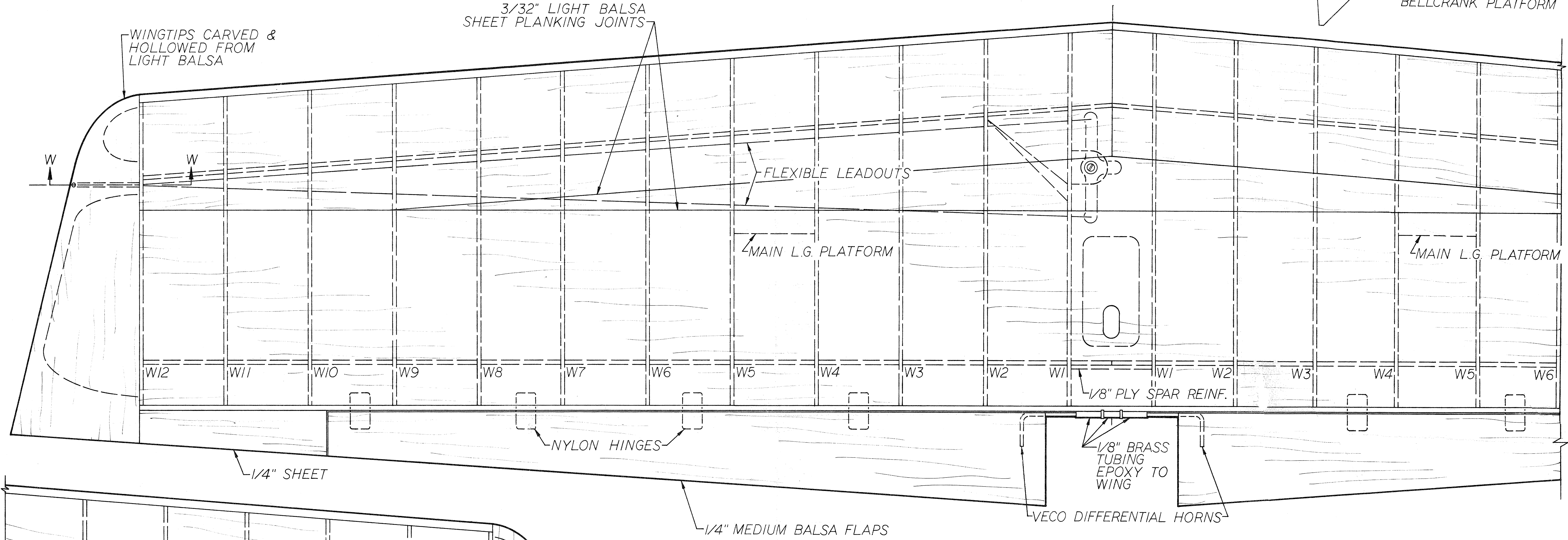
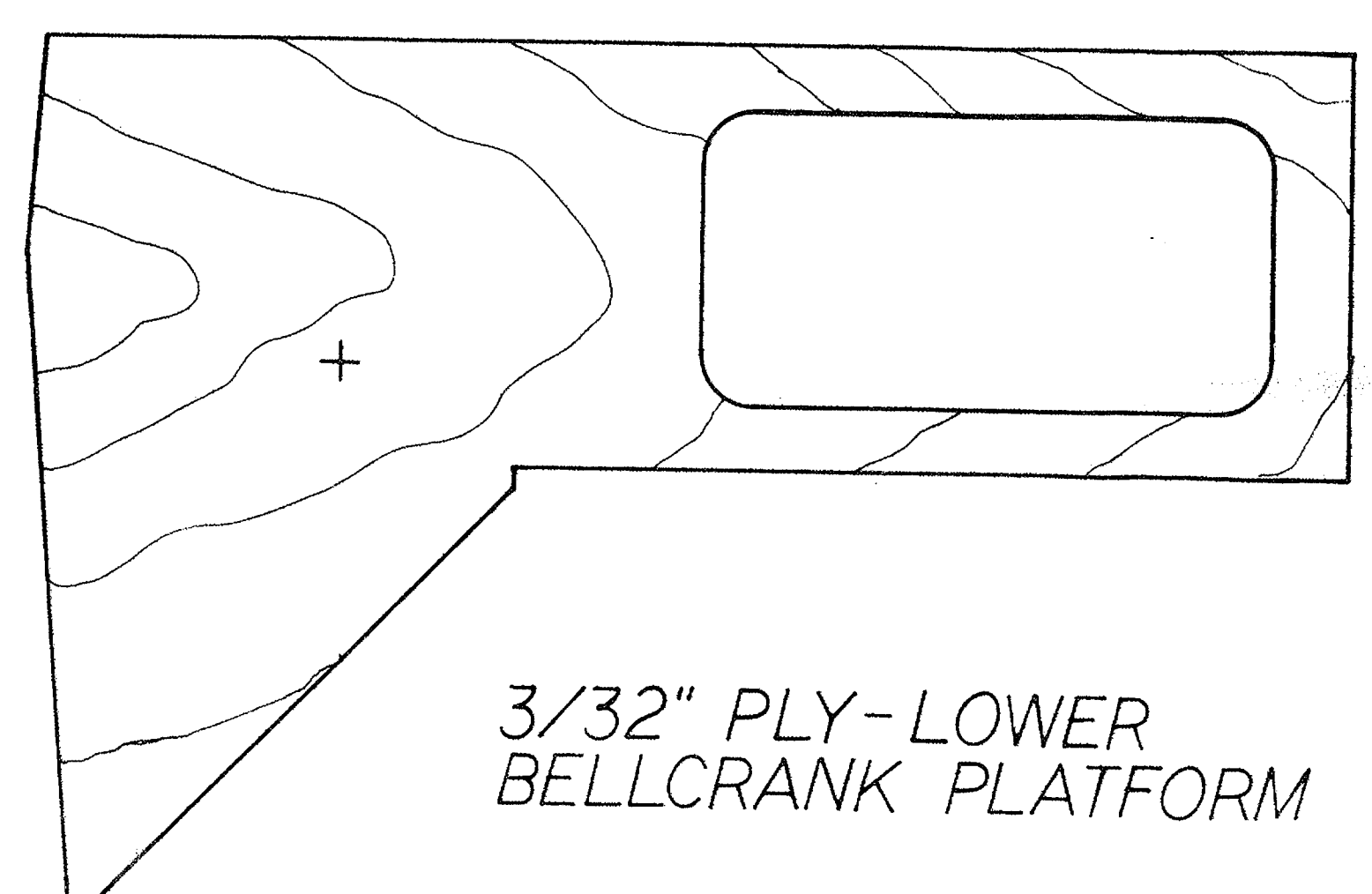
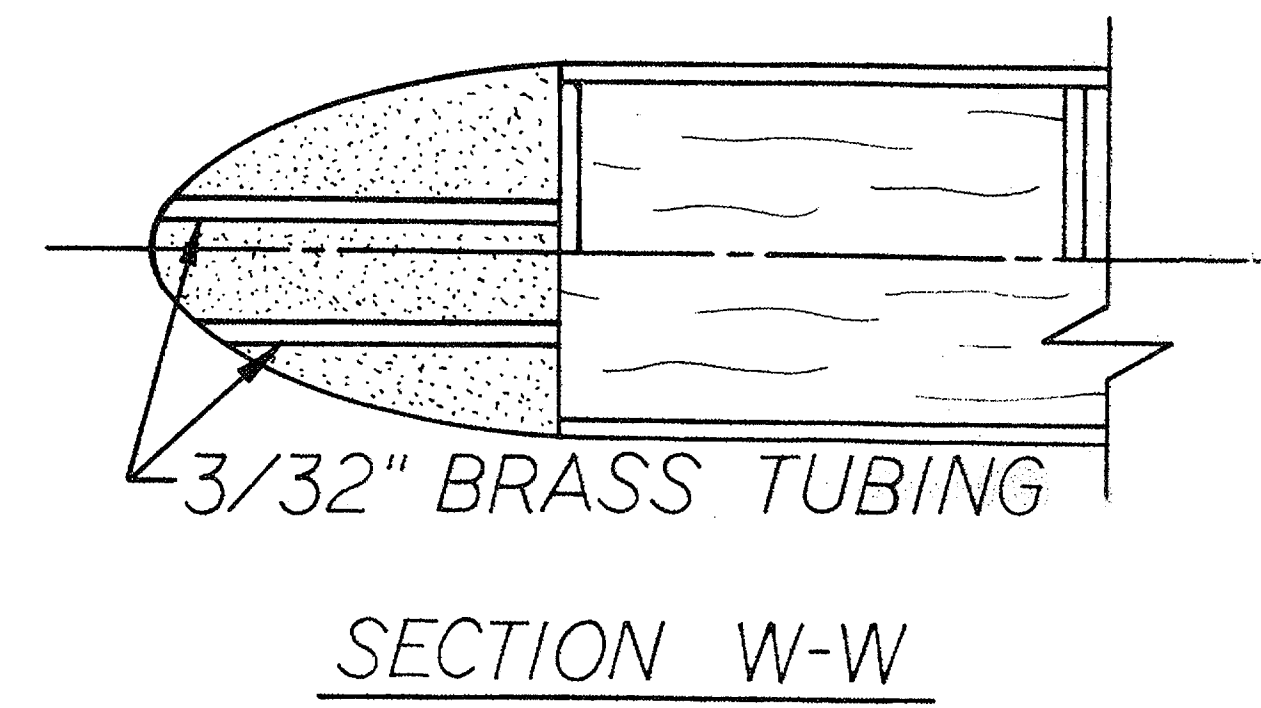
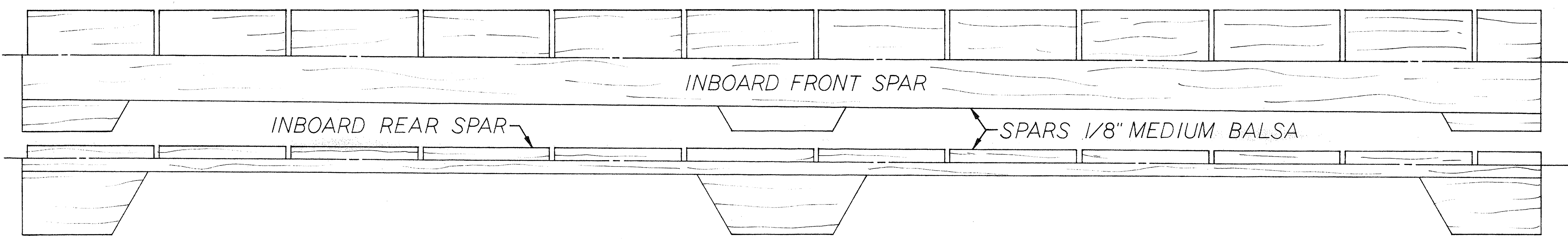


**MARUT**  
 SEMI-SCALE STUNT - PLATE I  
 DESIGNED BY: RON ADAMS  
 DRAWN & INKED BY: DON POLICH



**MARUT**  
SEMI-SCALE STUNT - PLATE II  
DESIGNED BY: RON ADAMS  
DRAWN & INKED BY: DON POLICH