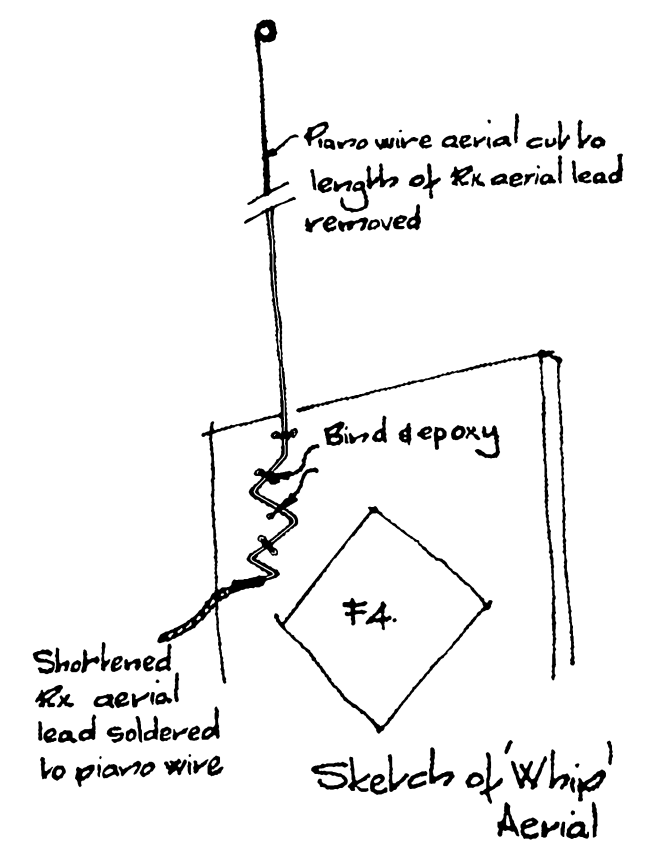
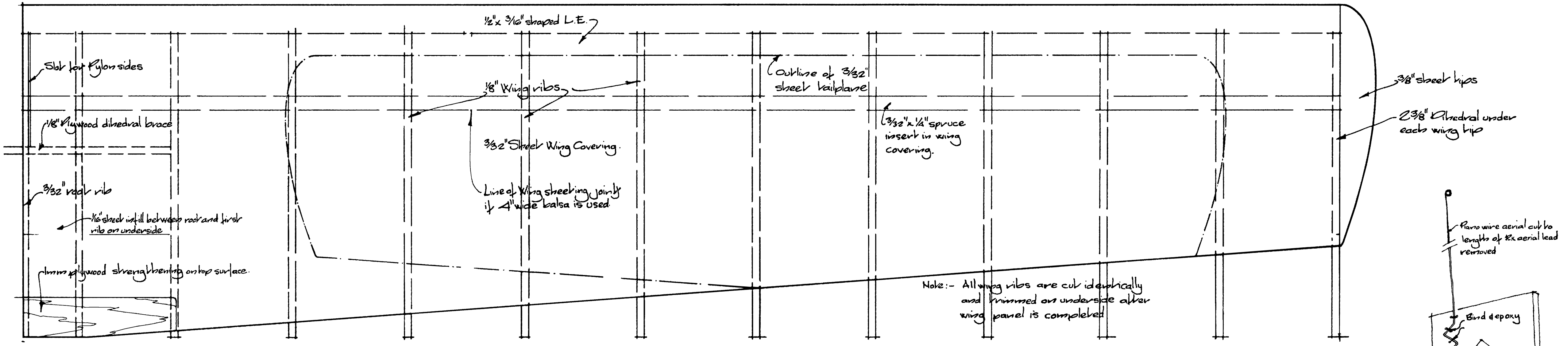
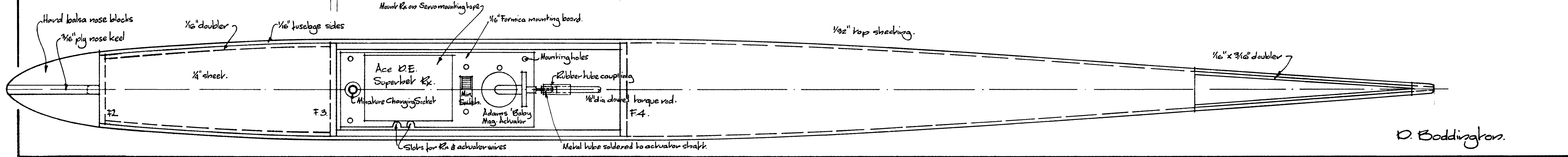
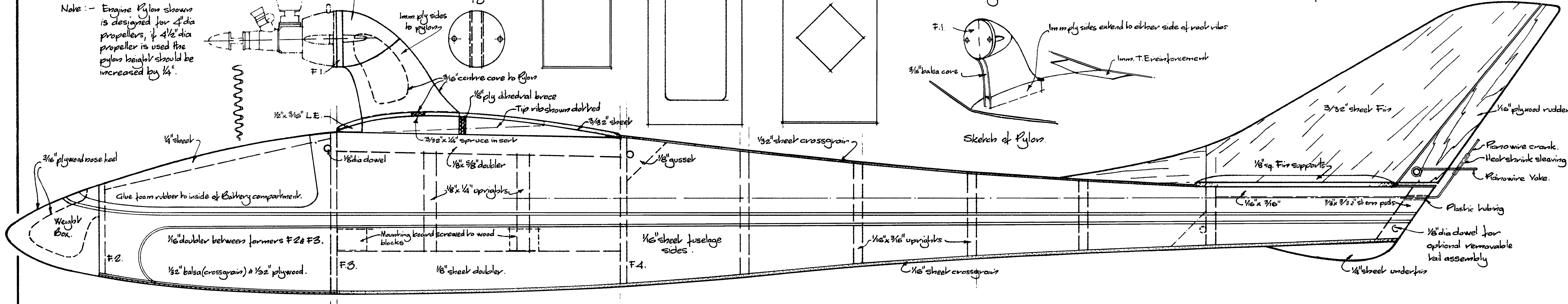
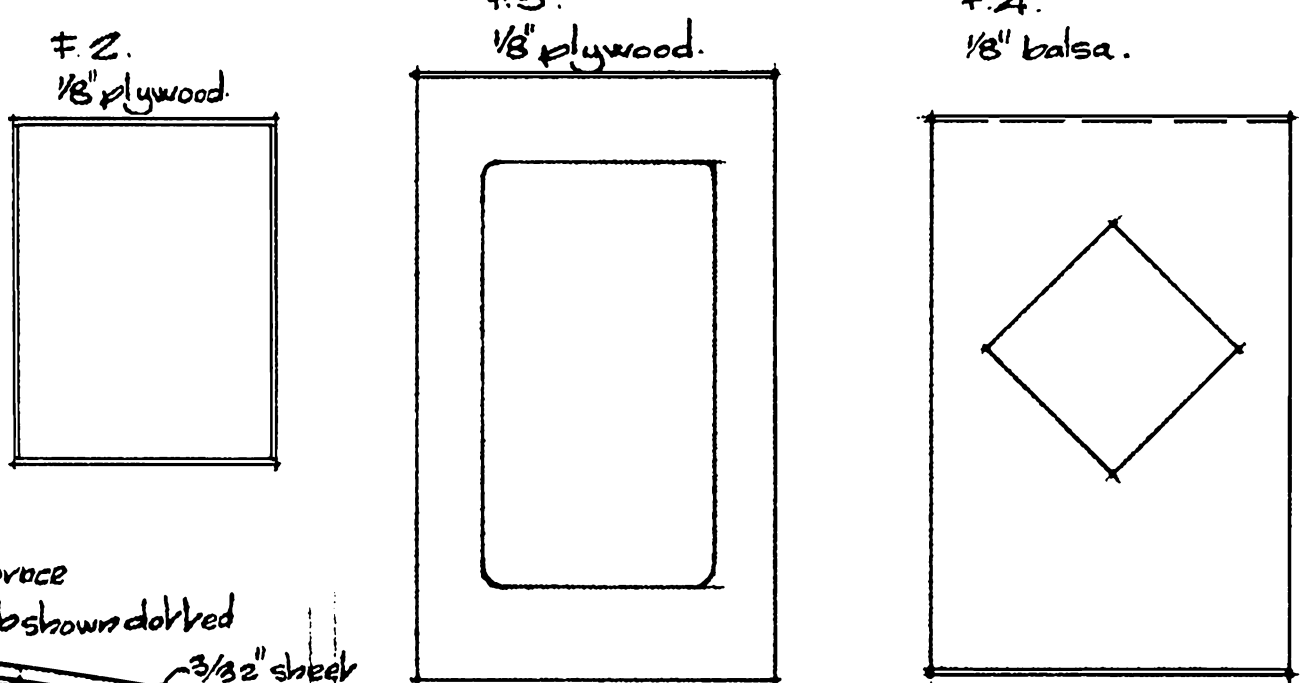
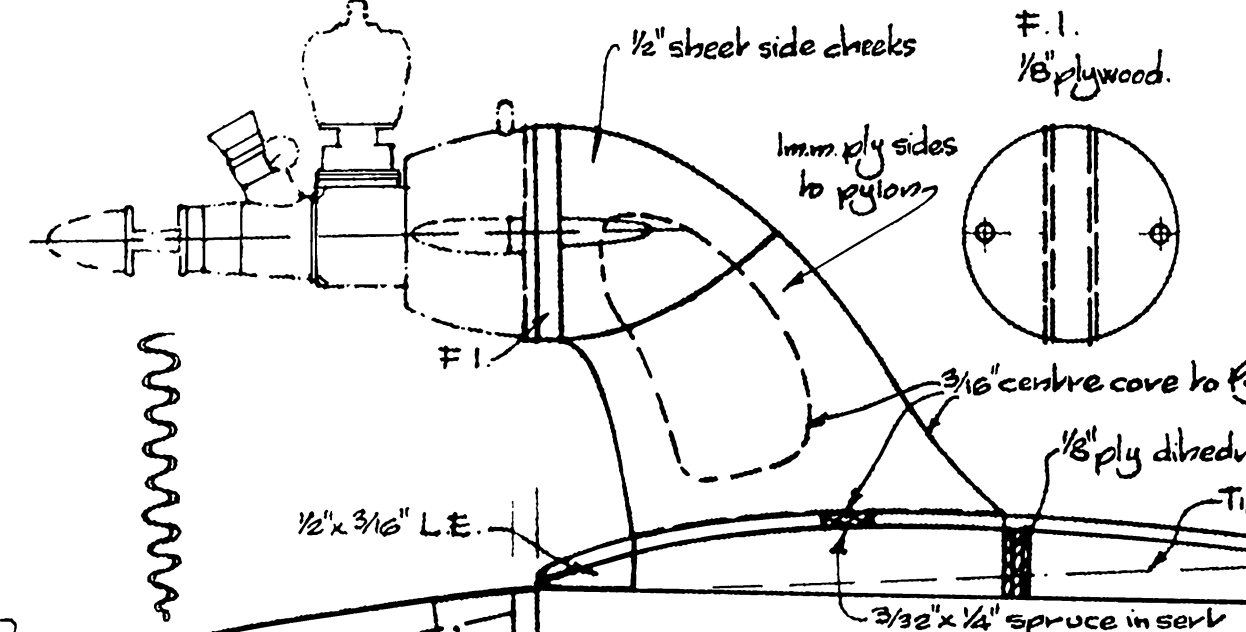


'Kestrel'  
 46" Span powered  
 Sailplane for .020cuins  
 engines and S.C. Radio  
 Total Weight.



Note: - Engine Pylon is designed for 4" dia propellers, if 4 1/2" dia propeller is used the pylon height should be increased by 1/4".

Cox T.O. 020 1° down thrust no side thrust



D. Boddington.