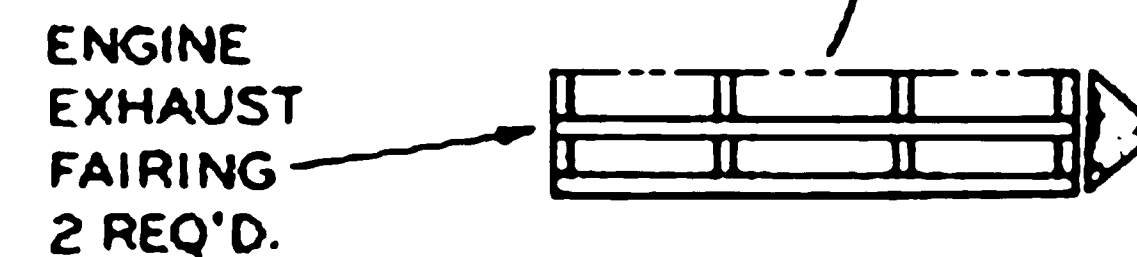
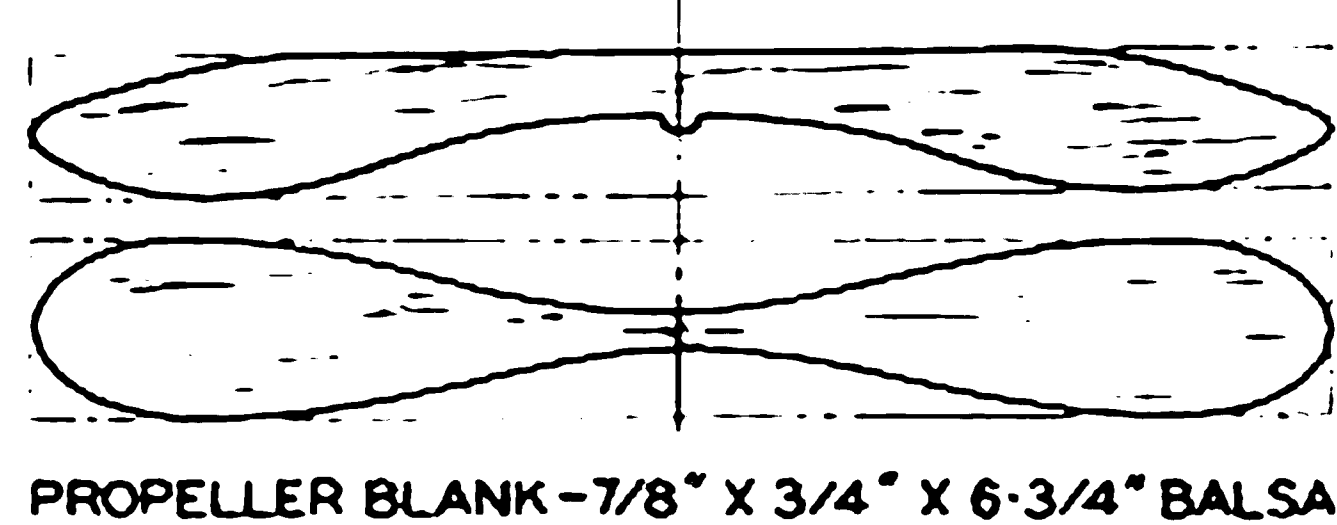
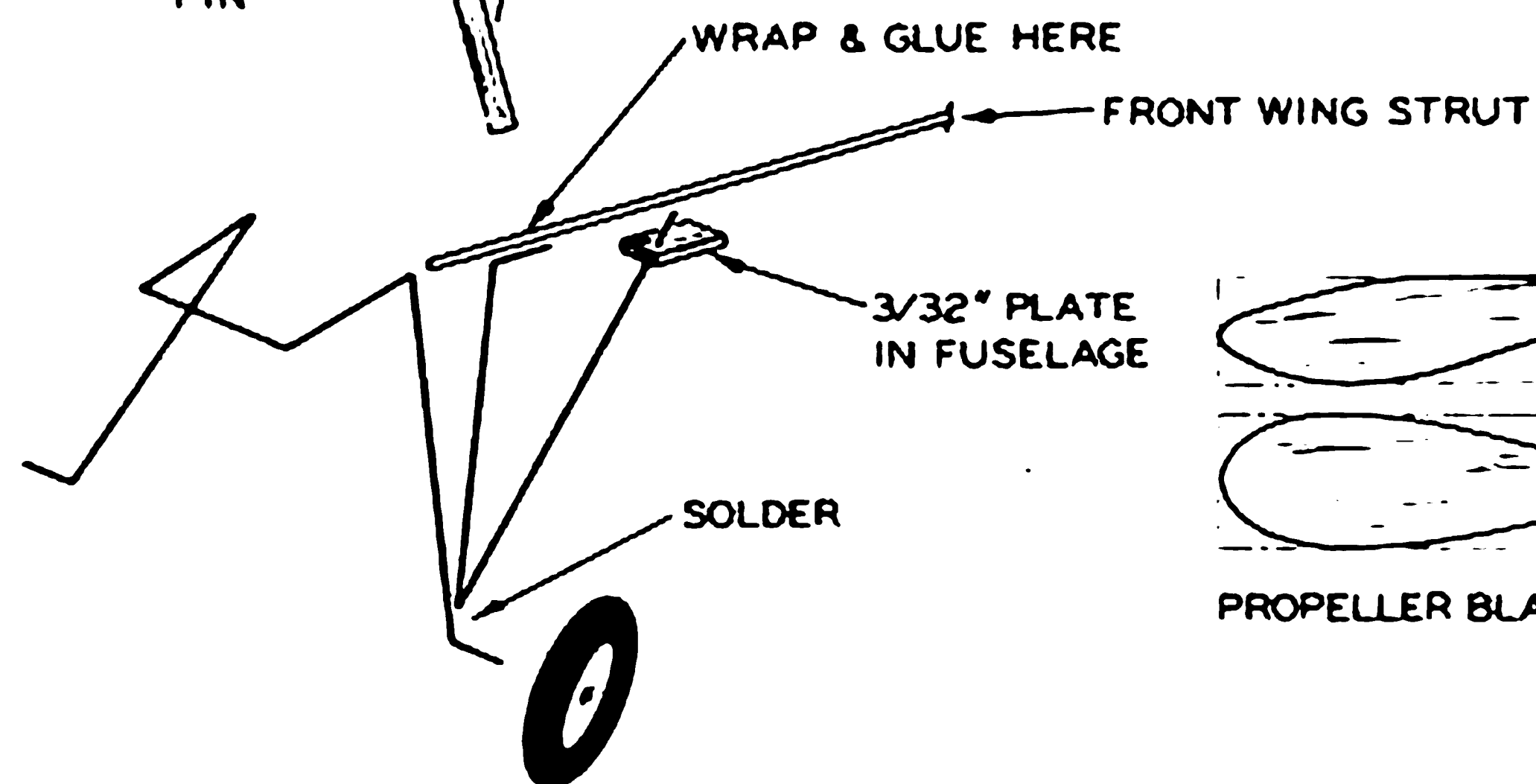
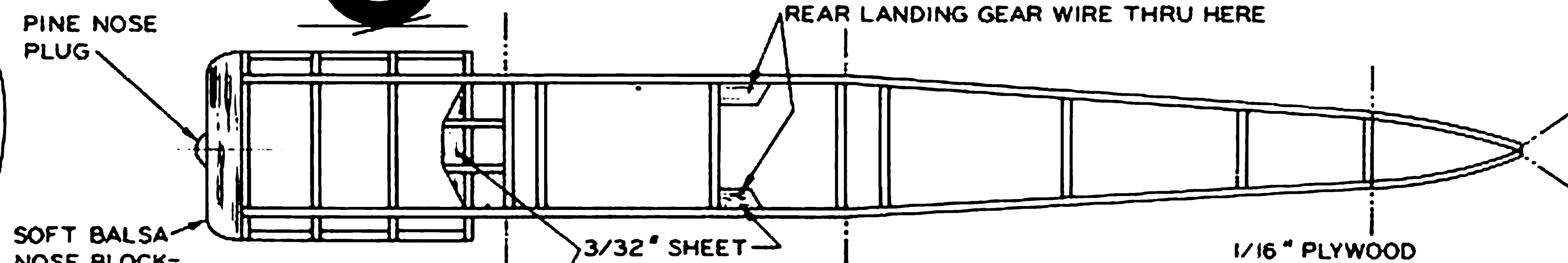
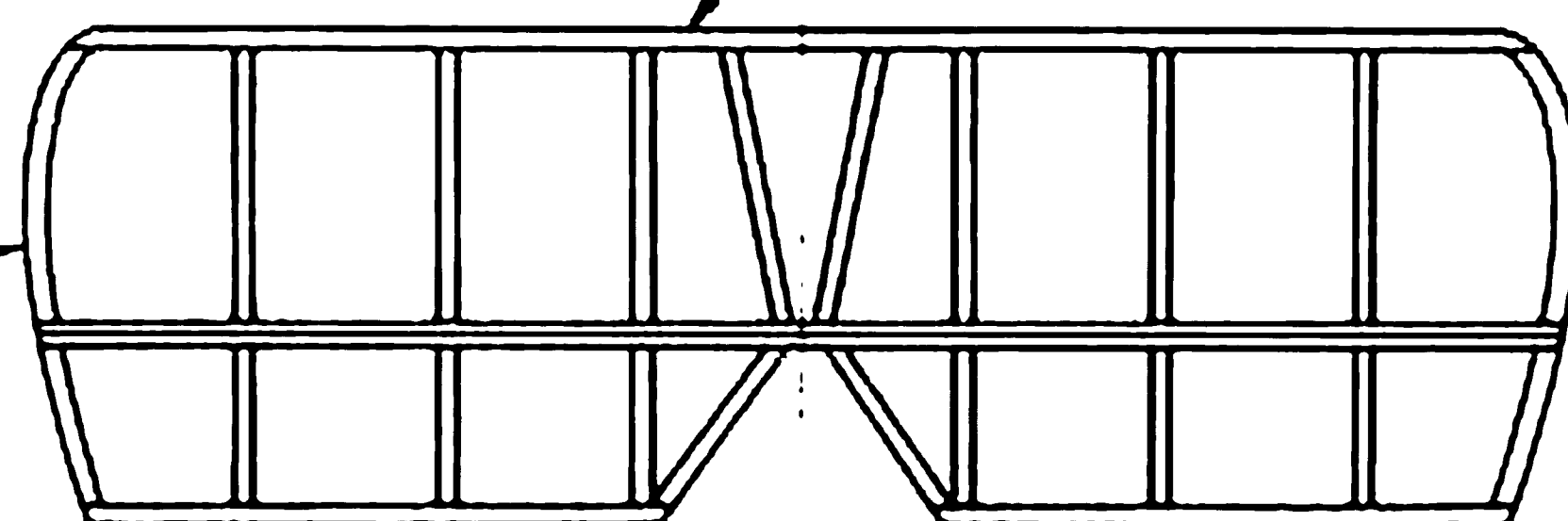
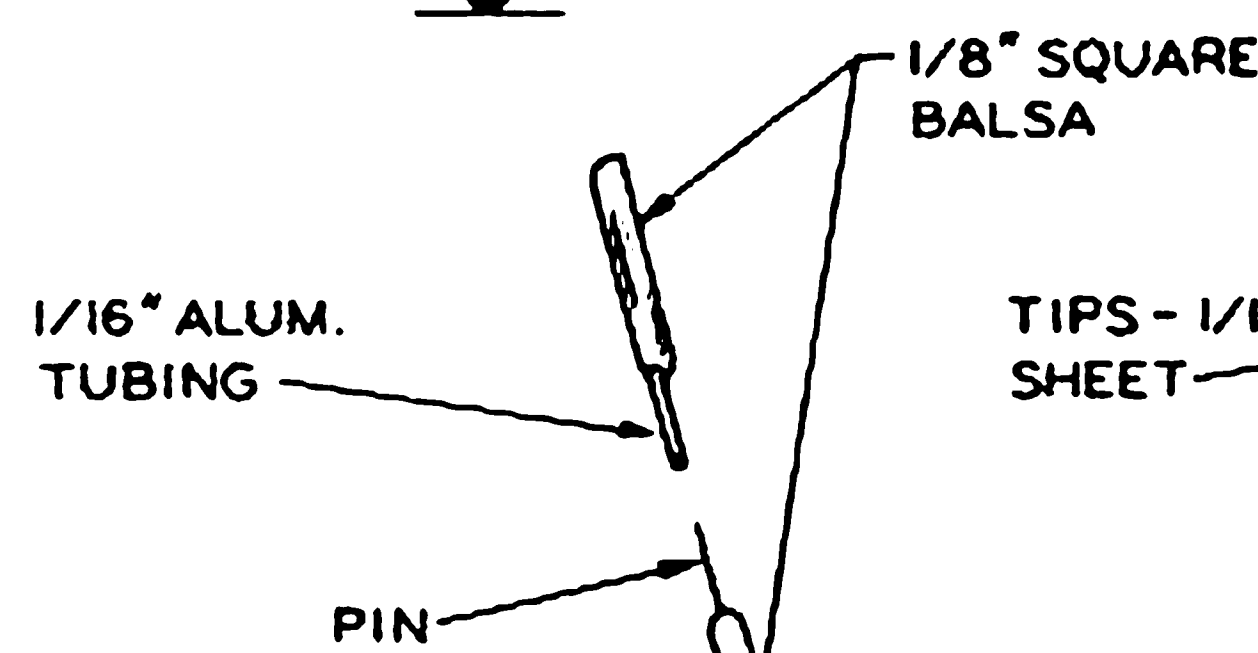
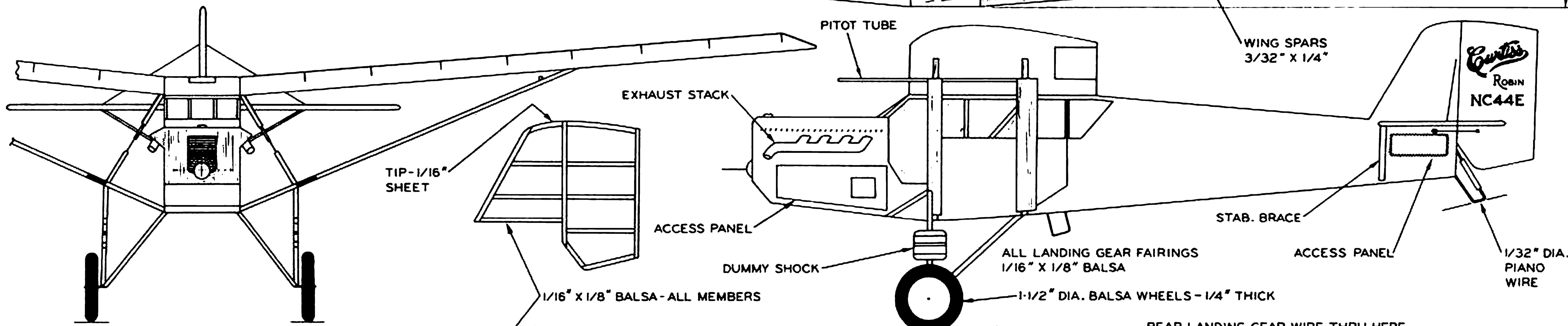
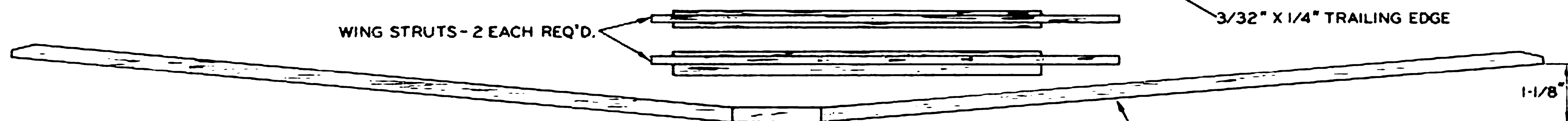
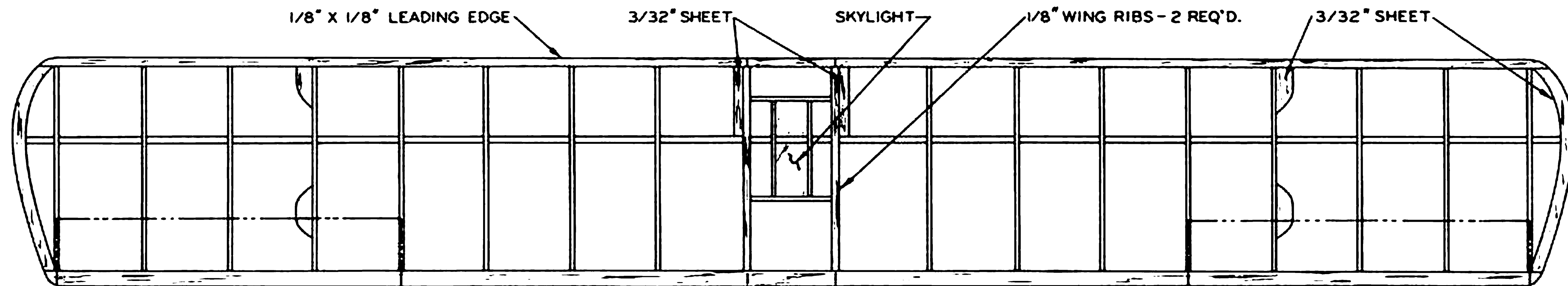
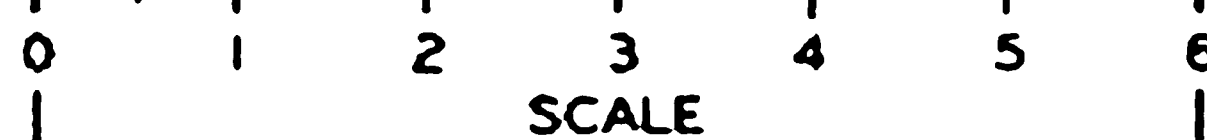


CURTISS ROBIN OX-5

DESIGNED, DRAWN & BUILT BY
TED DAIGLE
INKED BY FRANK ELMIGER



SIDE VIEW

FRONT VIEW

LANDING GEAR
1/16" MUSIC WIRE

Curtiss
ROBIN
NC44E