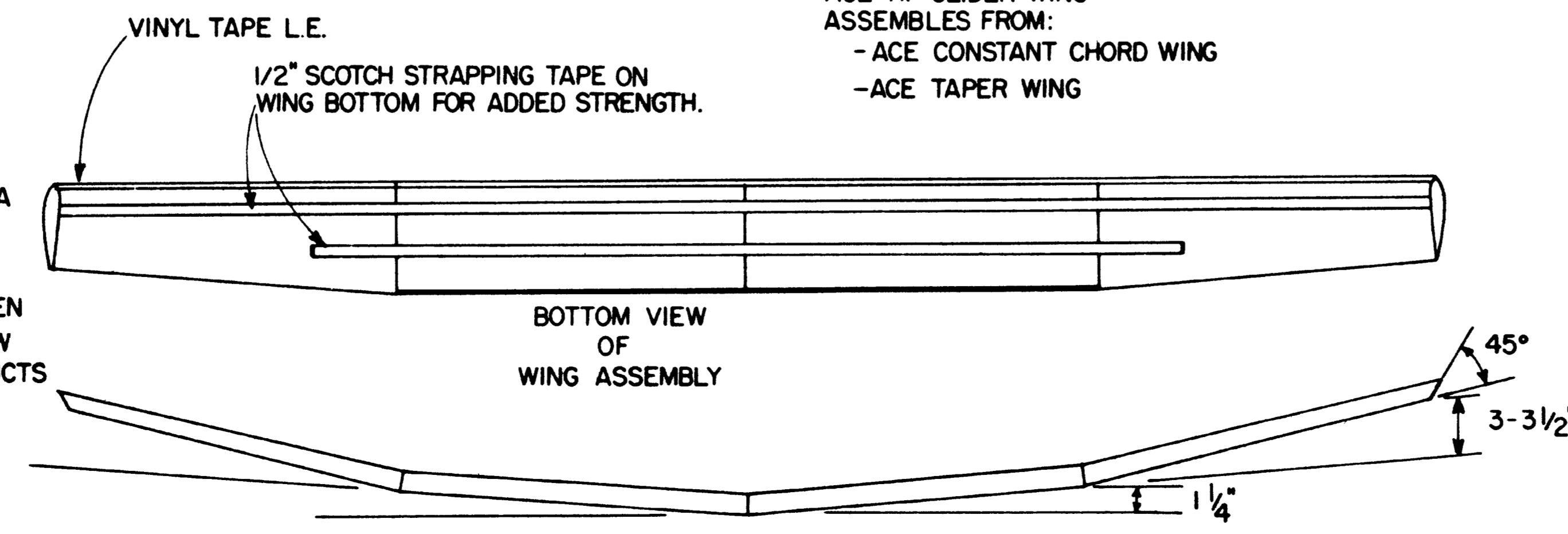


IMPORTANT NOTE:
WIRE TORQUE ROD MUST WORK ABSOLUTELY FREE. NO BINDING. INSTALL & ALIGN CAREFULLY. CEMENT 1/16" PLY BEARING PLATES IN PLACE AFTER WIRE IS INSTALLED, TO ASSURE ACCURATE ALIGNMENT.

- WING NOTES:**
- CAREFULLY ROUND L.E.
 - REMOVE FLASHING AT T.E.
 - ADD 1/8" SPRUCE OR HD Balsa AT T.E. OF CENTER SECTION
 - FINISH WING w/ 1 OR 2 COATS POLY URETHANE VARNISH, THEN SAND SMOOTH, OR COVER RAW FOAM w/ QUICK-N-EASY PRODUCTS "TOP COTE" AVAILABLE FROM ACE R/C INC.

USE EPOXY ONLY - TO JOIN WING SECTIONS



ACE HI GLIDER WING ASSEMBLES FROM:
- ACE CONSTANT CHORD WING
- ACE TAPER WING

"ACE HIGH"

DESIGNED FOR USE WING ACE R/C INC. CONSTANT CHORD & TAPERED FOAM WINGS

Wing Span - 70"
Weight (with ACE Pulse System & .049 Cox Babe Bee) - 20 oz.

Designed by - Owen Kampen
Drawn by - Roman Bukutt