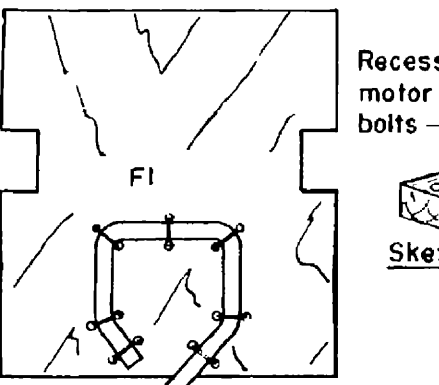
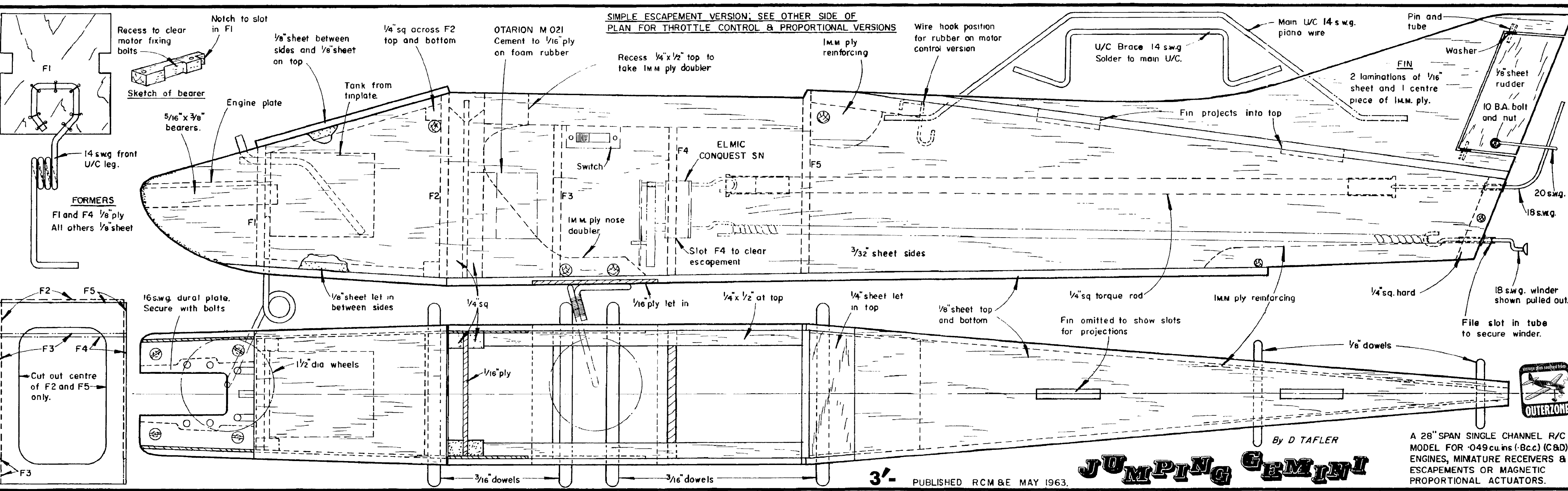
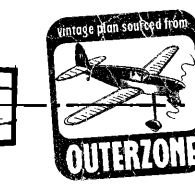
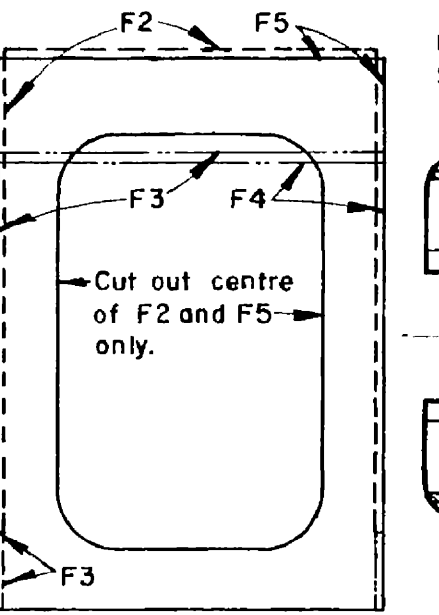


SIMPLE ESCAPEMENT VERSION; SEE OTHER SIDE OF PLAN FOR THROTTLE CONTROL & PROPORTIONAL VERSIONS



FORMERS
F1 and F4 1/8" ply
All others 1/8" sheet



JUMPING GEMINI

By D TAFLER

3'- PUBLISHED RCM&E MAY 1963.

A 28" SPAN SINGLE CHANNEL R/C MODEL FOR .049 cu. ins. (.8cc.) (C&D) ENGINES, MINATURE RECEIVERS & ESCAPEMENTS OR MAGNETIC PROPORTIONAL ACTUATORS.

