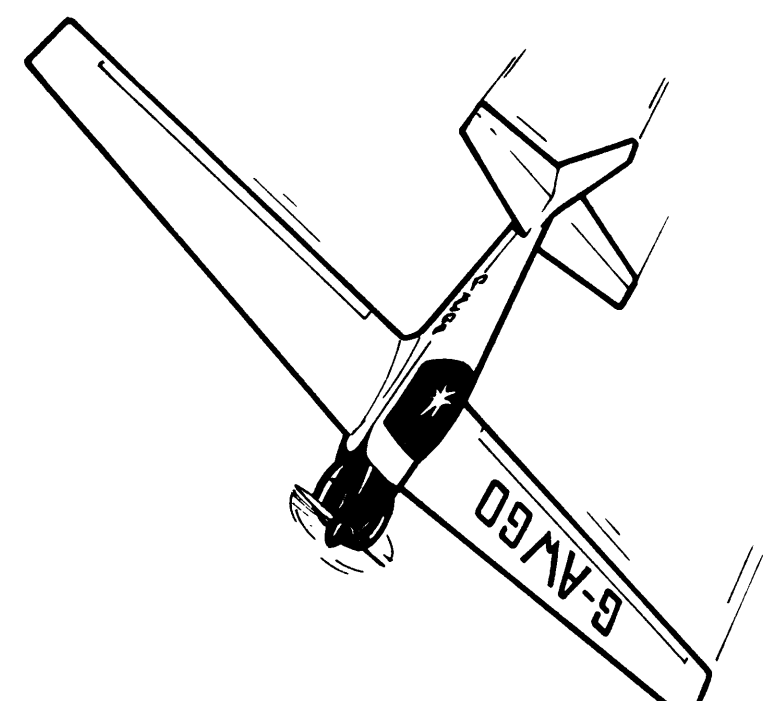
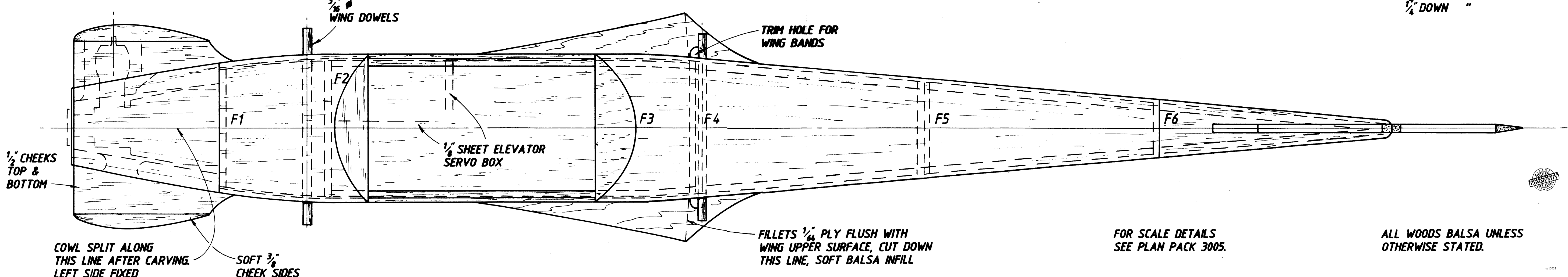
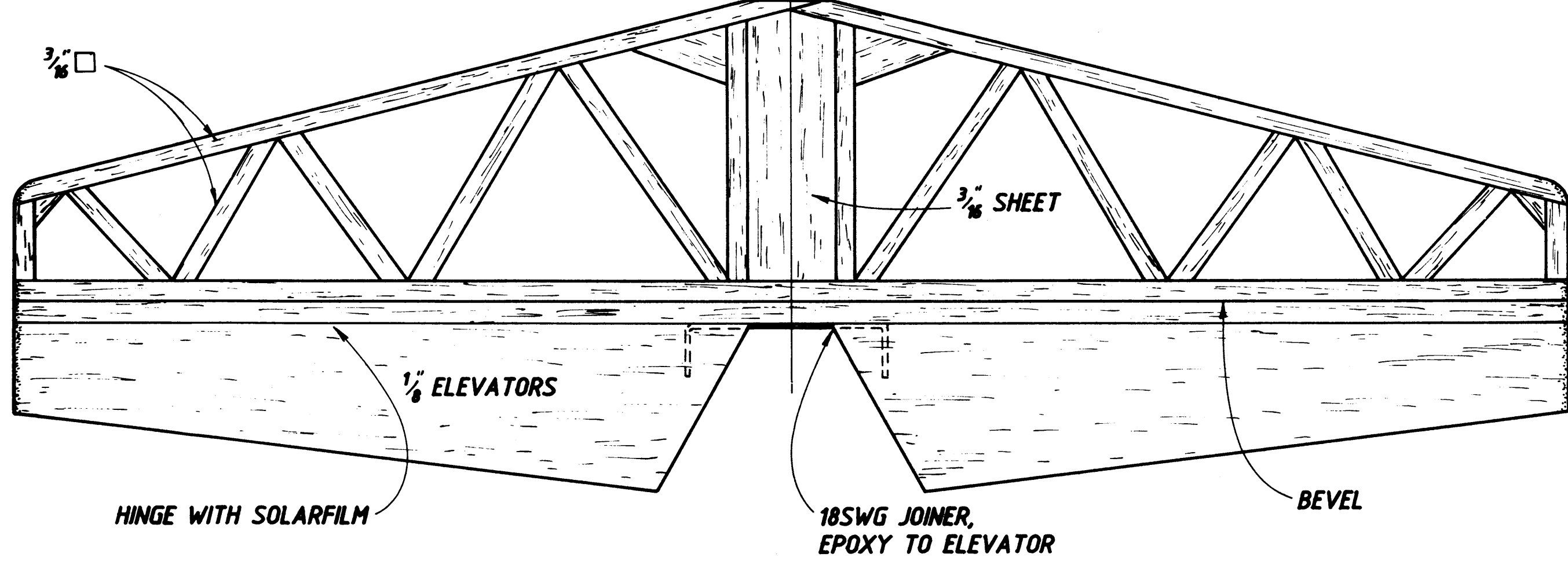
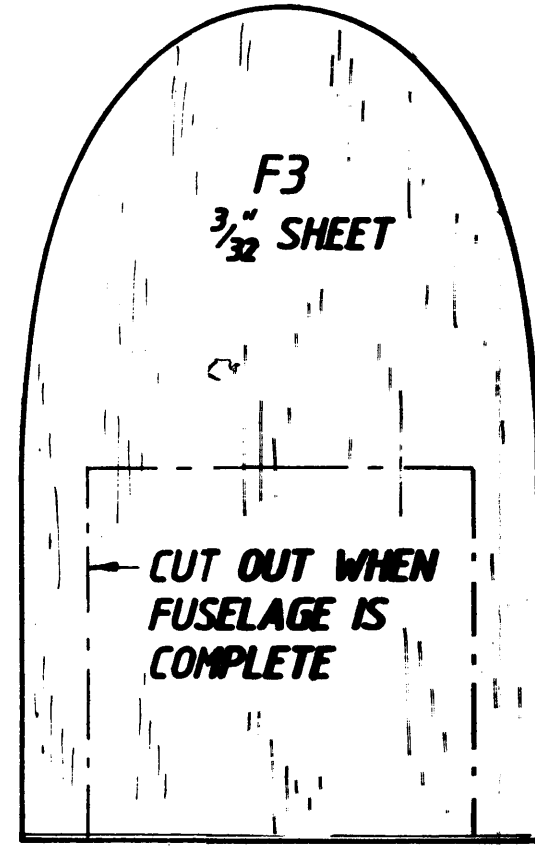
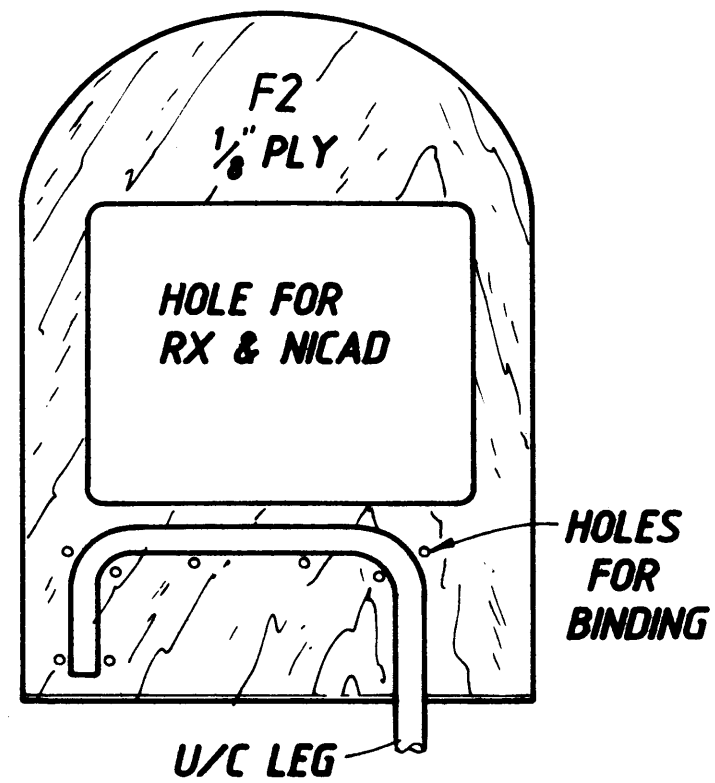
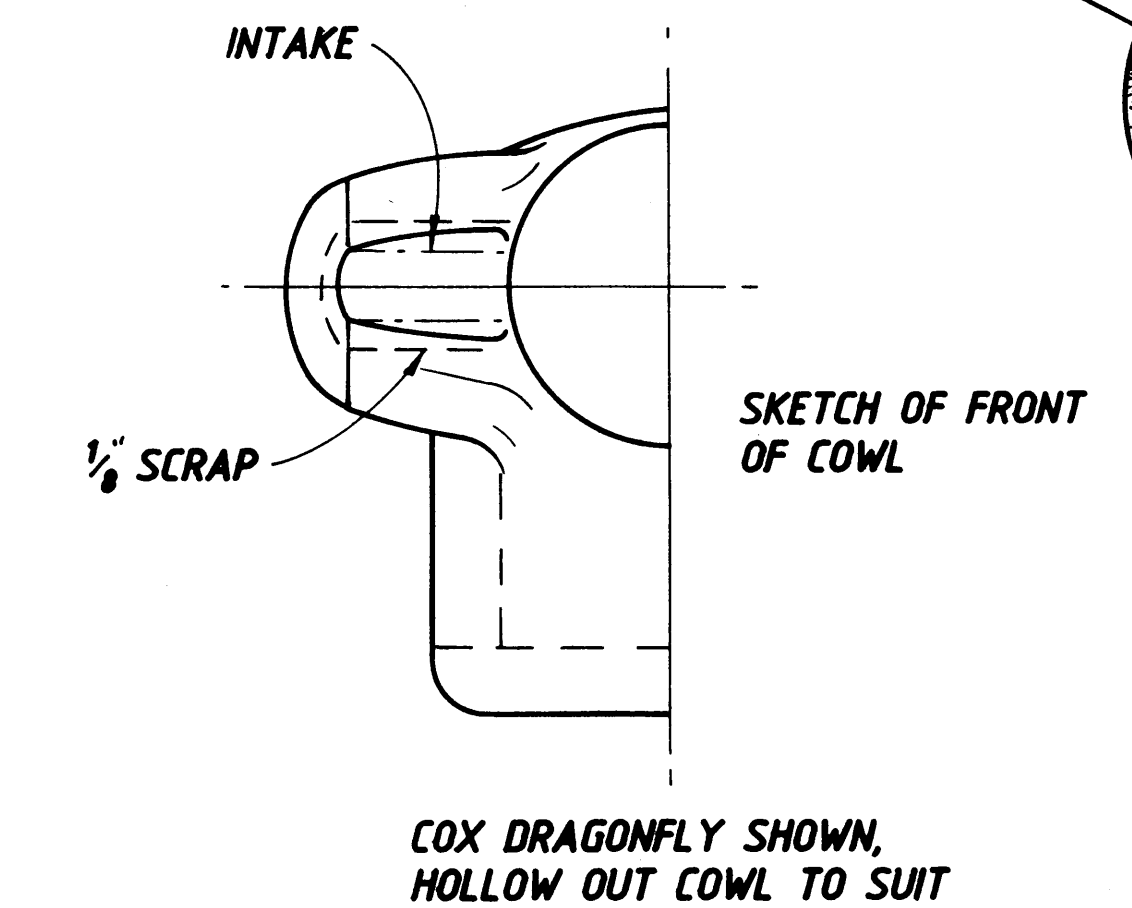
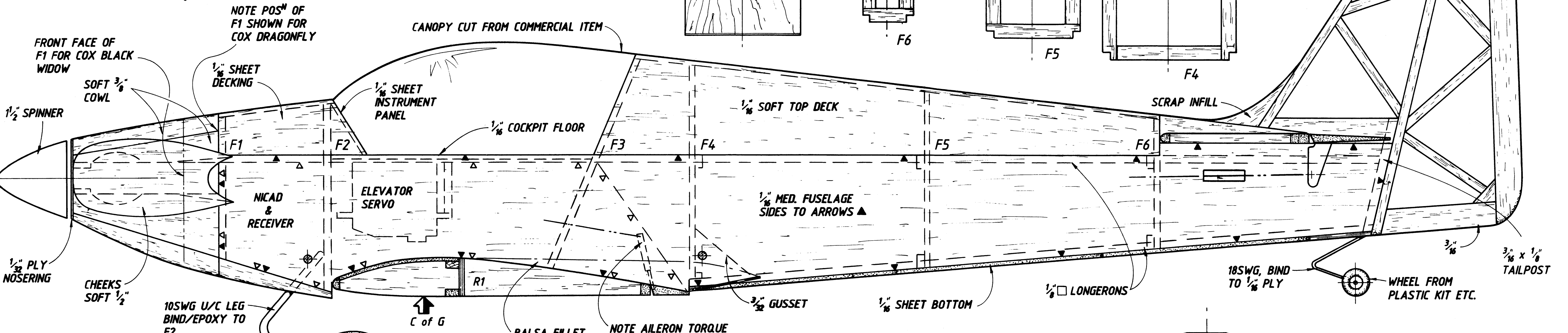
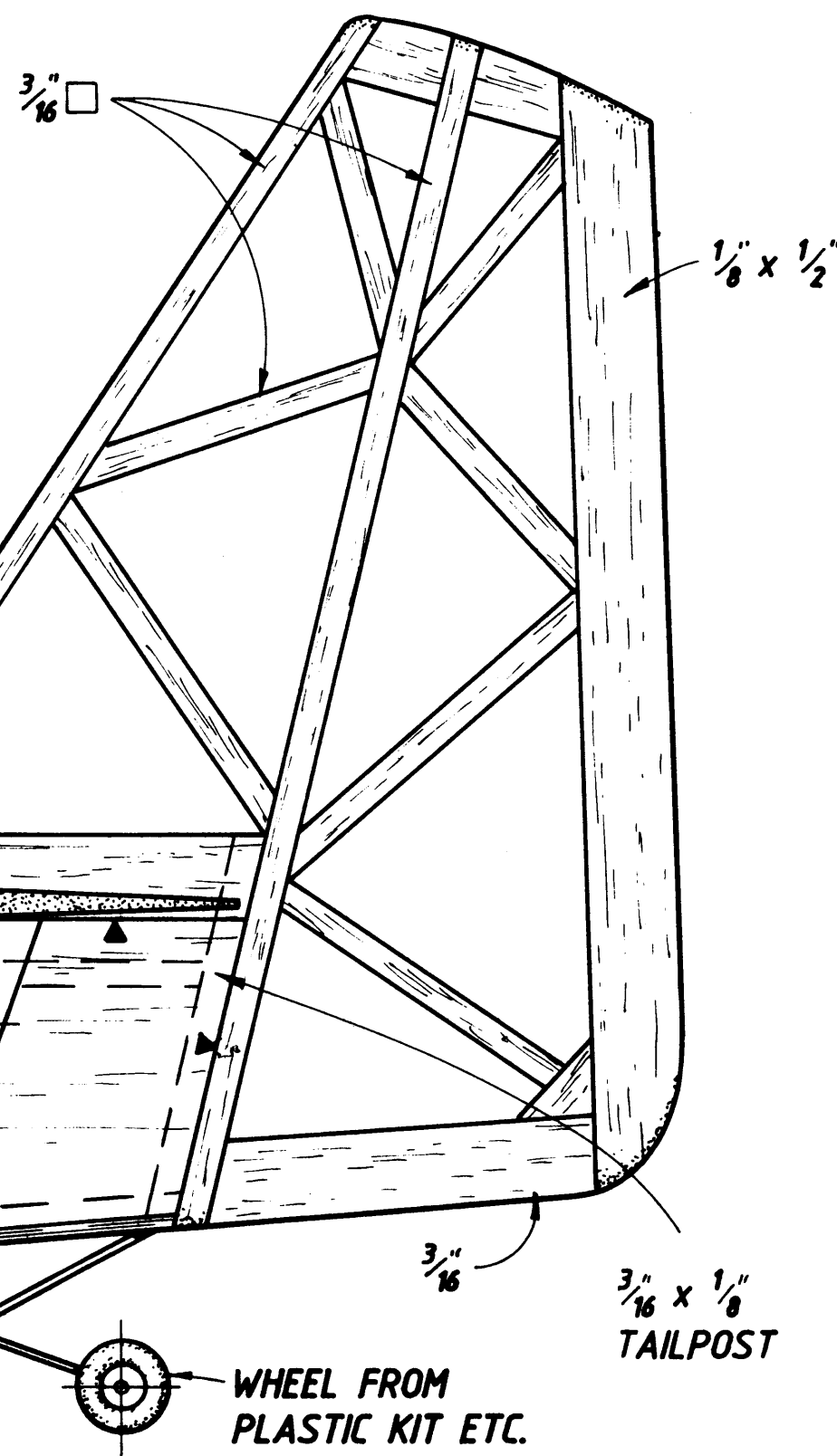
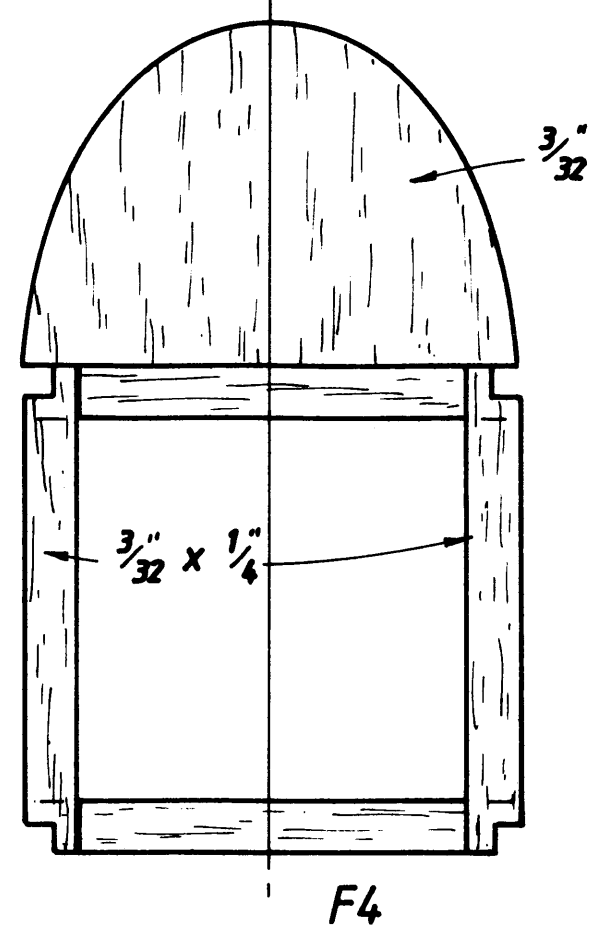
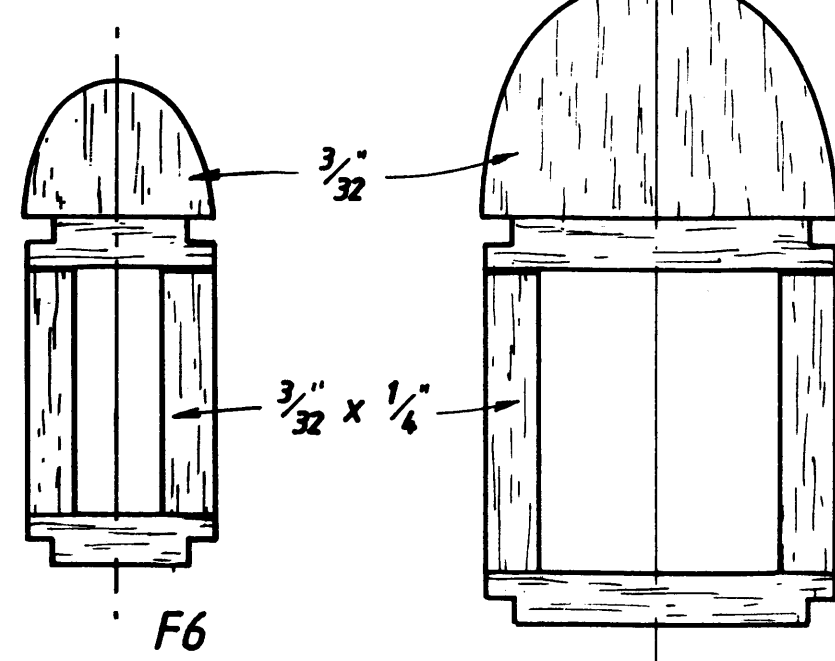
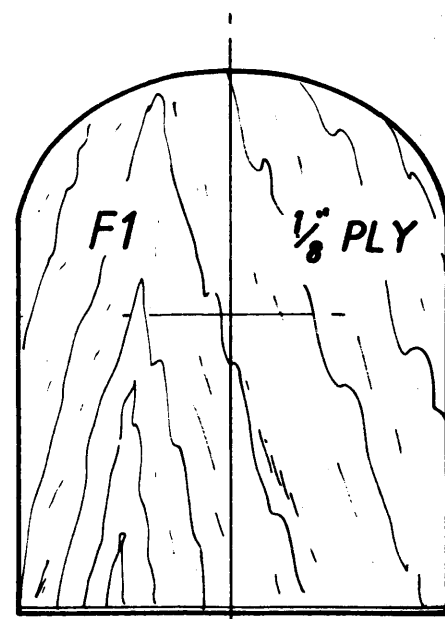


Free
ProPlans
Fournier RF4
 Motor glider
 giveaway



FIT THE TOPS OF F4, 5 & 6
 AFTER ASSY OF FUSELAGE BOX.

$\frac{1}{64}$ " PLY DOUBLERS TO FRONT
 OF F1, SHOWN Δ , GRAIN
 VERTICAL.



FOR SCALE DETAILS
 SEE PLAN PACK 3005.

ALL WOODS BALSA UNLESS
 OTHERWISE STATED.



CUT L.E. SHEET FOR AILERON SERVO

1/4" x 1/8" SPRUCE BEARER FOR OUTRIGGER

1/16" SOFT SHEET

TOP SPAR 1/8" x 1/4" SPRUCE OR HARD Balsa

3/16" DOUBLER FOR HINGE

1/16" GUSSETS

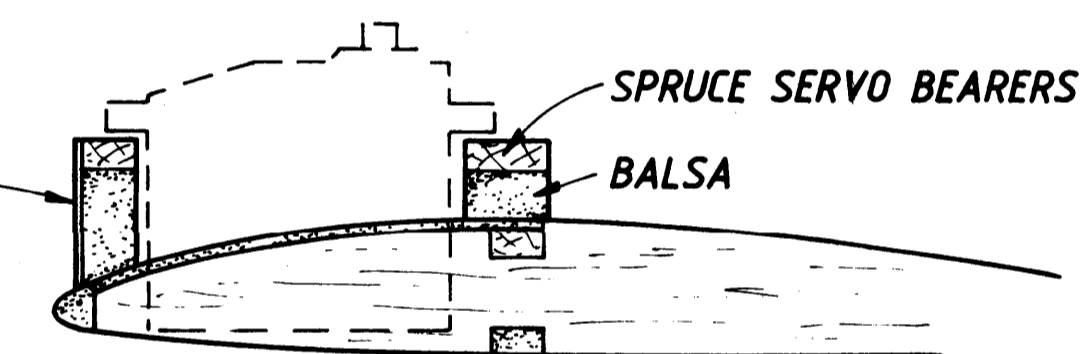
DIHEDRAL BRACE

R1

3/16" x 1/4"

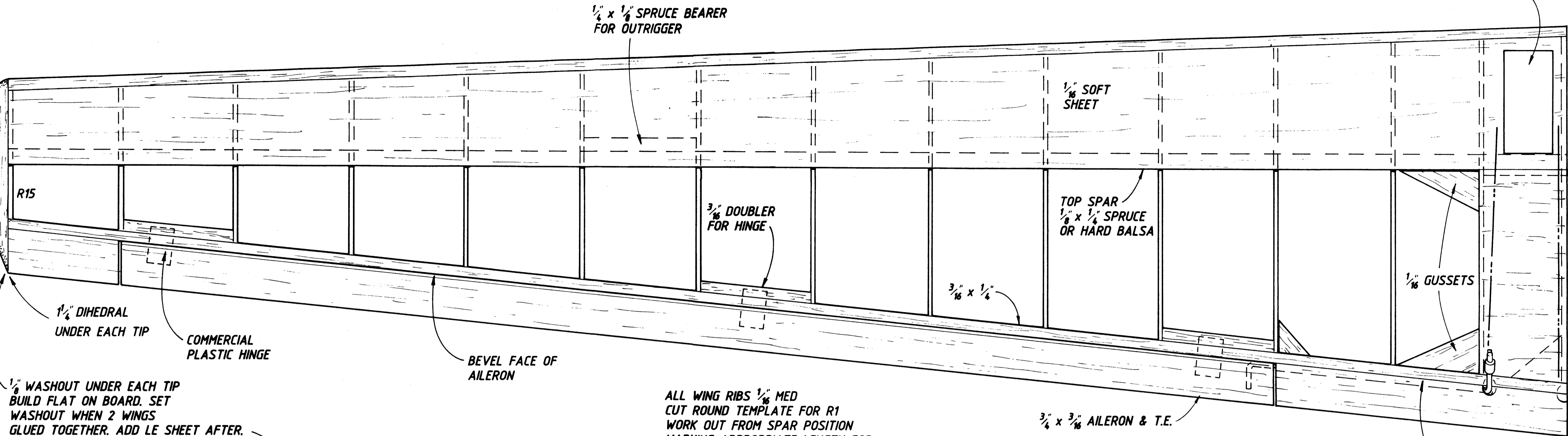
3/4" x 3/16" AILERON & T.E.

14SWG TORQUE RODS IN ALLY TUBE TUBE GLUED INTO T.E.



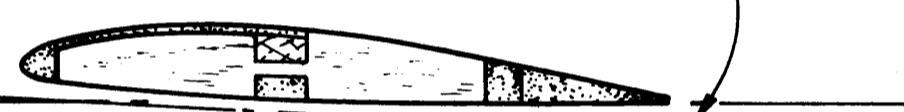
DETAIL TO SHOW AILERON SERVO MOUNTING

3/16" x 1/4" L.E.



1/8 WASHOUT UNDER EACH TIP BUILD FLAT ON BOARD. SET WASHOUT WHEN 2 WINGS GLUED TOGETHER. ADD LE SHEET AFTER.

ALL WING RIBS 1/16 MED CUT ROUND TEMPLATE FOR R1 WORK OUT FROM SPAR POSITION MARKING APPROPRIATE LENGTH FOR EACH RIB.



R15

FRONT VIEW OF OUTRIGGER (18SWG)

WHEEL FROM PLASTIC KIT ETC.

TOP VIEW BIND TO DOUBLER

1/16 PLY DIHEDRAL BRACE

