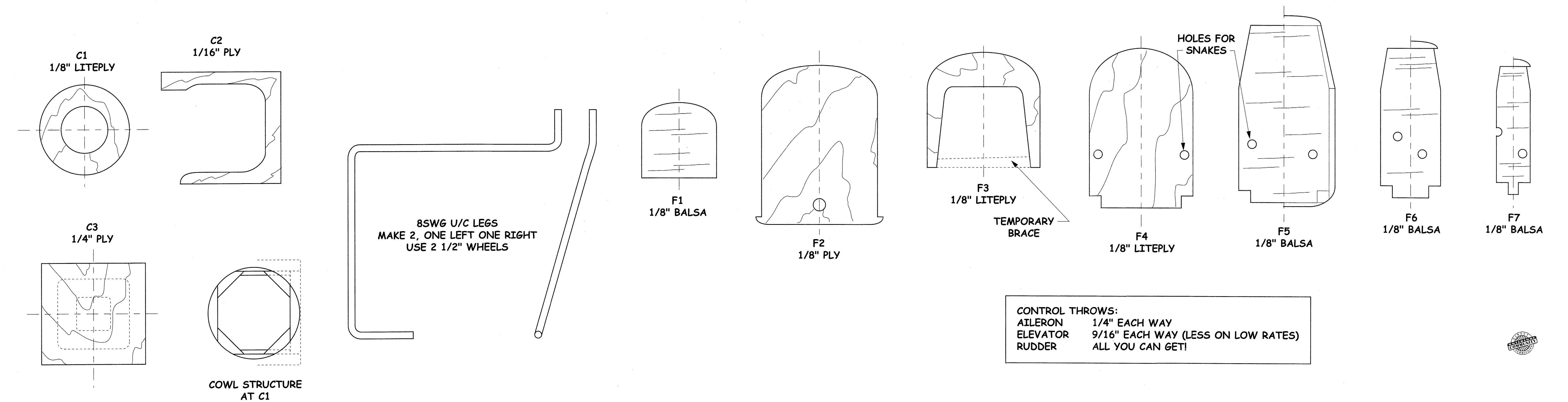
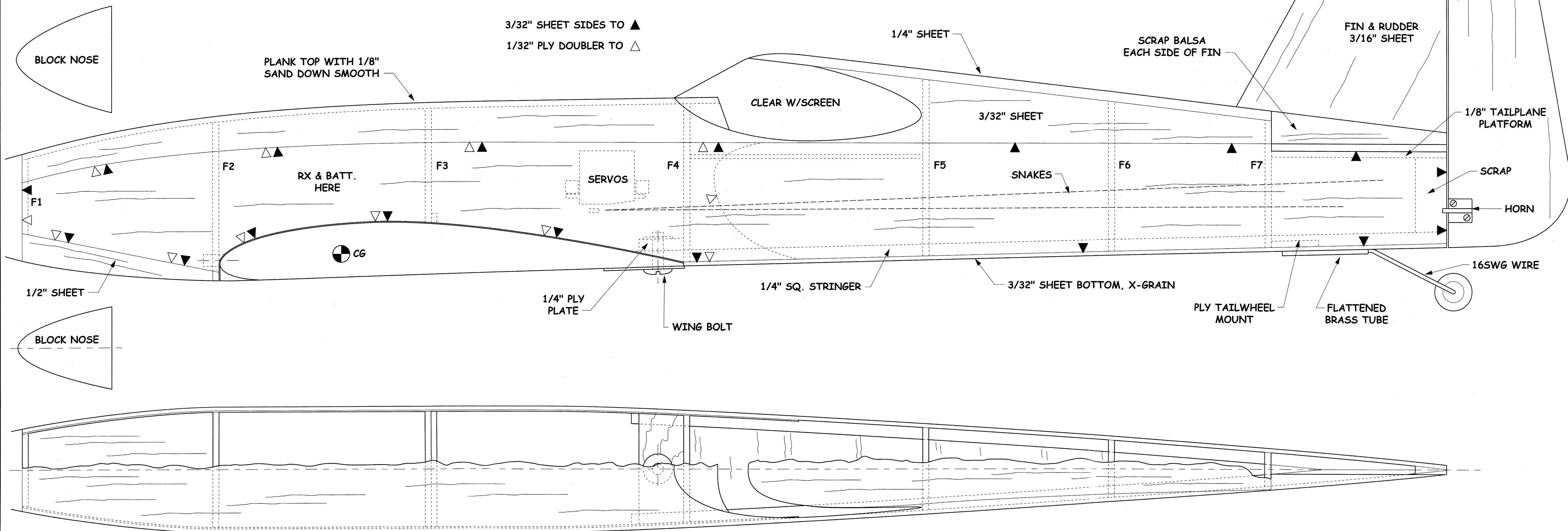
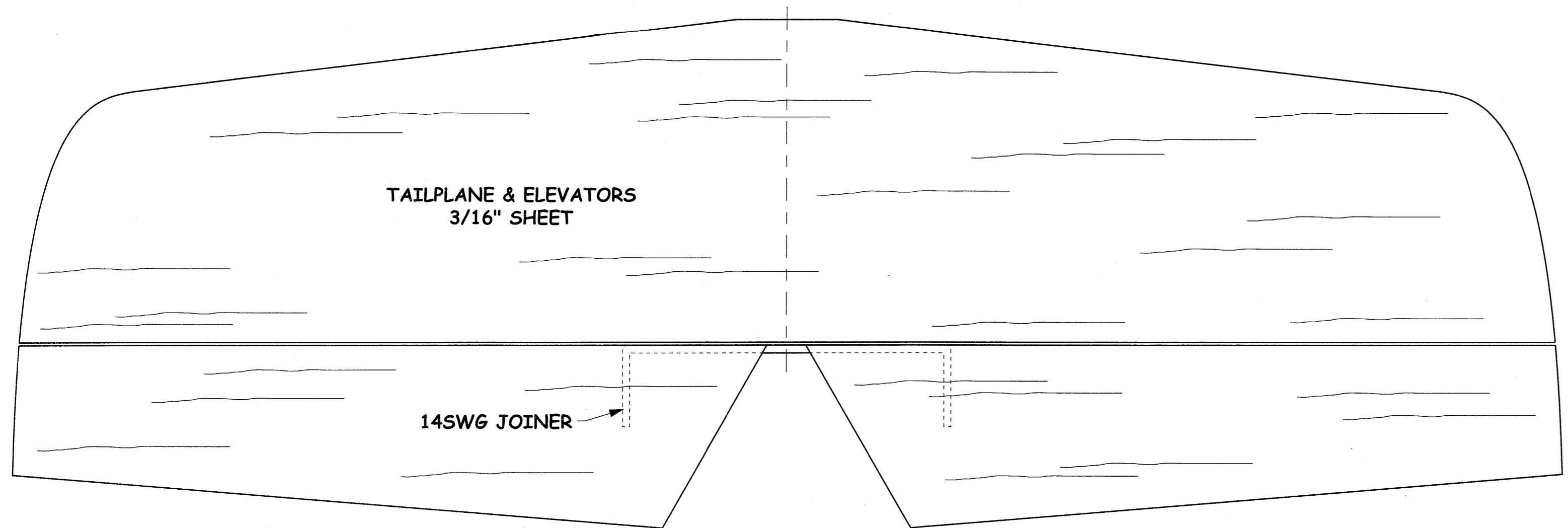


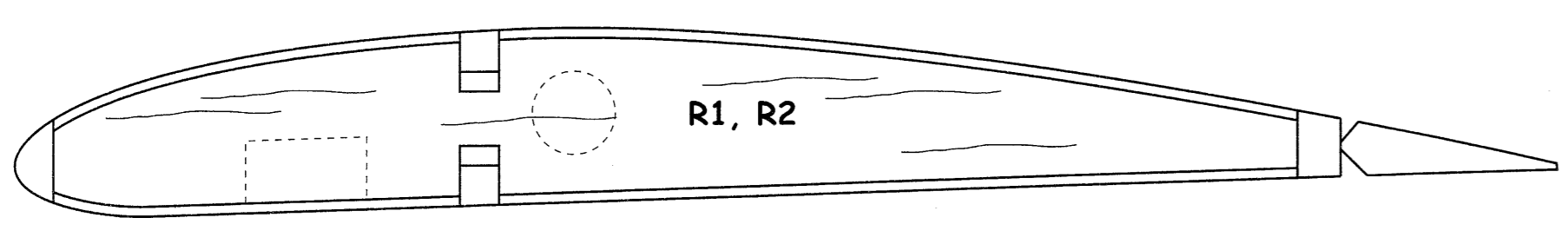
AMERICAN NIGHTMARE

A 49" SPAN MODEL FOR TWO .15 cu. in. ENGINES
DESIGNED BY PETER MILLER

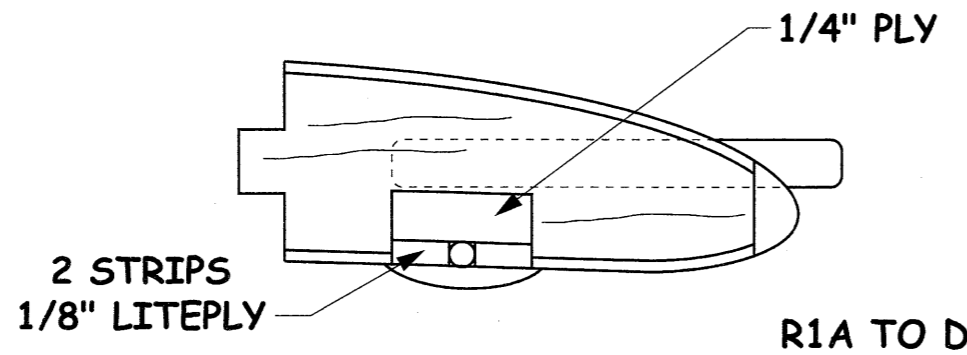




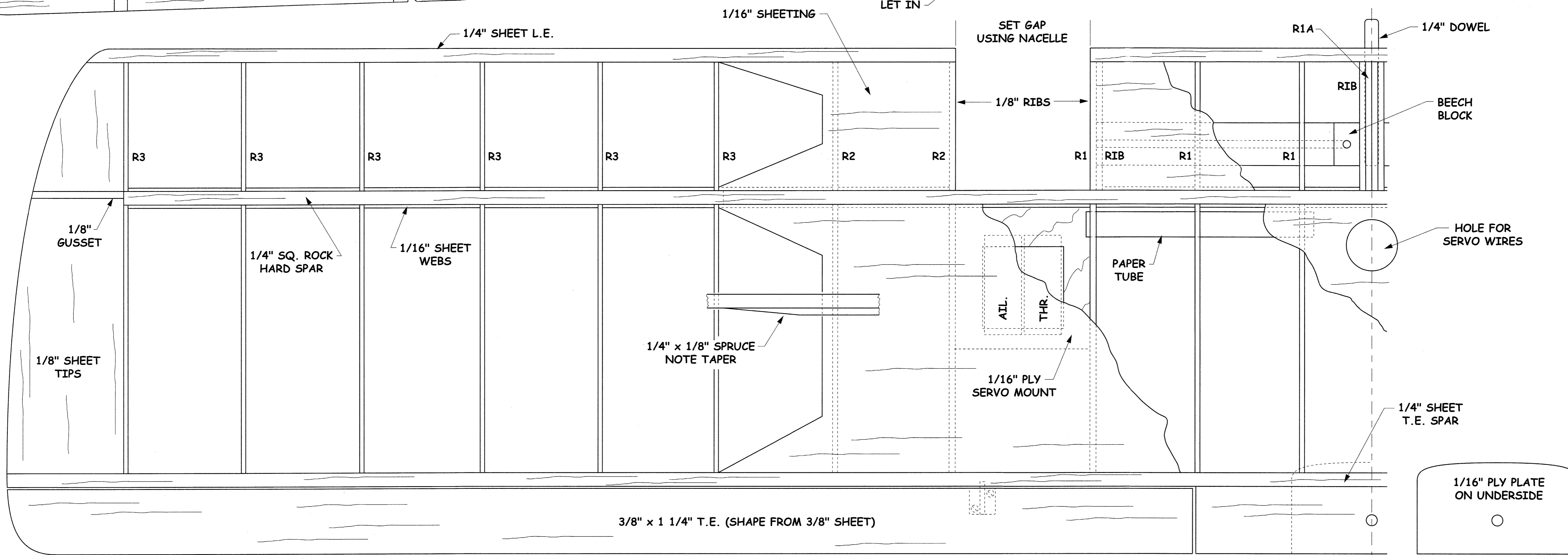
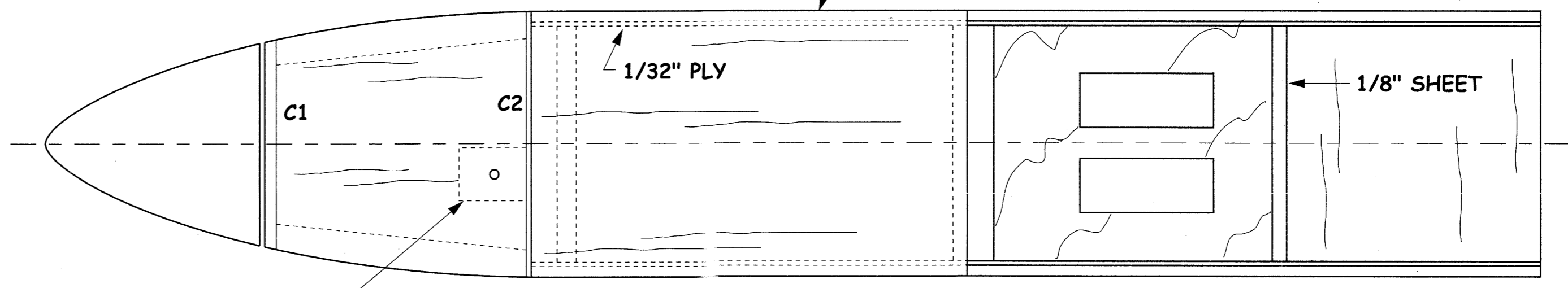
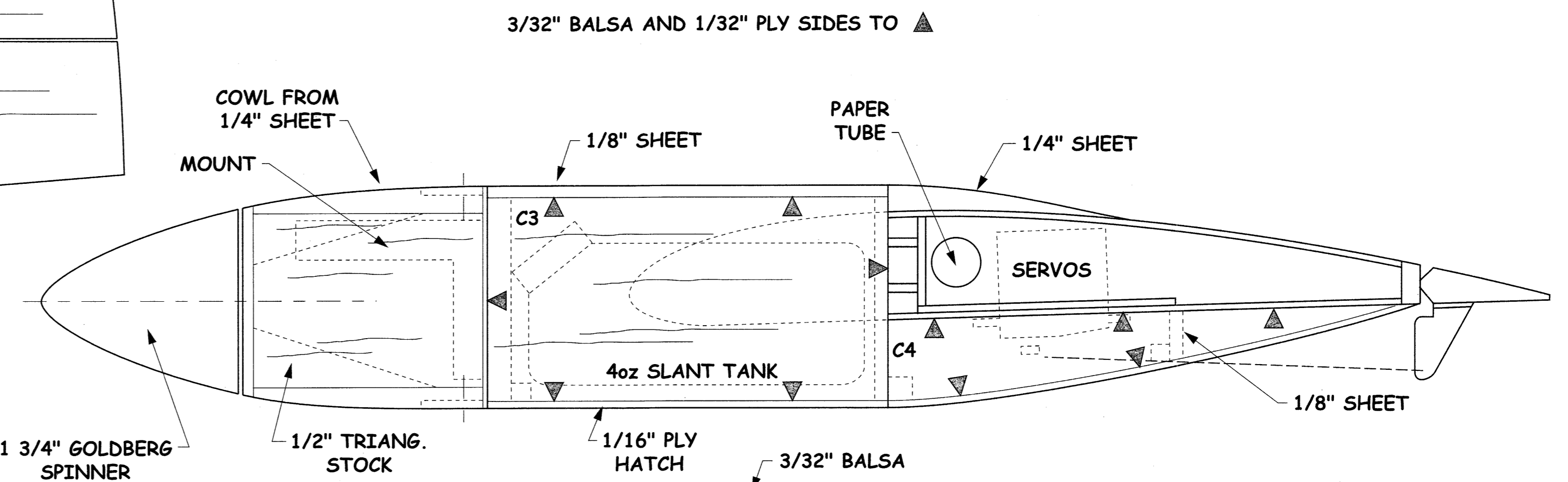
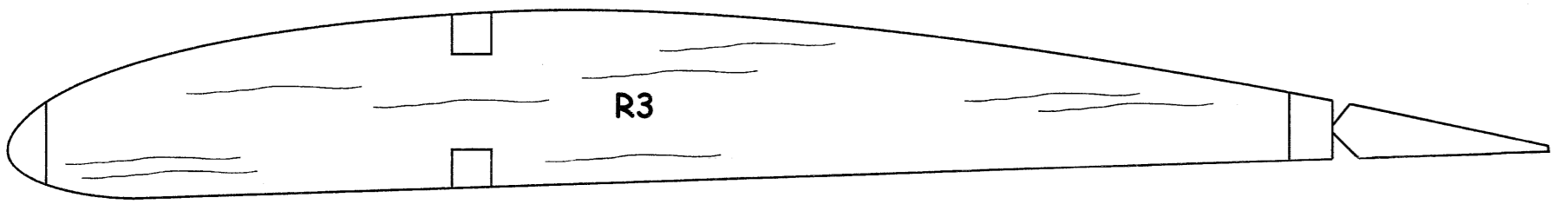
- RIBS:**
 RIB 4 OFF LITEPLY
 R1A 2 OFF 1/8" BALSA
 R1 4 OFF 3/32" BALSA
 R1 2 OFF 1/8" BALSA
 R2 2 OFF 1/8" BALSA
 R2 2 OFF 3/32" BALSA
 R3 12 OFF 3/32" Balsa



R1 TO DOTTED LINE
 R2 TO SOLID LINE



R1A TO DOTTED LINE
 RIB TO SOLID LINE



1/16" PLY PLATE
 ON UNDERSIDE