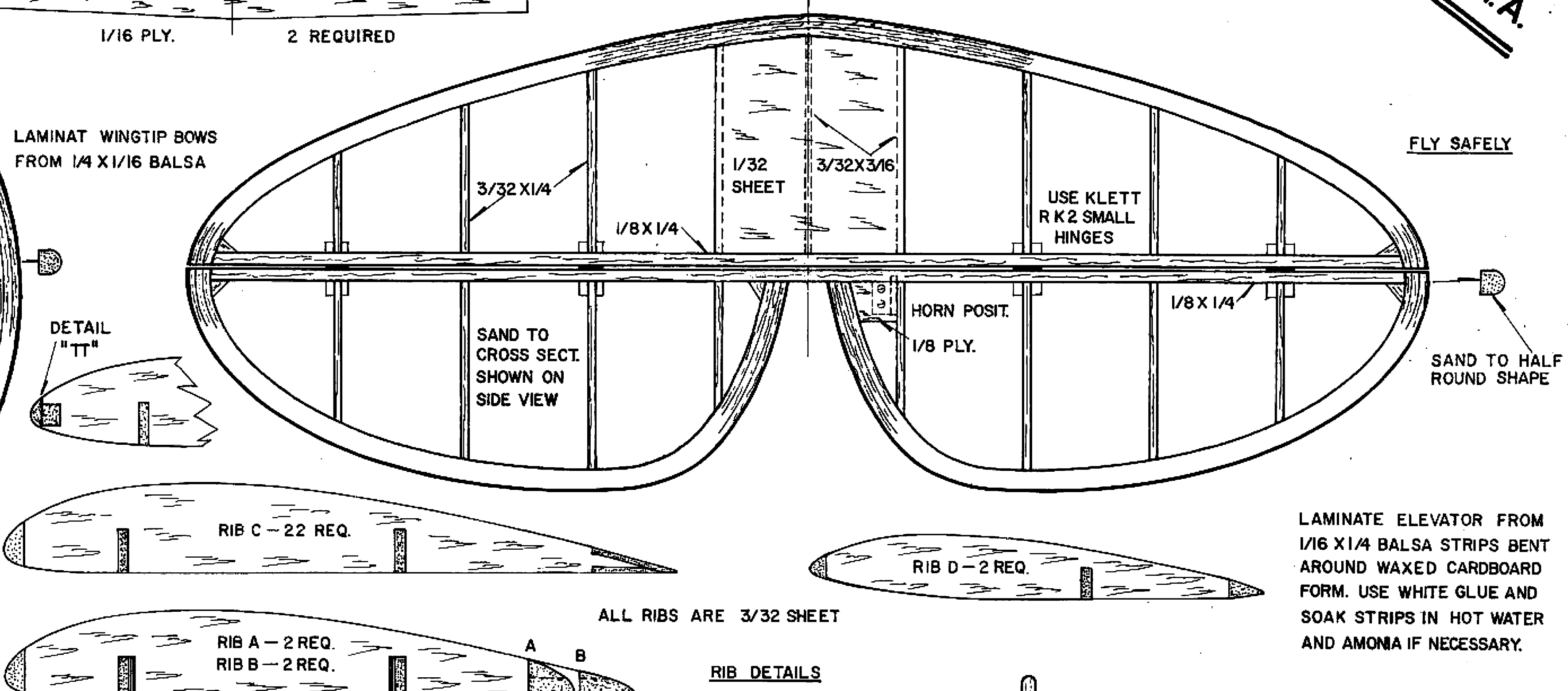
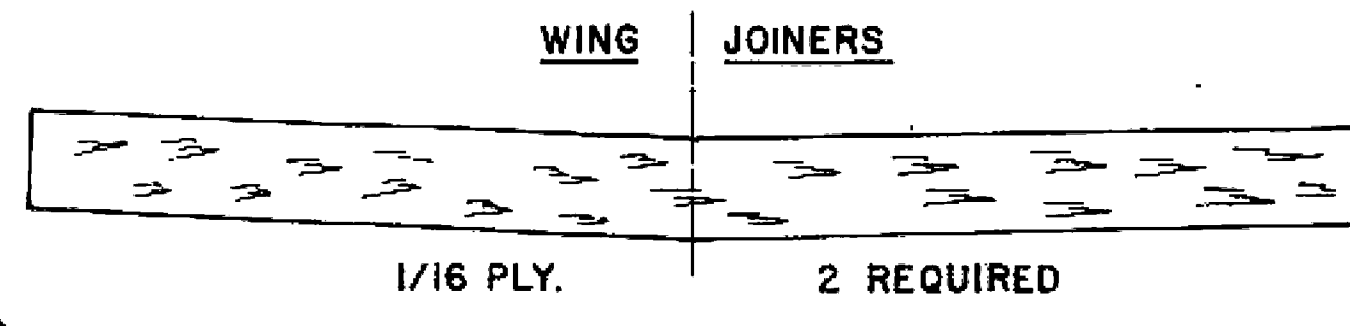
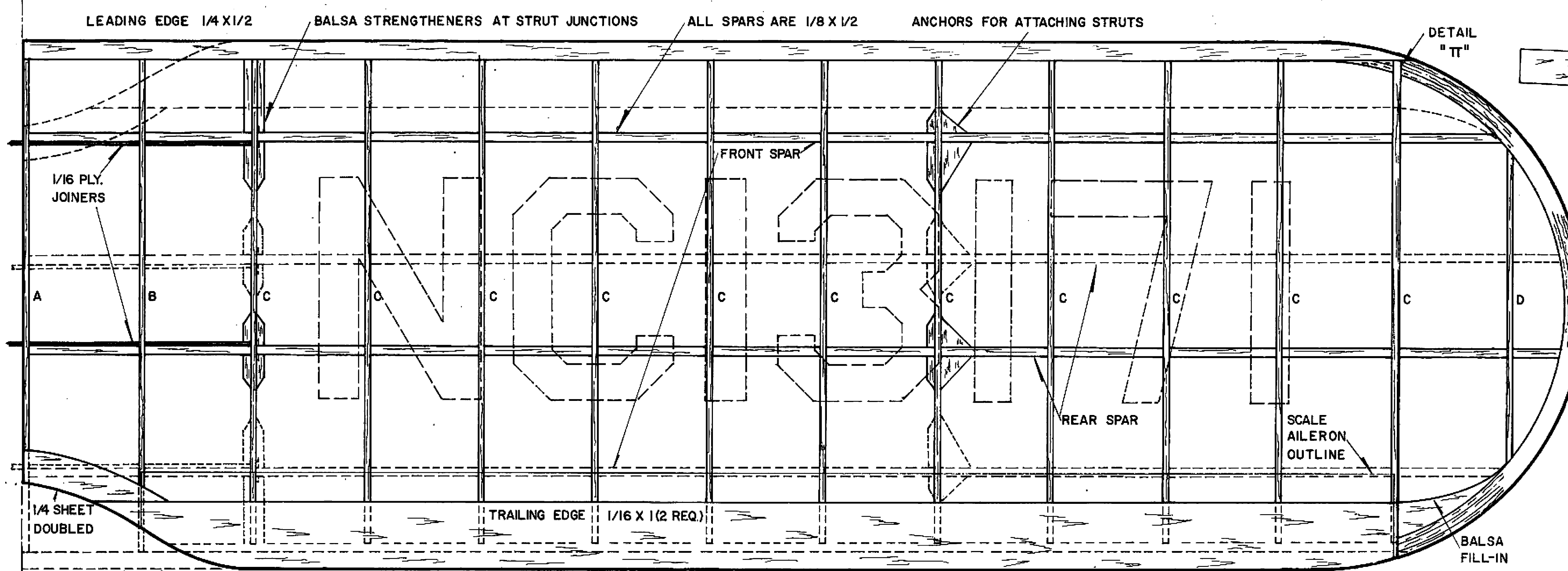


# ELEVATOR



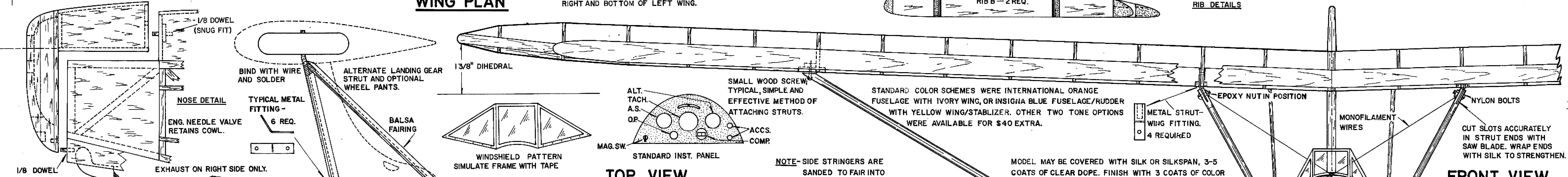
LAMINATE ELEVATOR FROM 1/16 X 1/4 BALSAs STRIPS BENT AROUND WAXED CARDBOARD FORM. USE WHITE GLUE AND SOAK STRIPS IN HOT WATER AND AMONIA IF NECESSARY.



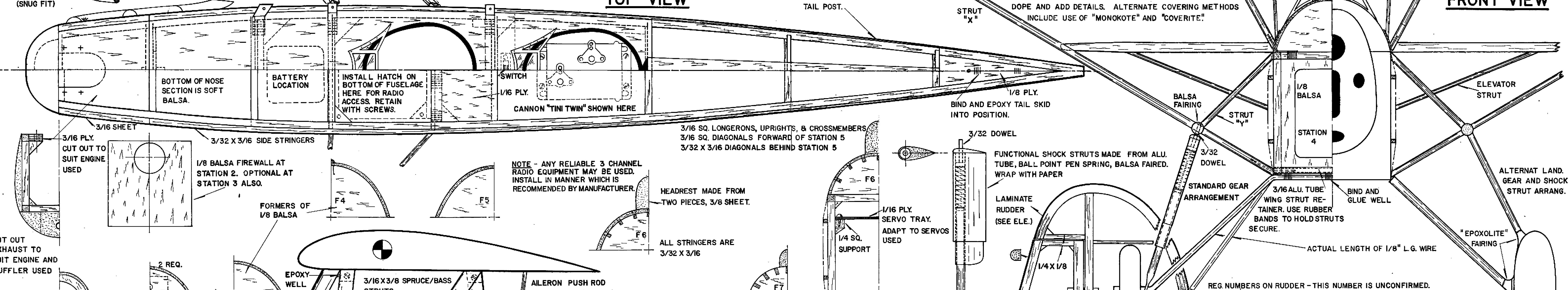
## WING PLAN

NOTE - LEFT WING PANEL SHOWN BY DOTTED LINES

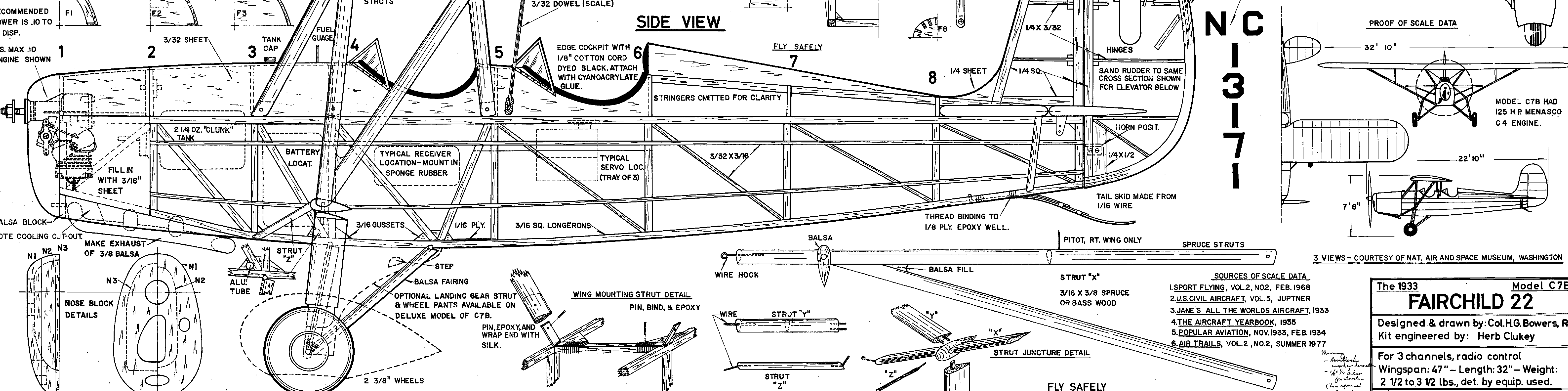
MASK AND PAINT REGISTRATION NUMBERS ON TOP OF RIGHT AND BOTTOM OF LEFT WING.



## TOP VIEW



## SIDE VIEW



N/C  
1-3-71

- SOURCES OF SCALE DATA  
1. SPORT FLYING, VOL. 2, NO. 2, FEB. 1968  
2. U.S. CIVIL AIRCRAFT, VOL. 5, JUPTNER  
3. JANE'S ALL THE WORLDS AIRCRAFT 1933  
4. THE AIRCRAFT YEARBOOK, 1935  
5. POPULAR AVIATION, NOV. 1933, FEB. 1934  
6. AIR TRAILS, VOL. 2, NO. 2, SUMMER 1977

The 1933 Model C7B  
**FAIRCHILD 22**  
Designed & drawn by: Col. H.G. Bowers, Ret.  
Kit engineered by: Herb Clukey  
For 3 channels, radio control  
Wingspan: 47" - Length: 32" - Weight:  
2 1/2 to 3 1/2 lbs., det. by equip. used.  
**FLYLINE MODELS**  
10643 ASHBY PL., FAIRFAX, VA. 22030