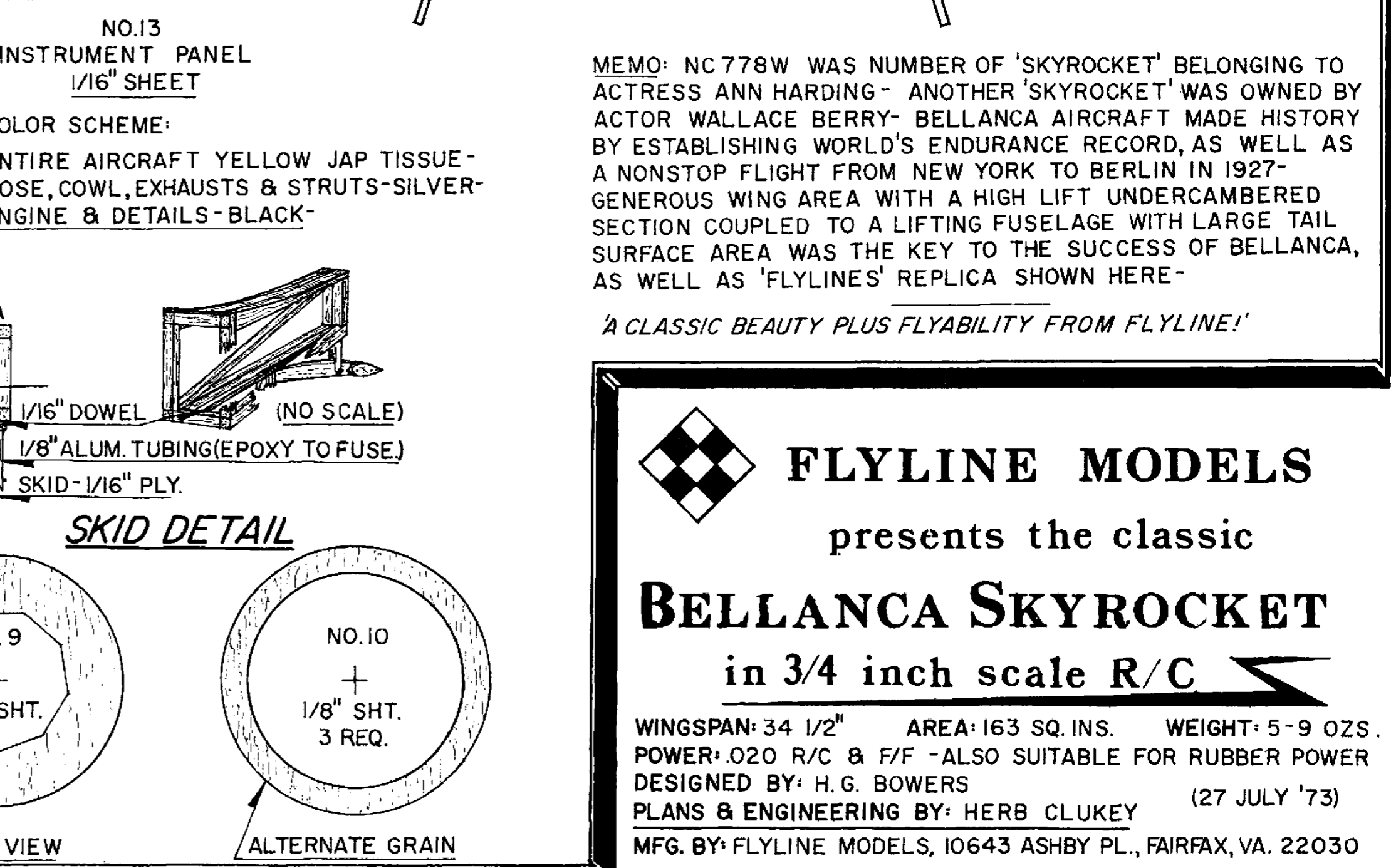
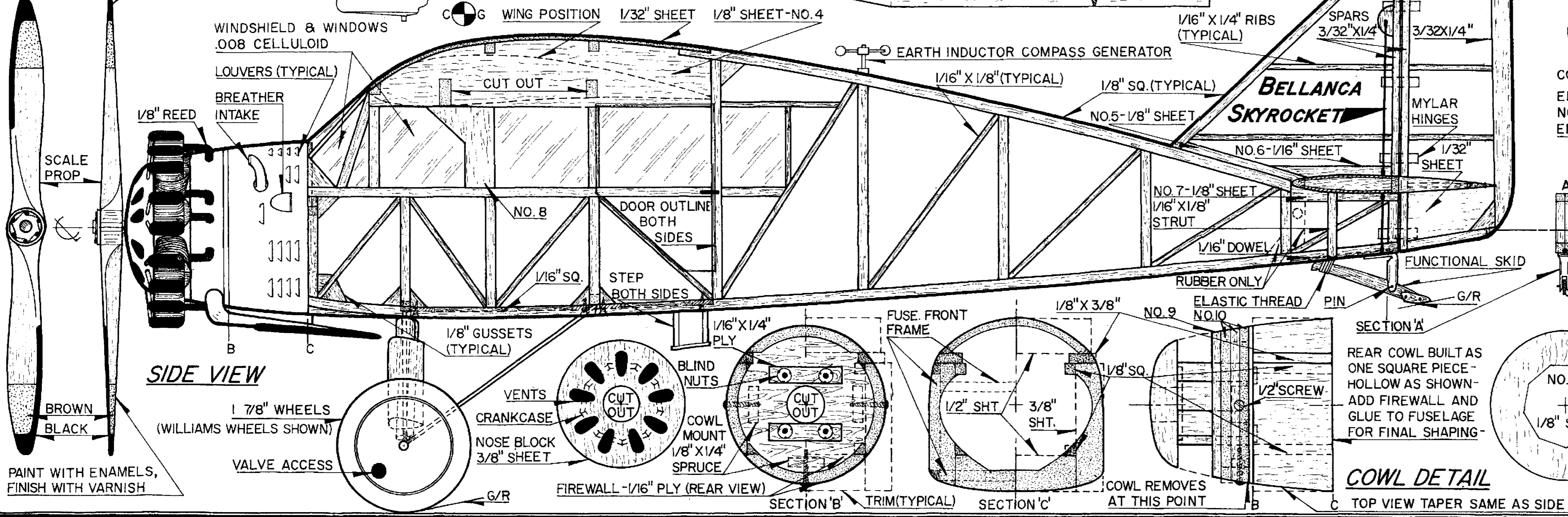
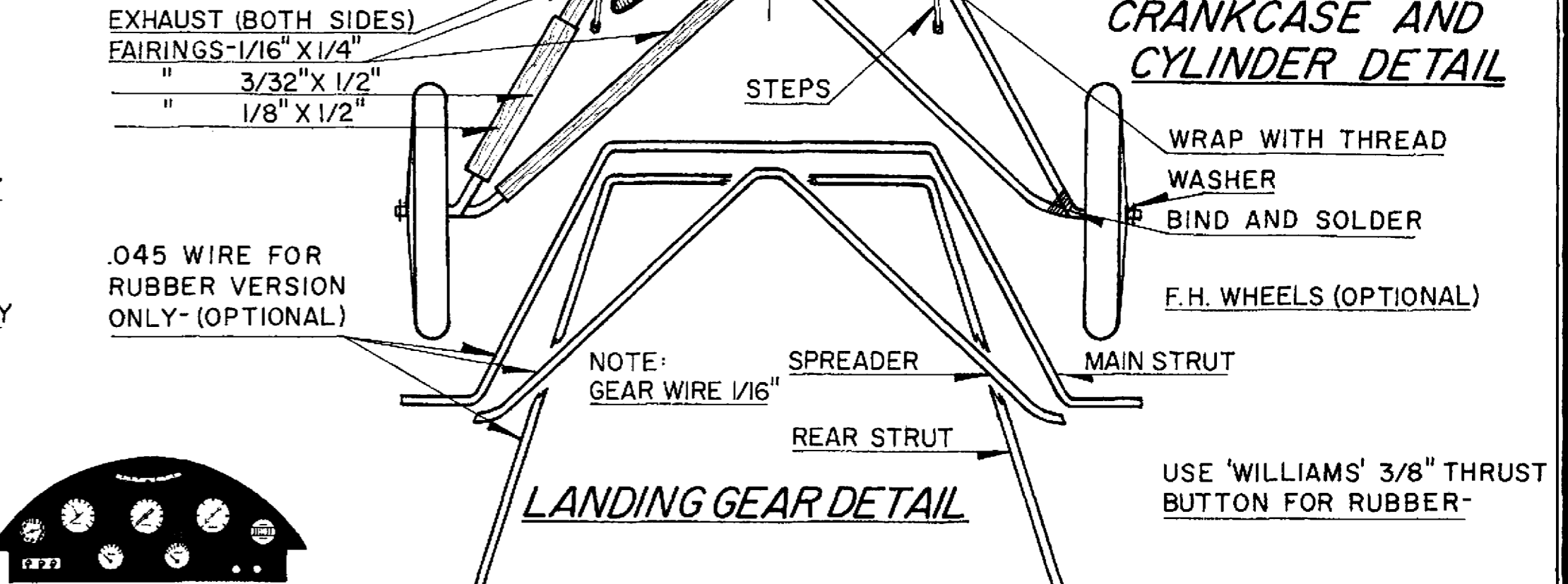
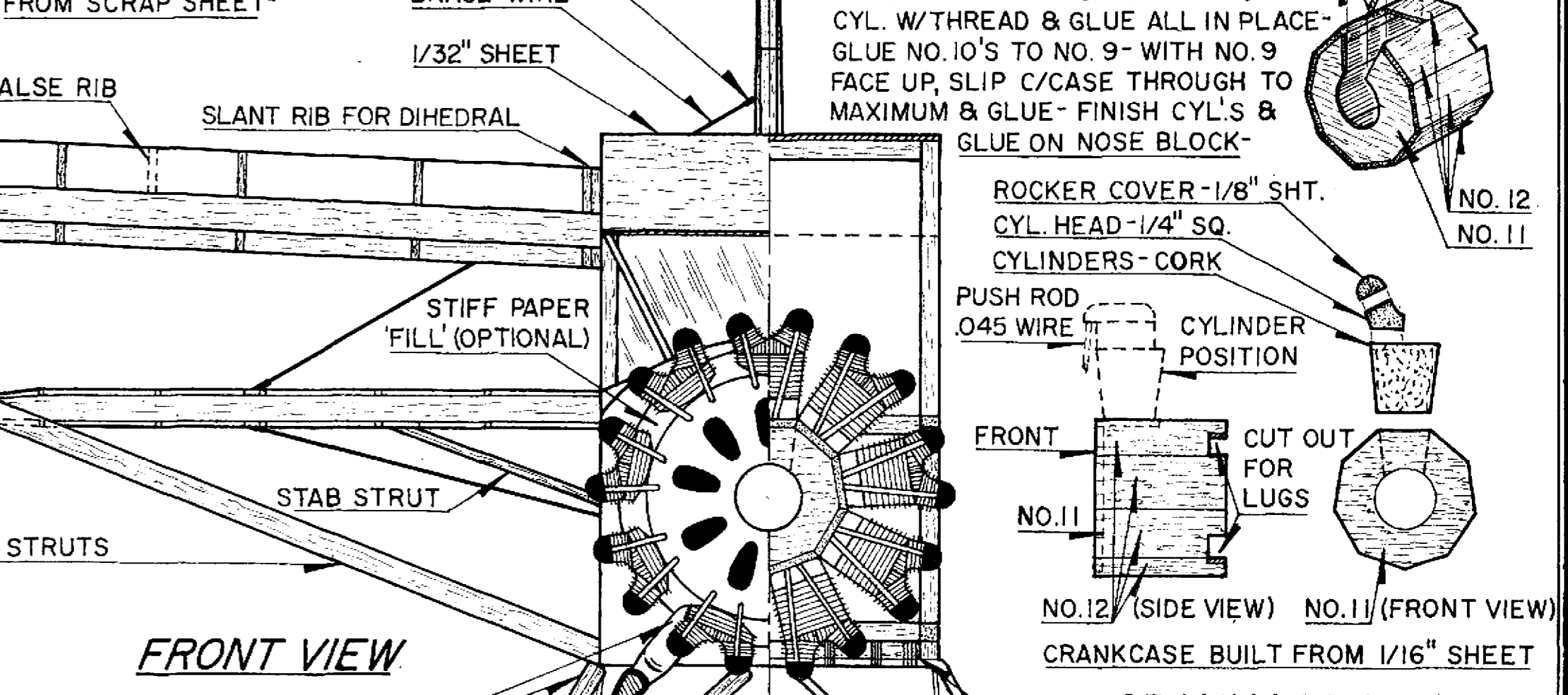
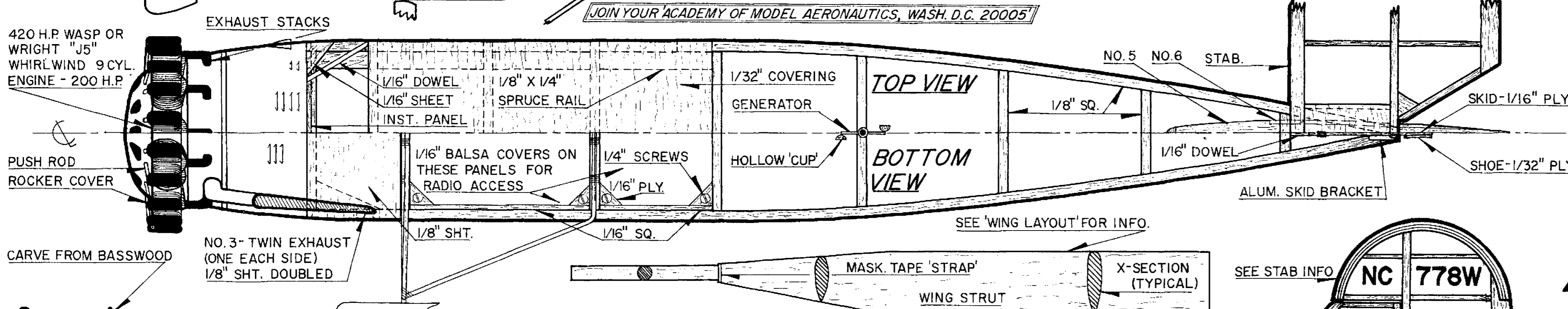
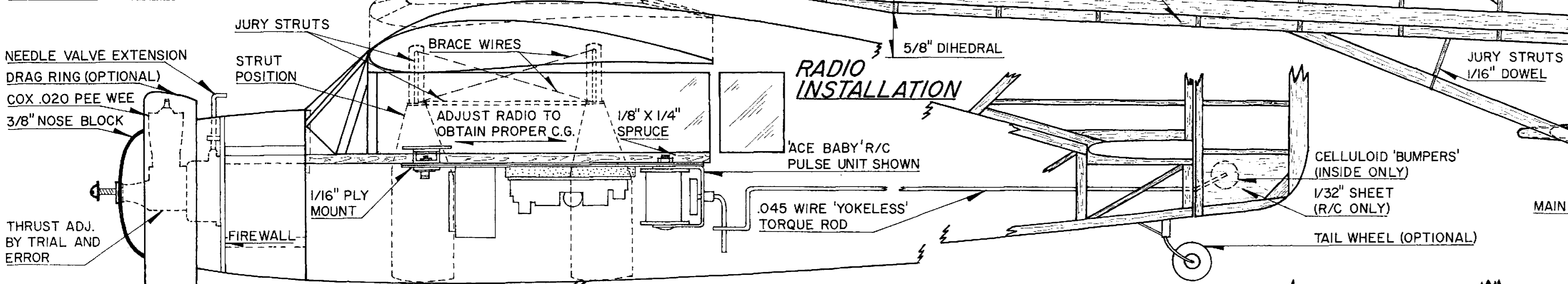


WING LAYOUT
 NOTE: JAP TISSUE USED FOR LIGHTNESS, HOWEVER STRUCTURE IS STRONG ENOUGH FOR MOST TYPES OF COVERING MATERIAL
 NOTE: REVERSE (TURN OVER) PLAN FOR RIGHT PANEL



MEMO: NC 778W WAS NUMBER OF 'SKYROCKET' BELONGING TO ACTRESS ANN HARDING - ANOTHER 'SKYROCKET' WAS OWNED BY ACTOR WALLACE BERRY - BELLANCA AIRCRAFT MADE HISTORY BY ESTABLISHING WORLD'S ENDURANCE RECORD, AS WELL AS A NONSTOP FLIGHT FROM NEW YORK TO BERLIN IN 1927 - GENEROUS WING AREA WITH A HIGH LIFT UNDERCAMBERED SECTION COUPLED TO A LIFTING FUSELAGE WITH LARGE TAIL SURFACE AREA WAS THE KEY TO THE SUCCESS OF BELLANCA, AS WELL AS 'FLYLINES' REPLICA SHOWN HERE -
 'A CLASSIC BEAUTY PLUS FLYABILITY FROM FLYLINE!'

FLYLINE MODELS
 presents the classic
BELLANCA SKYROCKET
 in 3/4 inch scale R/C

WINGSPAN: 34 1/2" AREA: 163 SQ. INS. WEIGHT: 5-9 OZS.
 POWER: .020 R/C & F/F - ALSO SUITABLE FOR RUBBER POWER
 DESIGNED BY: H.G. BOWERS (27 JULY '73)
 PLANS & ENGINEERING BY: HERB CLUKEY
 MFG. BY: FLYLINE MODELS, 10643 ASHBY PL., FAIRFAX, VA. 22030