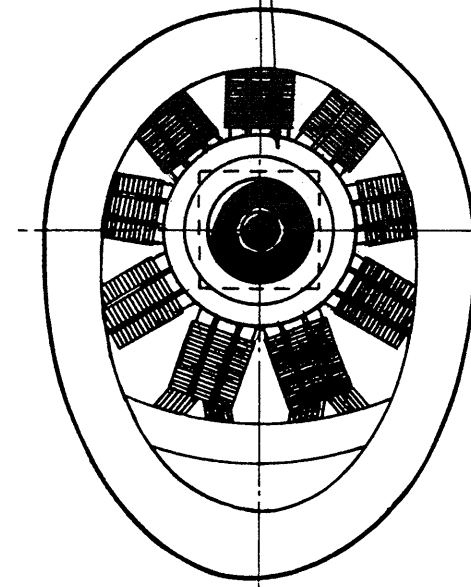


REMOVE CENTER OF VAC-FORM TO FIT NOSE PLUG



FRONT VIEW OF COWL

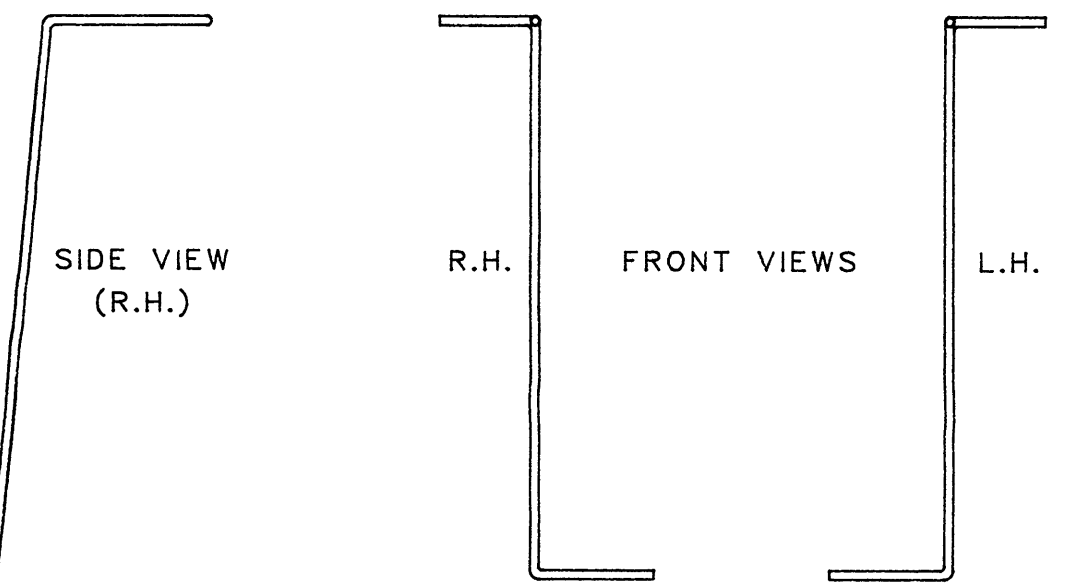
SHORTEN PROP SHAFT, FIT THROUGH NOSE PLUG & PROPELLOR THEN BEND END AT 90°

COVER COWLING BETWEEN F2 & F3 WITH 1/32" Balsa SHEET

STRINGER OMITTED BETWEEN FORMERS FOR CLARITY

ALL STRINGERS 1/16" SQUARE

WHEN FUSELAGE ASSEMBLY IS COMPLETE CUT THROUGH F11 TO ENABLE HORIZONTAL STABILIZER TO BE FITTED INTO SLOT



FORM LANDING GEAR LEGS FROM .045" MUSIC WIRE, MAKE ONE LEFT HAND & ONE RIGHT HAND

SOFT 3/16" Balsa SHEET EACH SIDE, SHAPE TO BLEND INTO RUDDER

1/2" TAILWHEEL

VAC-FORM TURBO CHARGER EXHAUSTS

1/8" DOWEL TO RETAIN RUBBER MOTOR

STRINGER OMITTED BETWEEN FORMERS FOR CLARITY

READ THE INSTRUCTIONS BEFORE STARTING TO BUILD

LINE OF PAPER FILLET, FIT AFTER COVERING

MAKE LANDING GEAR DOORS FROM THIN CARD

GLUE W17 TO THIS AREA OF STRINGER

MARK OUTLINE OF COOLING GILLS WITH FINE POINT PEN

1 1/2" PLASTIC WHEELS

SCALLOP FORMERS BETWEEN STRINGERS

FILLET

SECTION AT F6

LANDING GEAR WIRE

GLUE WINGS TO FUSELAGE AFTER MODEL IS COVERED. ENSURE THAT LOWER EDGES OF W1 RIBS ARE ACCURATELY ALIGNED WITH BOTTOM EDGES OF F12

LANDING GEAR CAN BE OMITTED TO IMPROVE FLIGHT PERFORMANCE

MAKE NOSE PLUG A GOOD FIT IN N4 BUT DO NOT GLUE

VAC-FORM COWLING SHOWN SIMPLIFIED FOR CLARITY

FIT W17 AFTER COVERING MODEL & ATTACHING WINGS

UNDERSIDE VIEW

N1 N2 N3

N4

PLASTIC NOSE BUTTON

UPPERSIDE VIEW

FILLET



P-47 THUNDERBOLT

KIT #6004

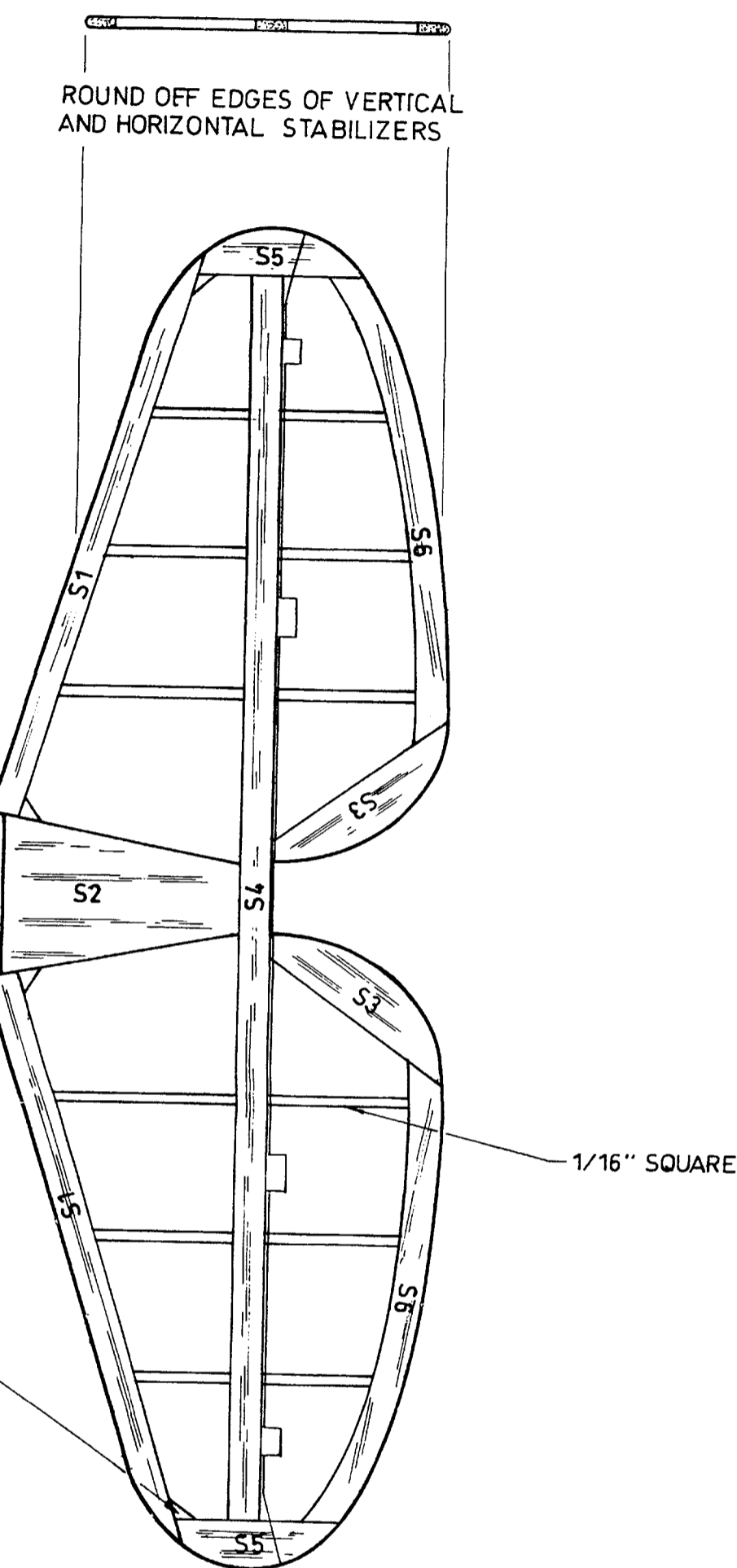
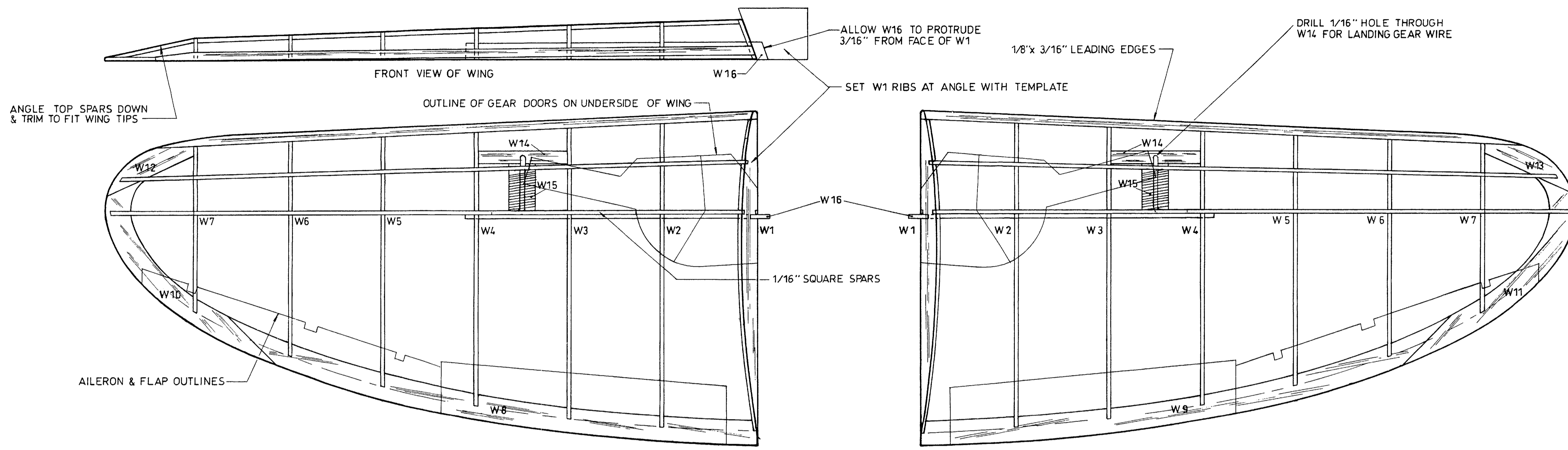
Wingspan: 22" (55.9 cm)

Length: 18-1/8" (46 cm)

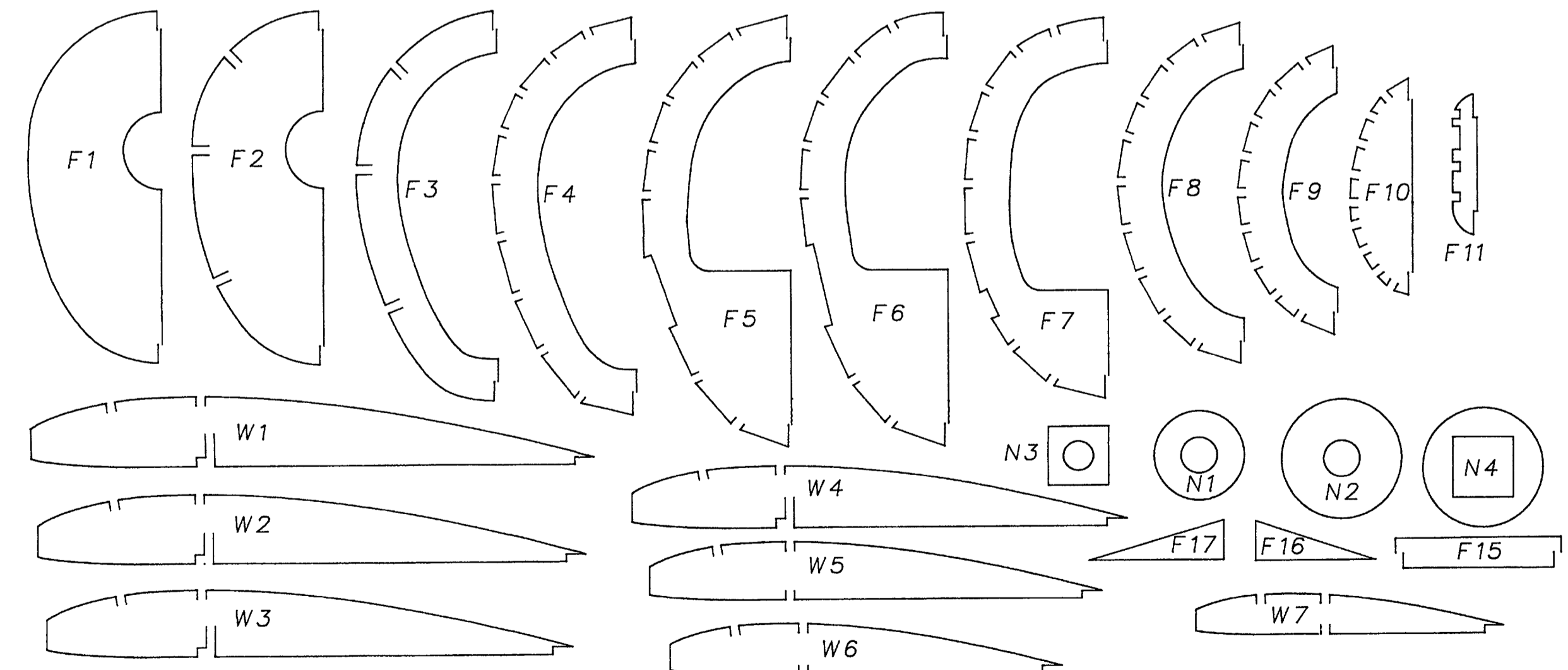
Drawings by: Peter Shepherd

SHEET 1 OF 2

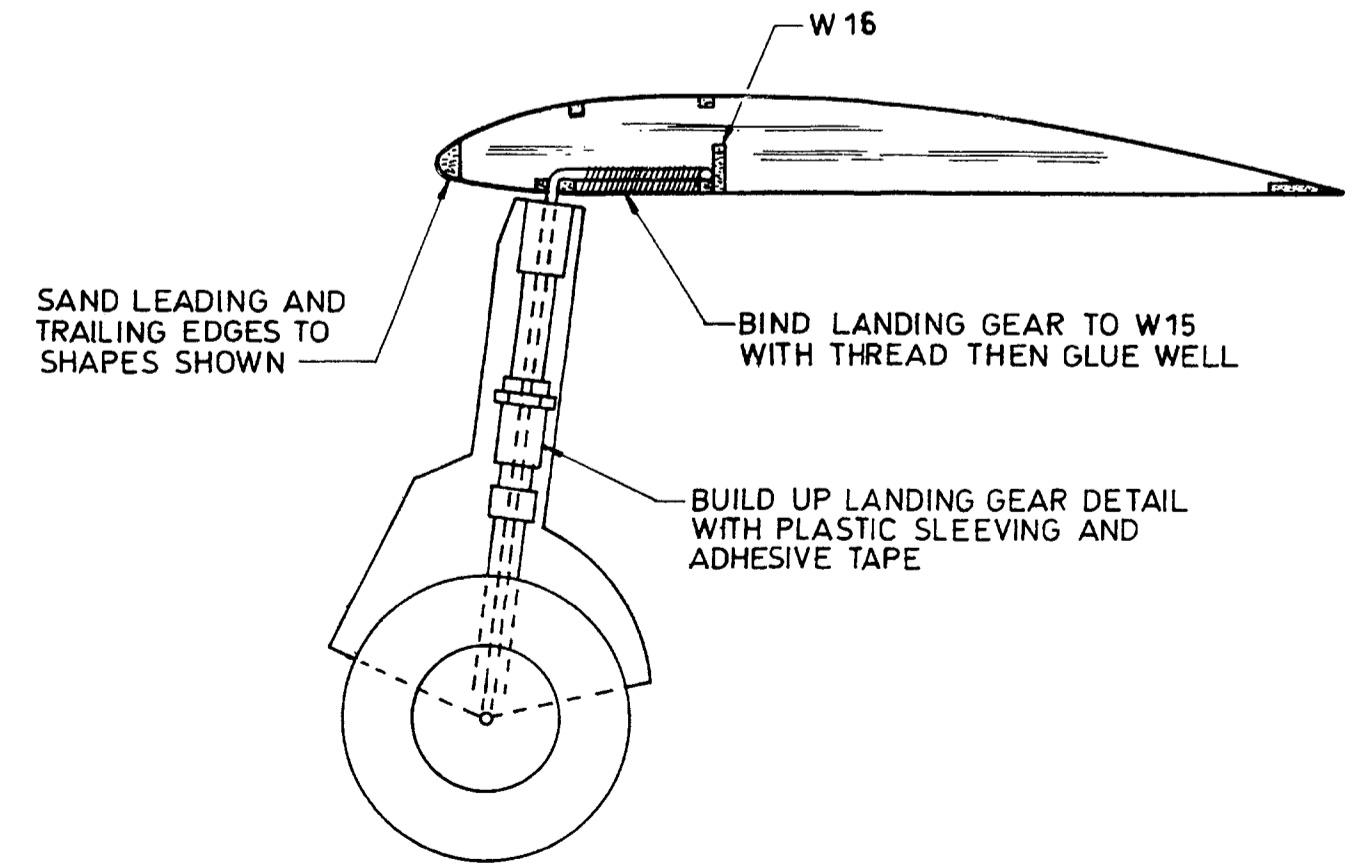
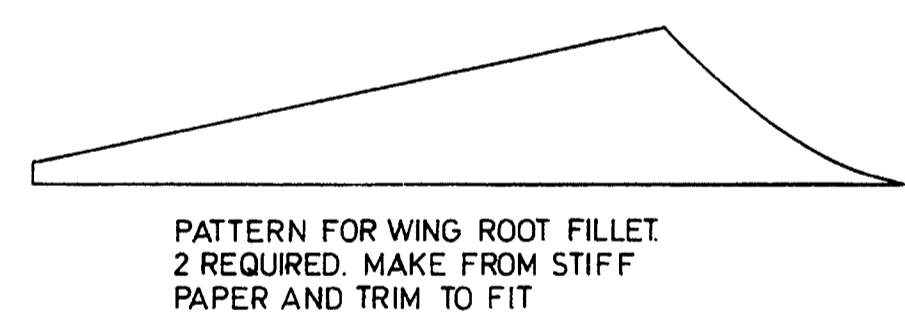
© Copyright Estes Industries 1997. All Rights Reserved. (3/97) PN 58640



READ THE INSTRUCTIONS BEFORE STARTING TO BUILD



USE THESE PATTERNS TO REPLACE PARTS WHICH BECOME DAMAGED



1295 H STREET
PENROSE, CO 81240 USA

P-47 THUNDERBOLT

KIT #6004

Wingspan: 22" (55.9 cm)

Length: 18-1/8" (46 cm)

Drawings by: Peter Shepherd

SHEET 2 OF 2

© Copyright Estes Industries 1997. All Rights Reserved. (3/97) PN 58641