

laminated outline  
from 4 off  
1/32x1/16 balsa

TS 1/16 balsa

horn 1/32 ply

T2 1/16 balsa

tail from  
1/16 balsa  
size or shape shown

T1 1/16 balsa

section at nose

block balsa

M 1/32 ply

1/16 sq. balsa

F1

FS

F1 1/16 balsa

block balsa

block balsa

1/32 balsa

1/16 sq. stringers

1/16 sq. balsa

block balsa  
each side  
of fin

cut slot  
for tail

F2A

F3A

F3

F5

F6

F7

F8

T1

ele. exit this side

1/16x1/8  
horn

TS between sides

laminated skid

spinner shown is from  
UM P-40

equipment shown  
Vapor Rx brick  
PZ 8.5mm motor unit

1" wheels

F2A 1/32 ply

F4 1/16 balsa

F5 1/16 balsa

outer stringers  
butt against F8

T4 1/16 balsa

T5 1/16 balsa

F8 1/16 balsa

Peter Rake's  
**Interceptor**  
Copyright P. Rake 2015

sand front  
to match  
side thrust

M

TS

spar fits here

locating dowels fit here

FS 1/16 balsa

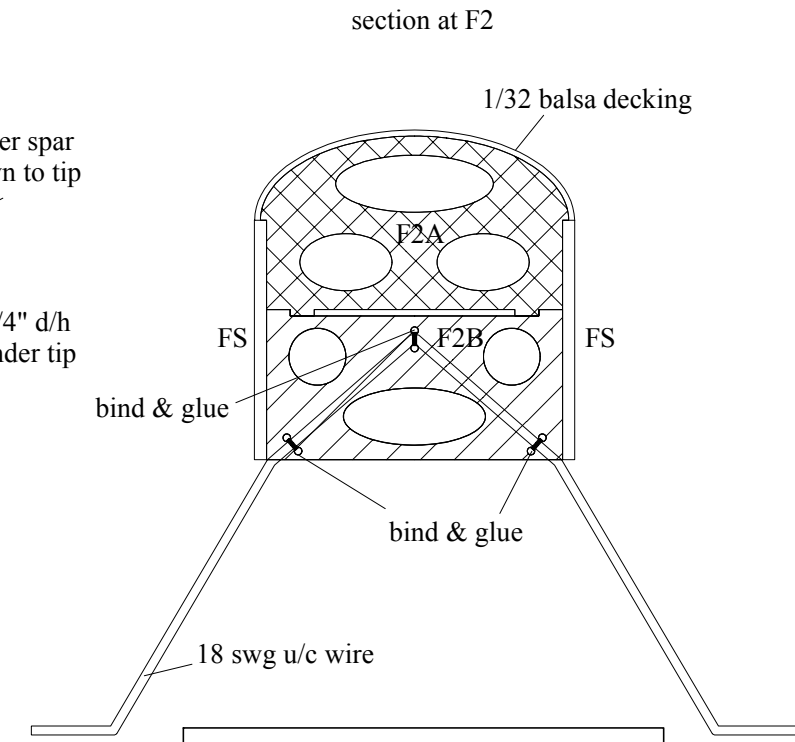
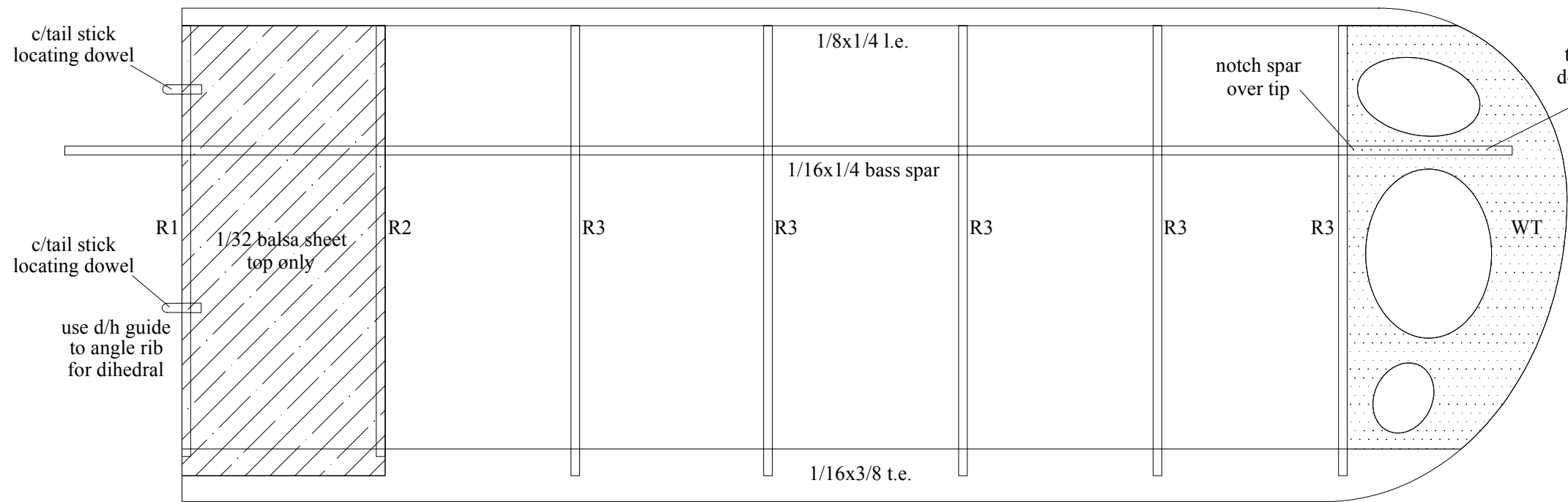
elevator exit 1/16 balsa

rudder exit 1/16 balsa

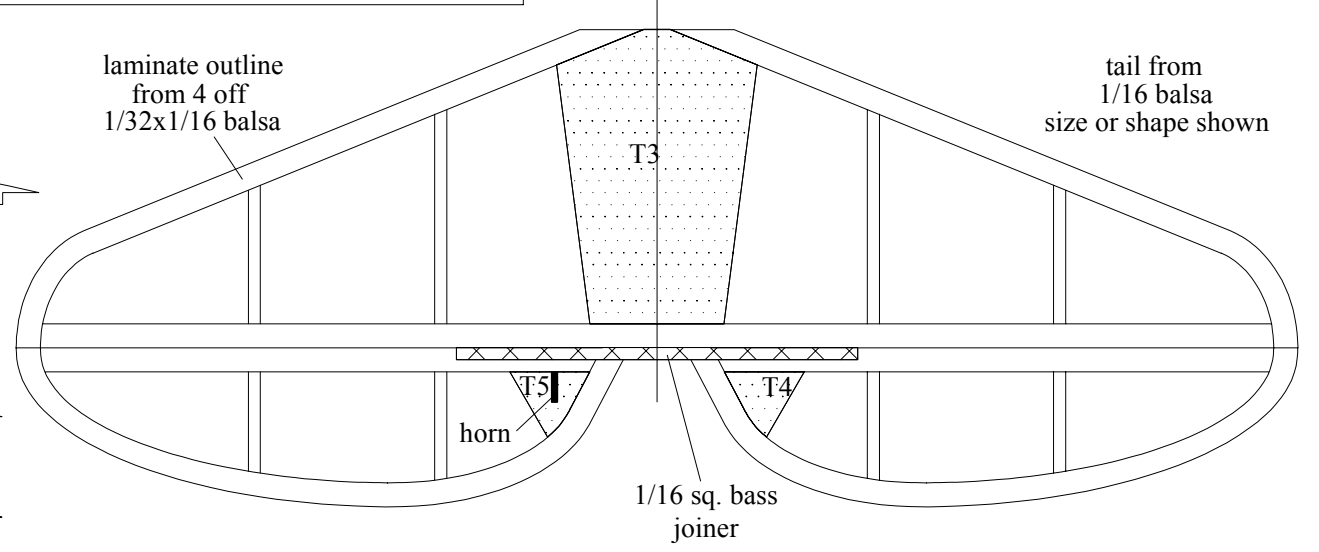
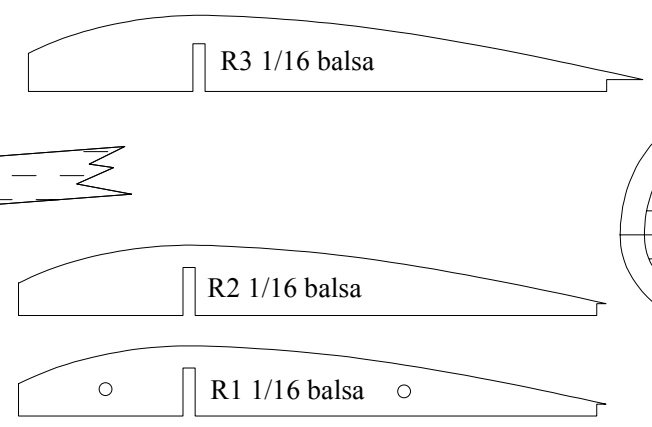
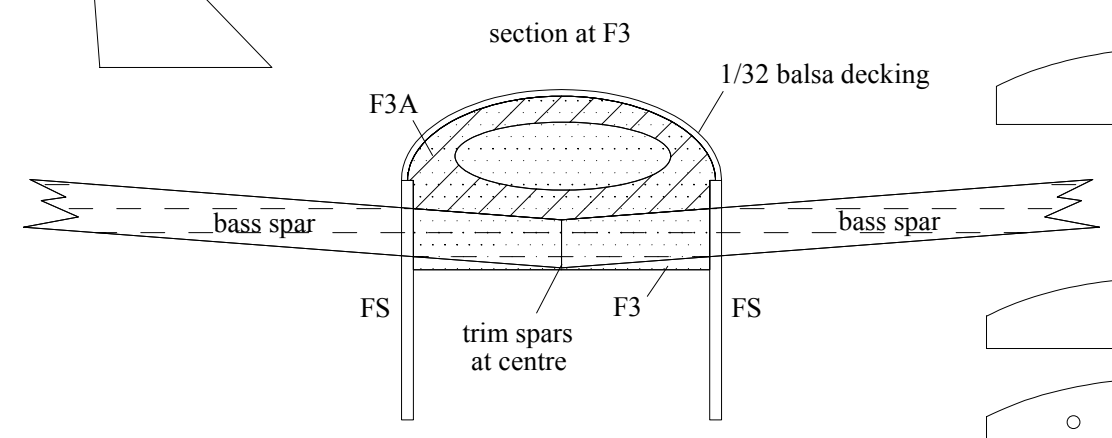
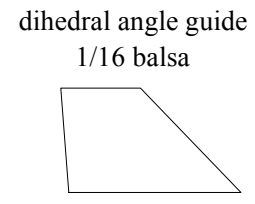
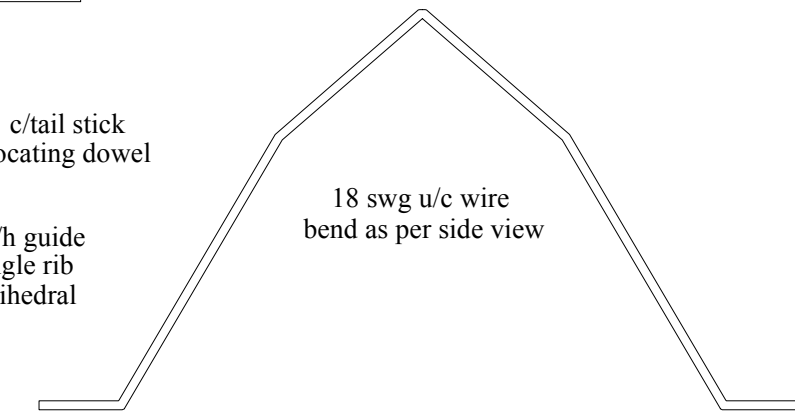
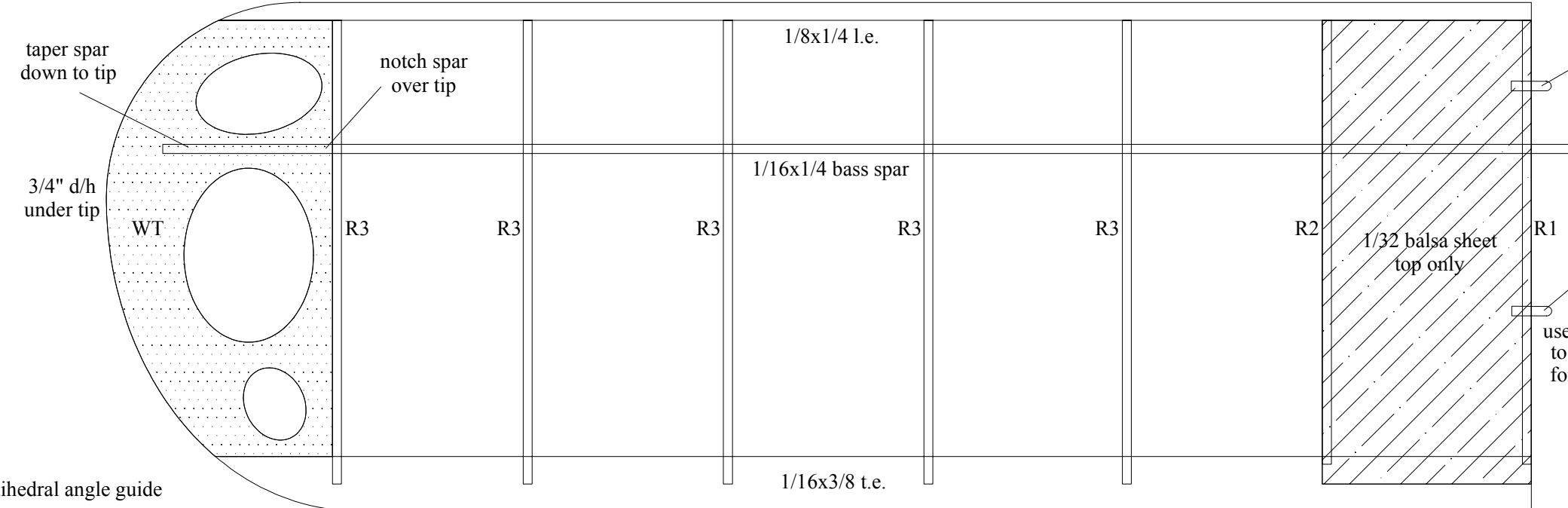
T3 1/16 balsa

WT 1/16 balsa

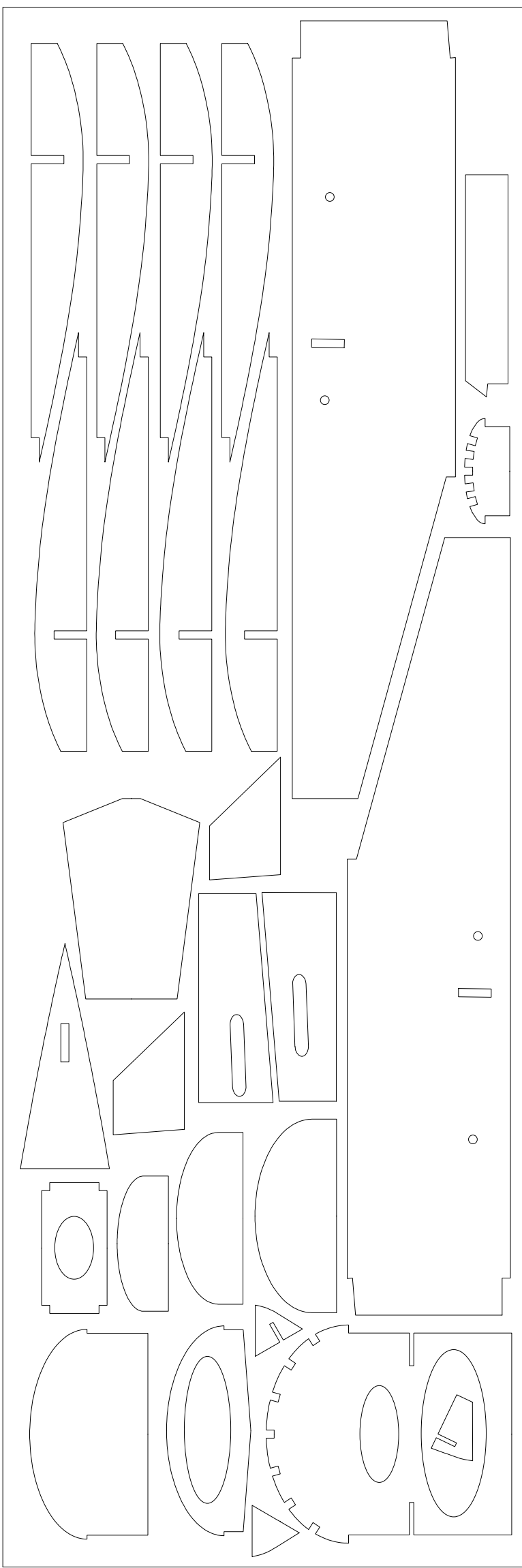
laminated skid  
from 2 off  
1/32 ply



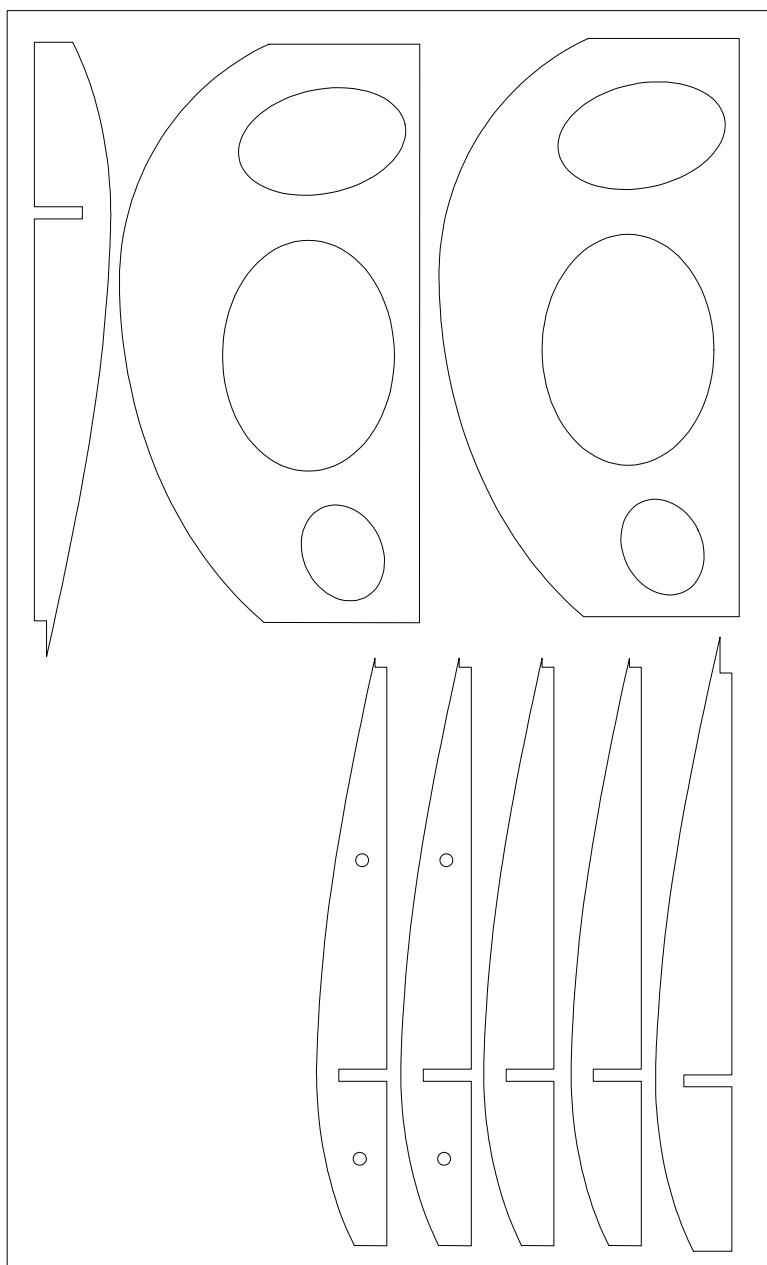
Peter Rake's  
**Interceptor**  
 Copyright P. Rake 2015



1/16 balsa



1/16 balsa



1/32 ply

