

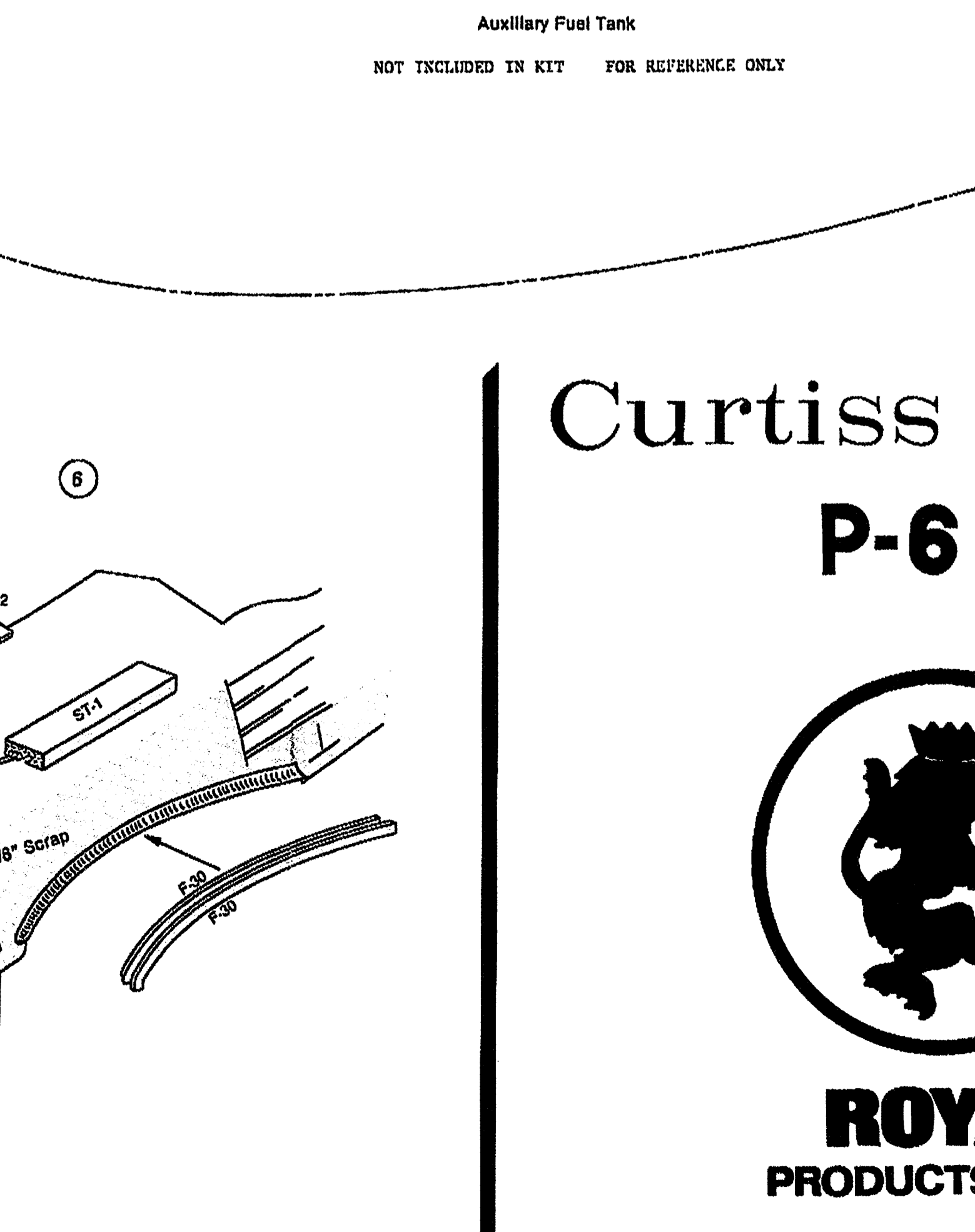
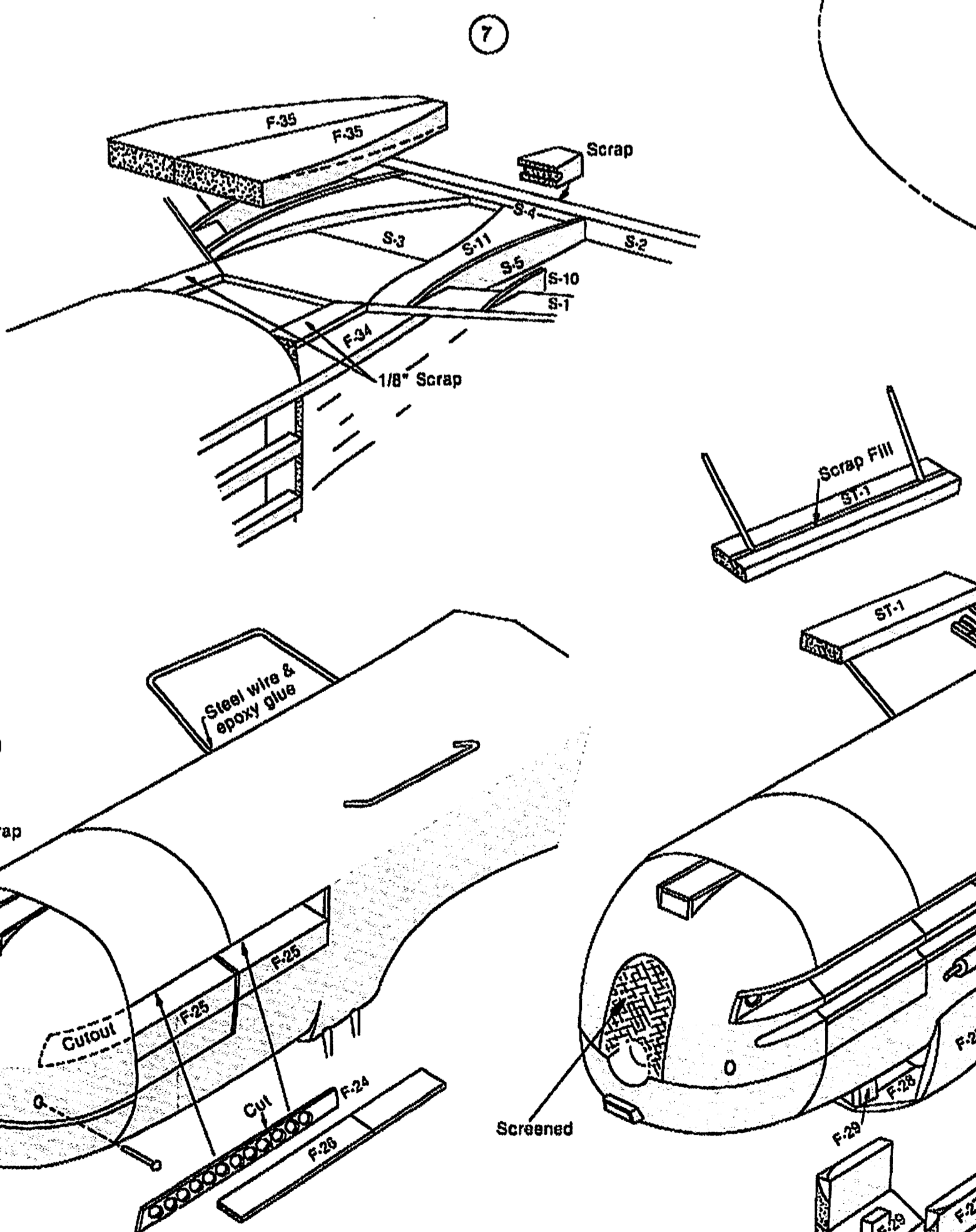
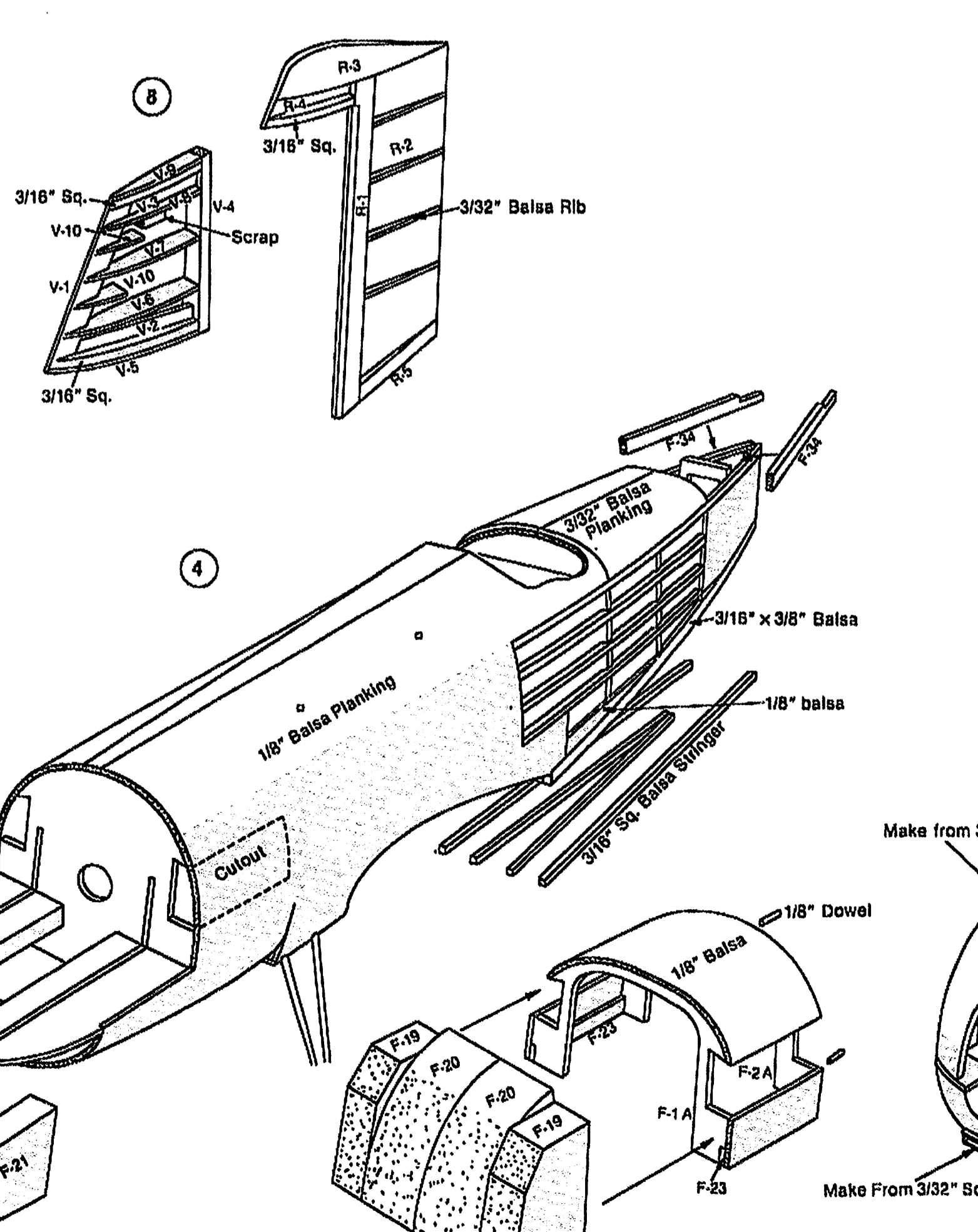
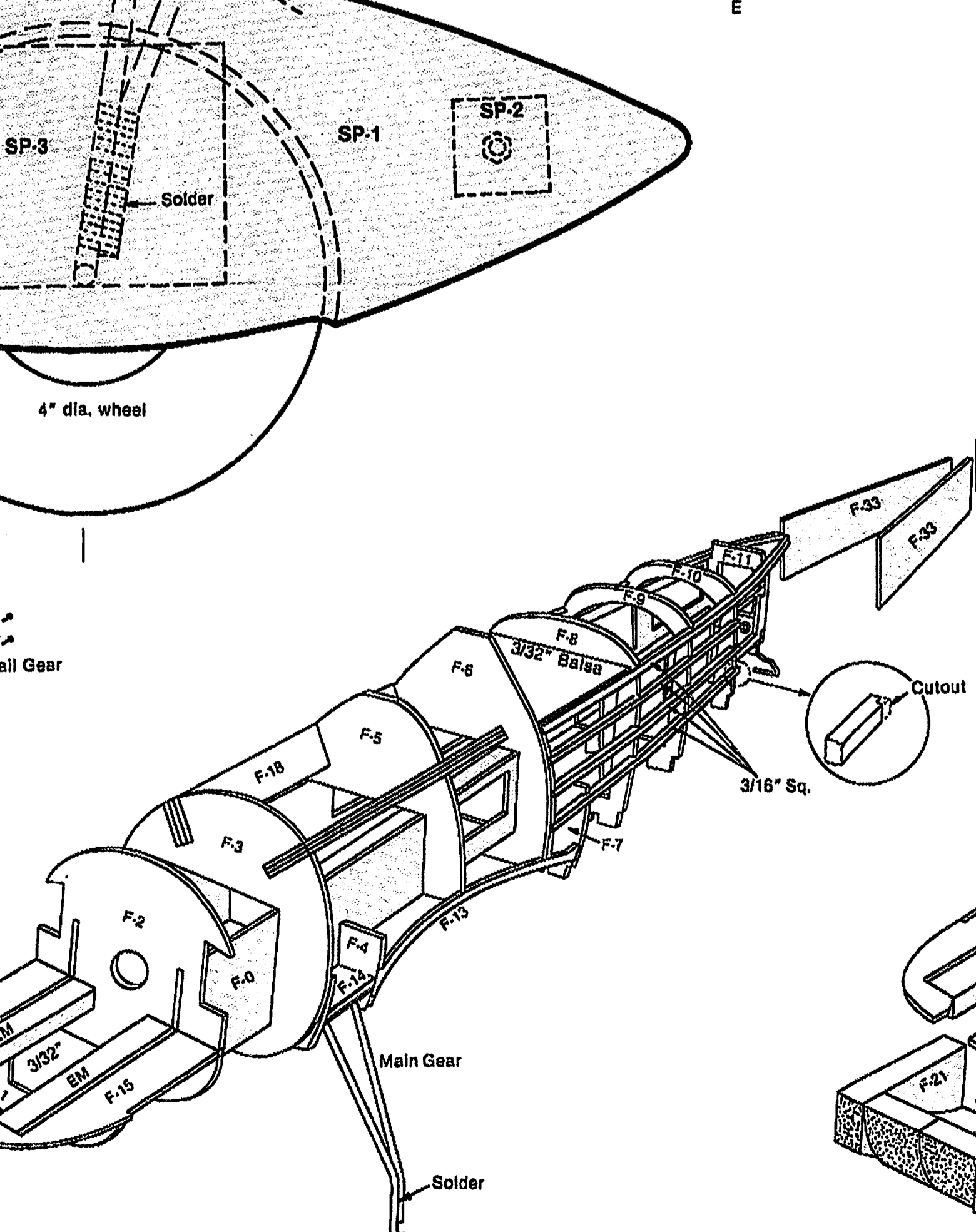
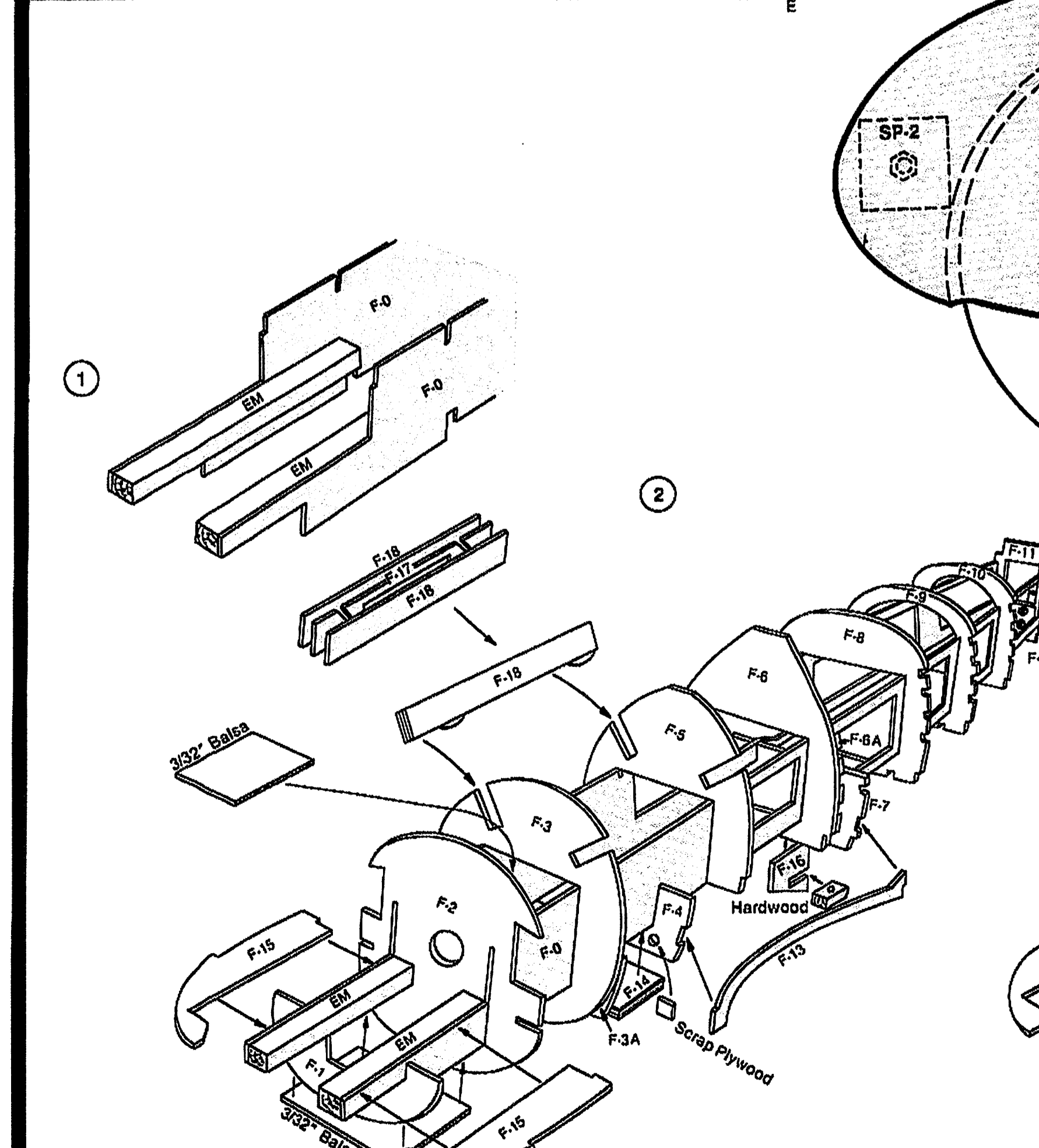
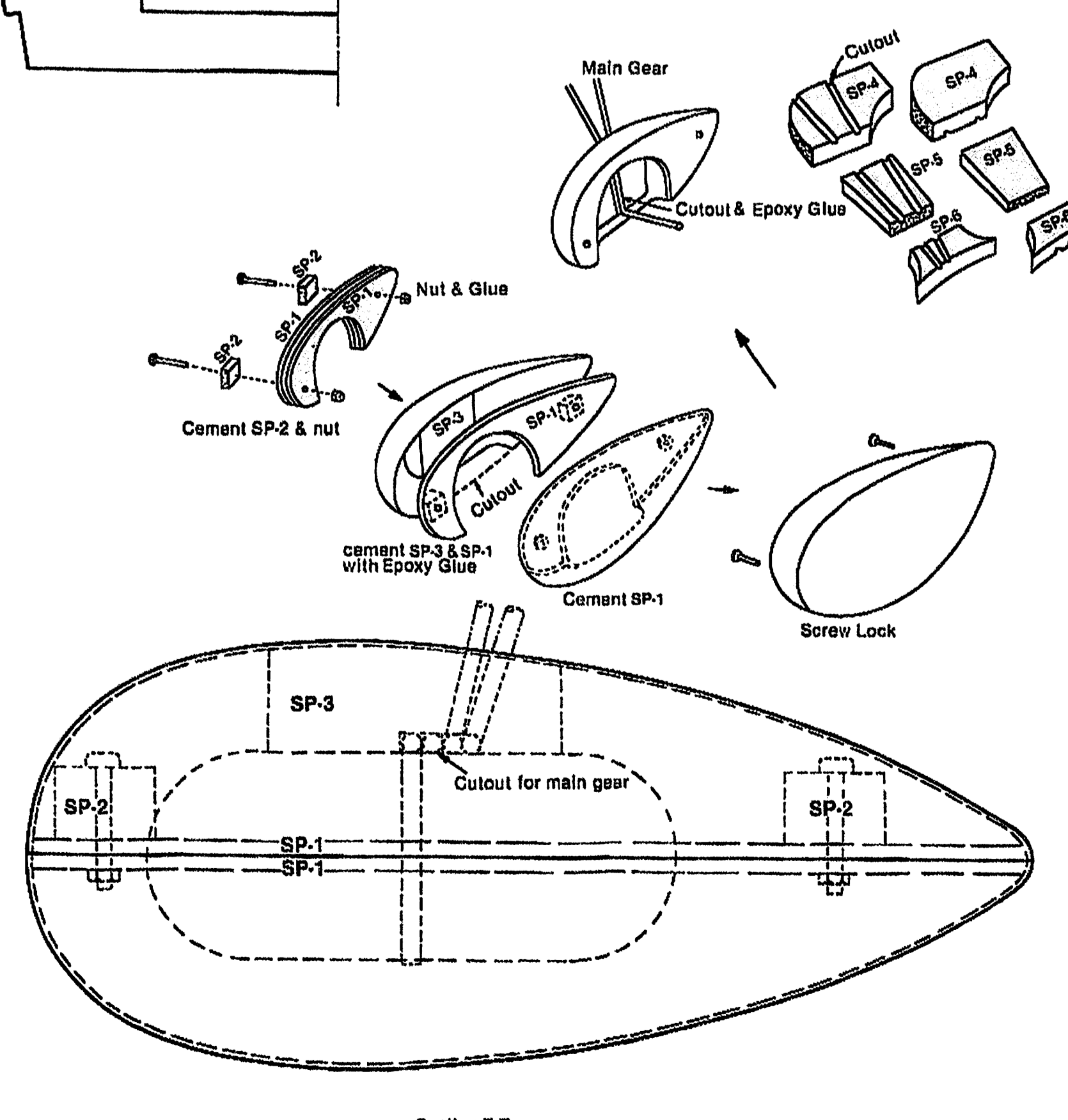
- 1—Aluminum
- 2—Tarn & Barn
- 3—Tachometer
- 4—Clock
- 5—Ammeter
- 6—Oil Temp
- 7—Oil Press
- 8—Pressure Temp
- 9—Fuel Press
- 10—Solenoid
- 11—Ignition Switch
- 12—Masterail
- 13—Toggle Switches

P-6E SPECIFICATIONS

| | |
|-----------------|-----------------------------|
| WING SPAN | 63 in. |
| FUSELAGE LENGTH | 43.5 in. |
| WING AREA UPPER | 607 sq. in. |
| LOWER | 403 sq. in. |
| ENGINE | 40-90 2 cycle - 90 l. cycle |
| SCALE RATIO | 1" = 1" |

NOTE TO THE MODELER:
 All formers and ribs are shown actual size to make "reference" building easily accomplished from these plans, and to facilitate any repairs that may be necessary.

FUSELAGE CONSTRUCTION



Curtiss Hawk
P-6E

ROYAL
PRODUCTS CORP.

Sheet 1 of 2
 © HOBBLEBERRY Royal Products Corp.

