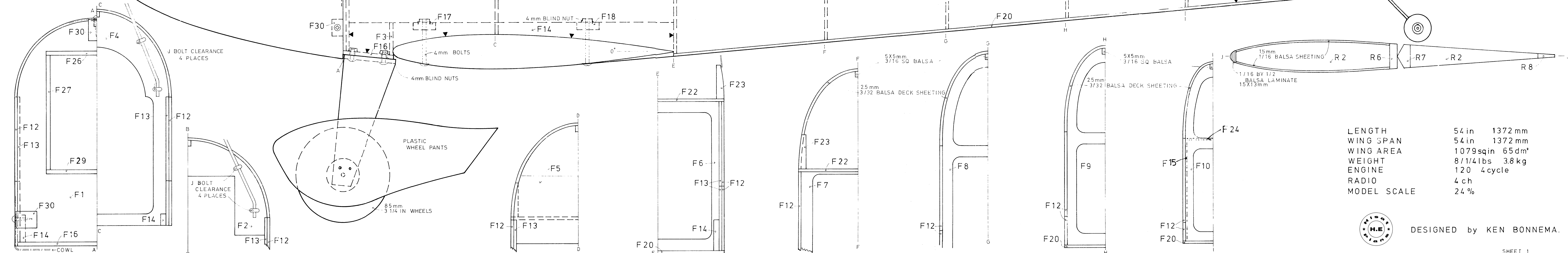
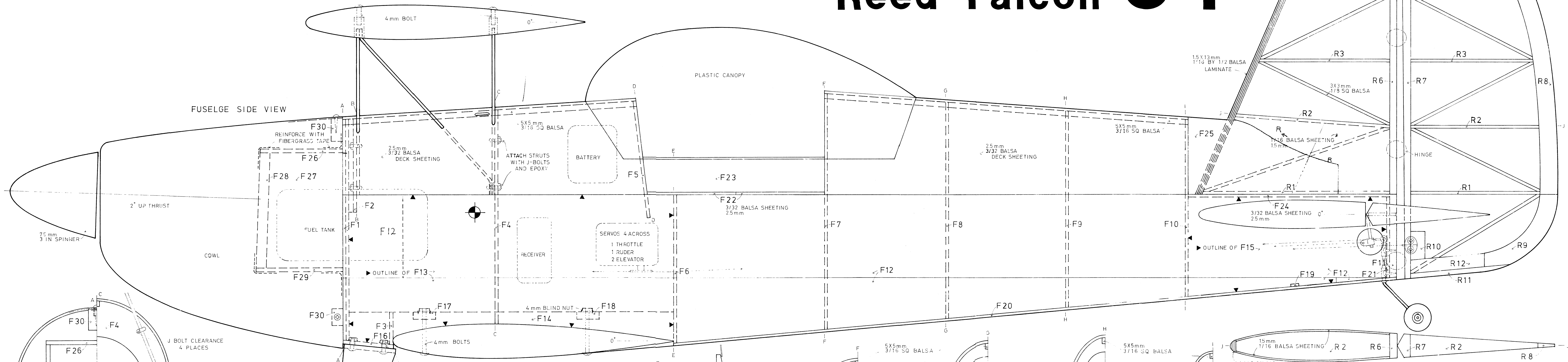
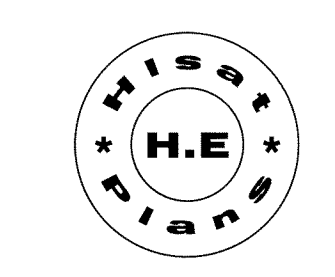


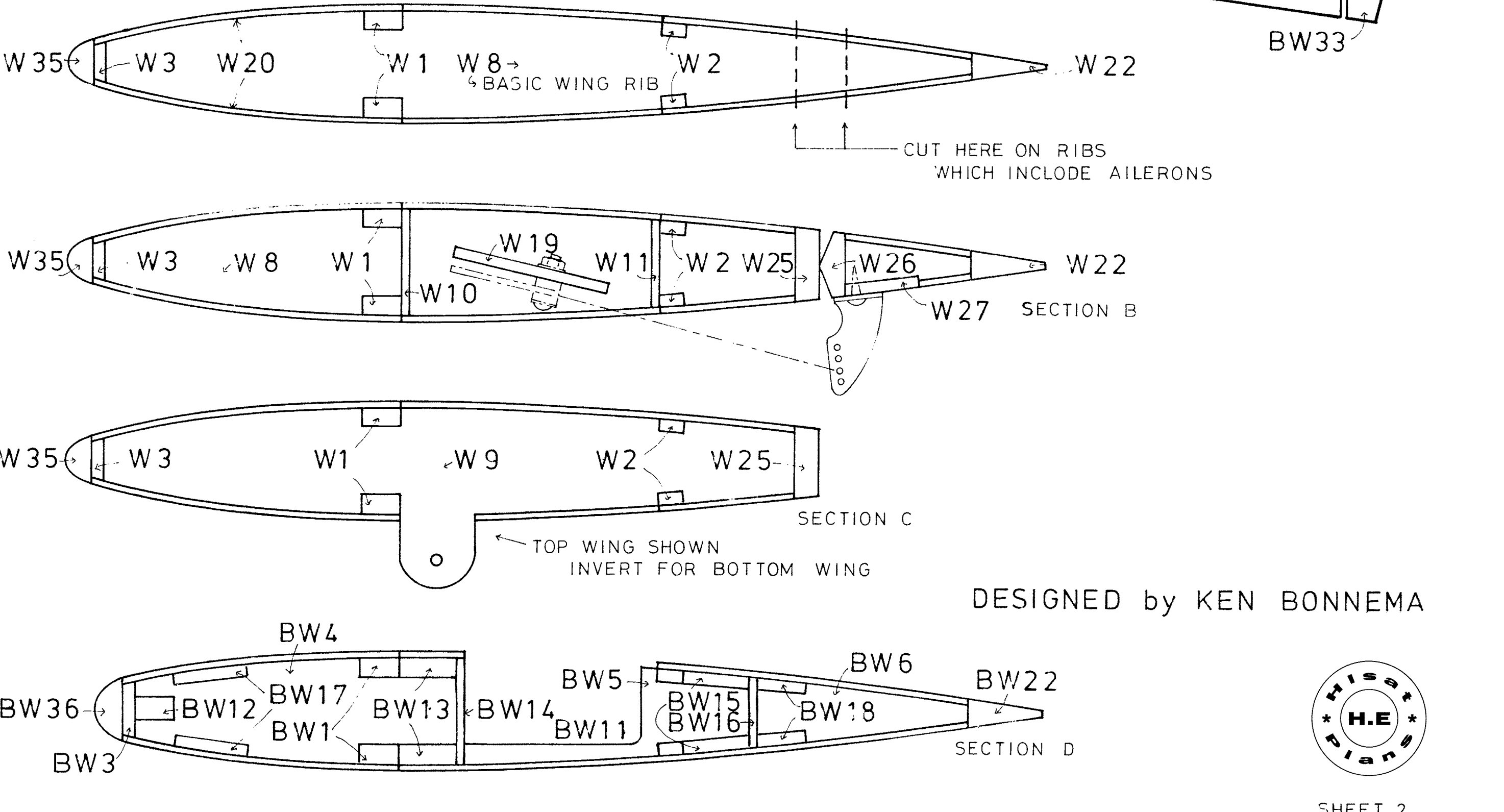
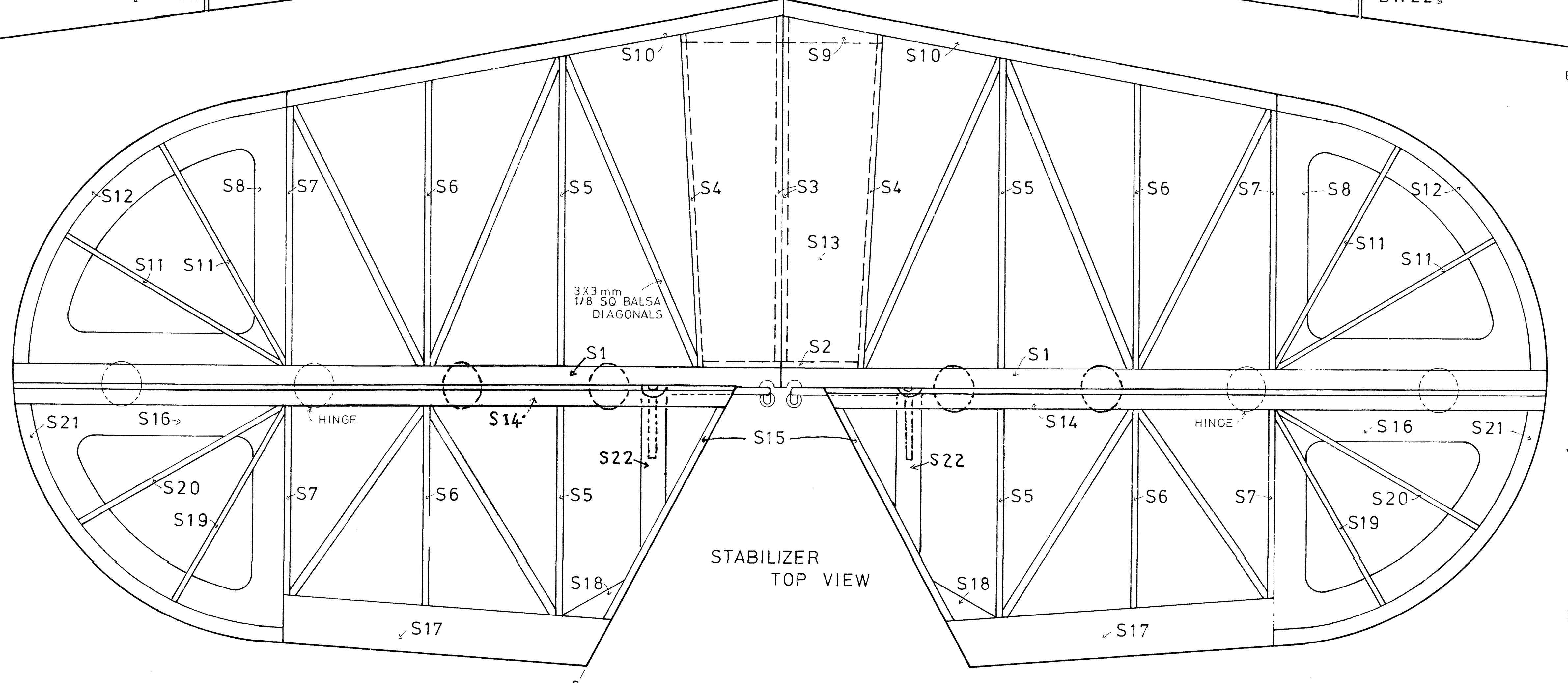
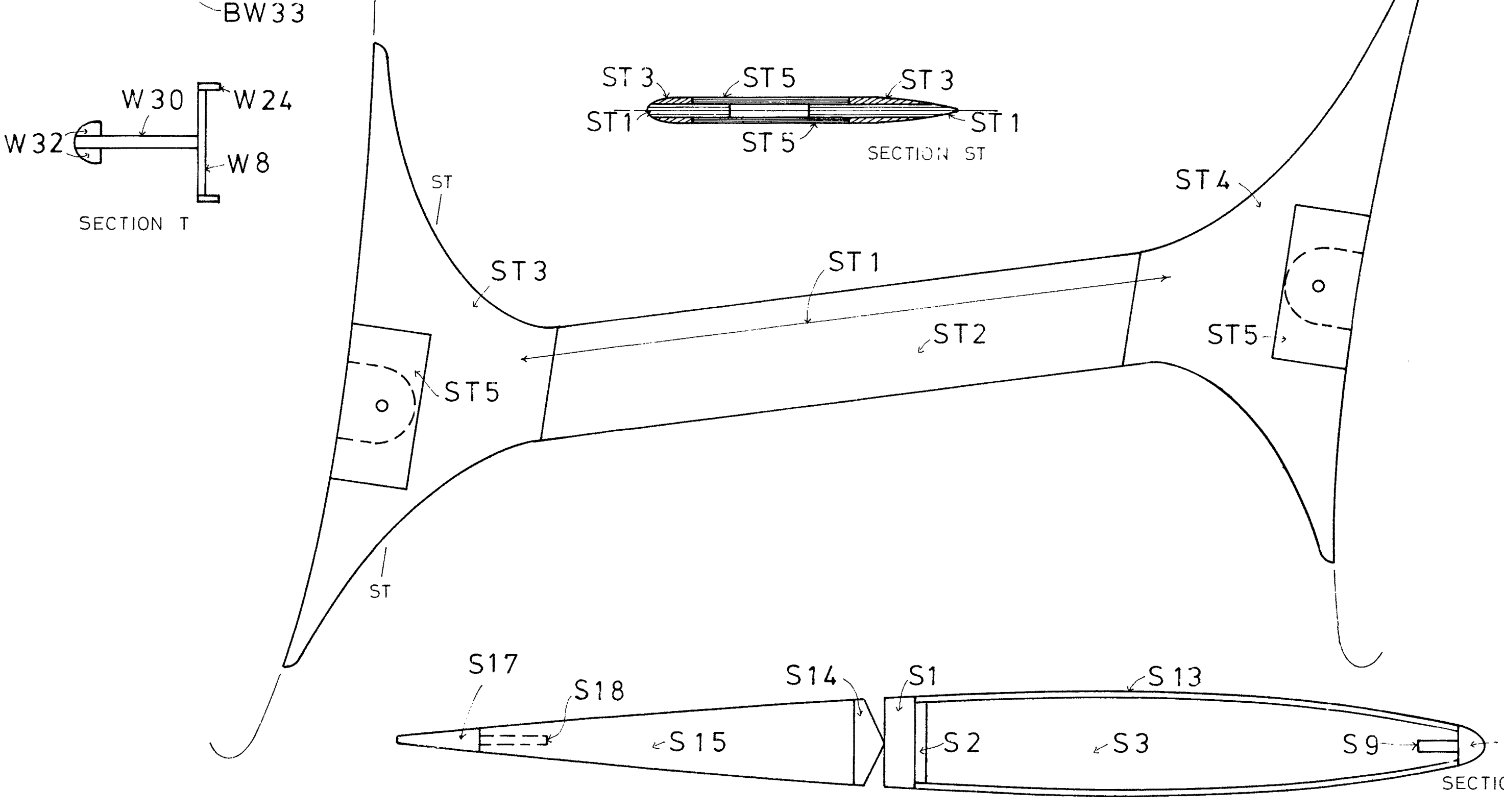
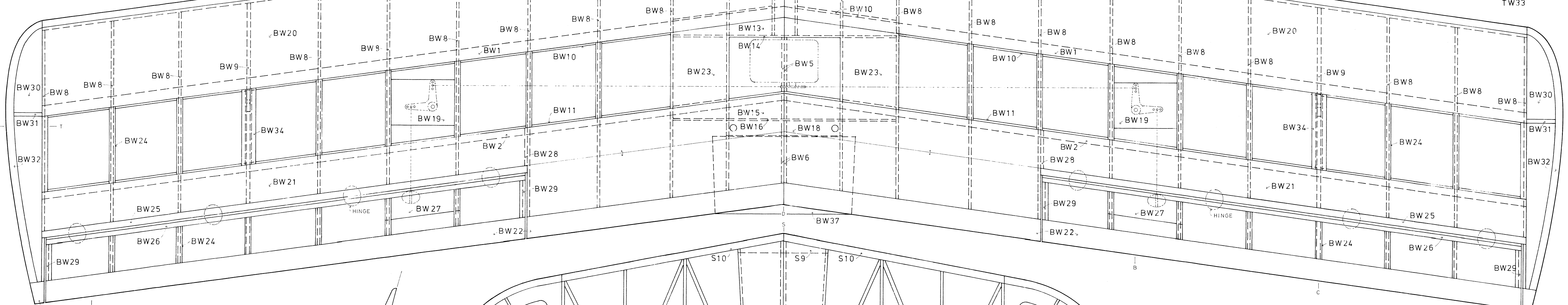
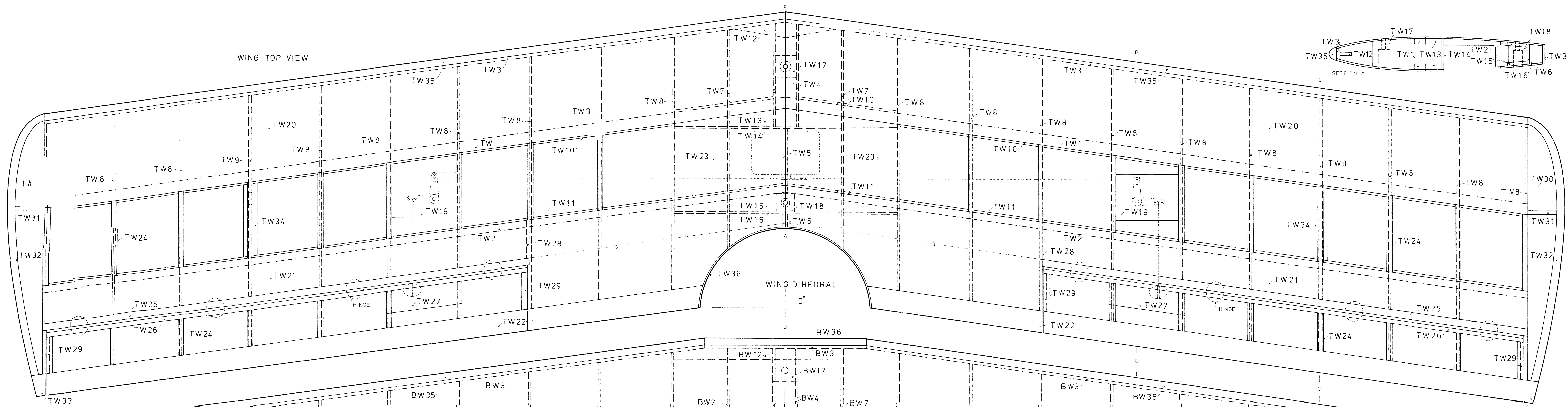
# Reed Falcon 54



|             |           |         |
|-------------|-----------|---------|
| LENGTH      | 54 in     | 1372 mm |
| WING SPAN   | 54 in     | 1372 mm |
| WING AREA   | 1079sqin  | 65dm²   |
| WEIGHT      | 8 1/4 lbs | 3.8 kg  |
| ENGINE      | 120       | 4cycle  |
| RADIO       | 4 ch      |         |
| MODEL SCALE | 24 %      |         |



DESIGNED by KEN BONNEMA.



DESIGNED by KEN BONNEMA

