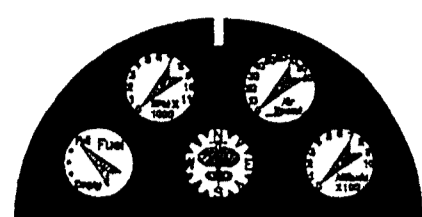
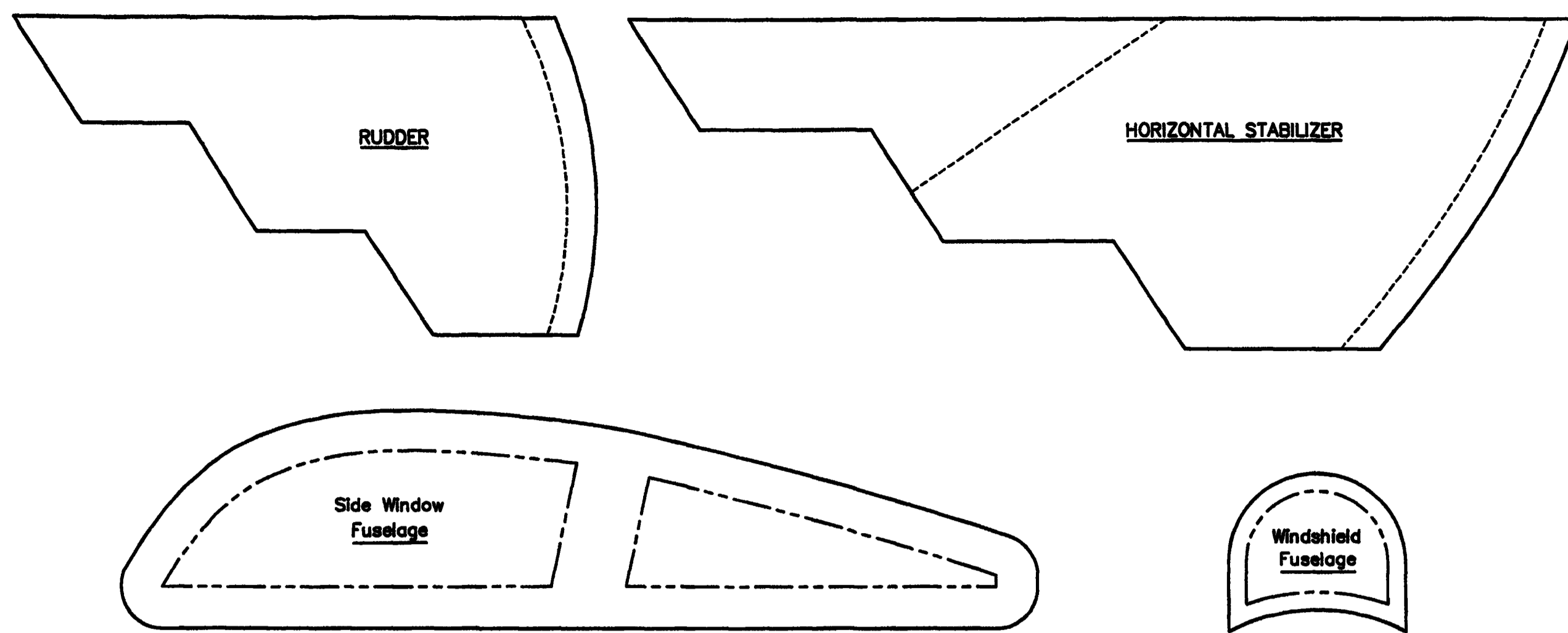




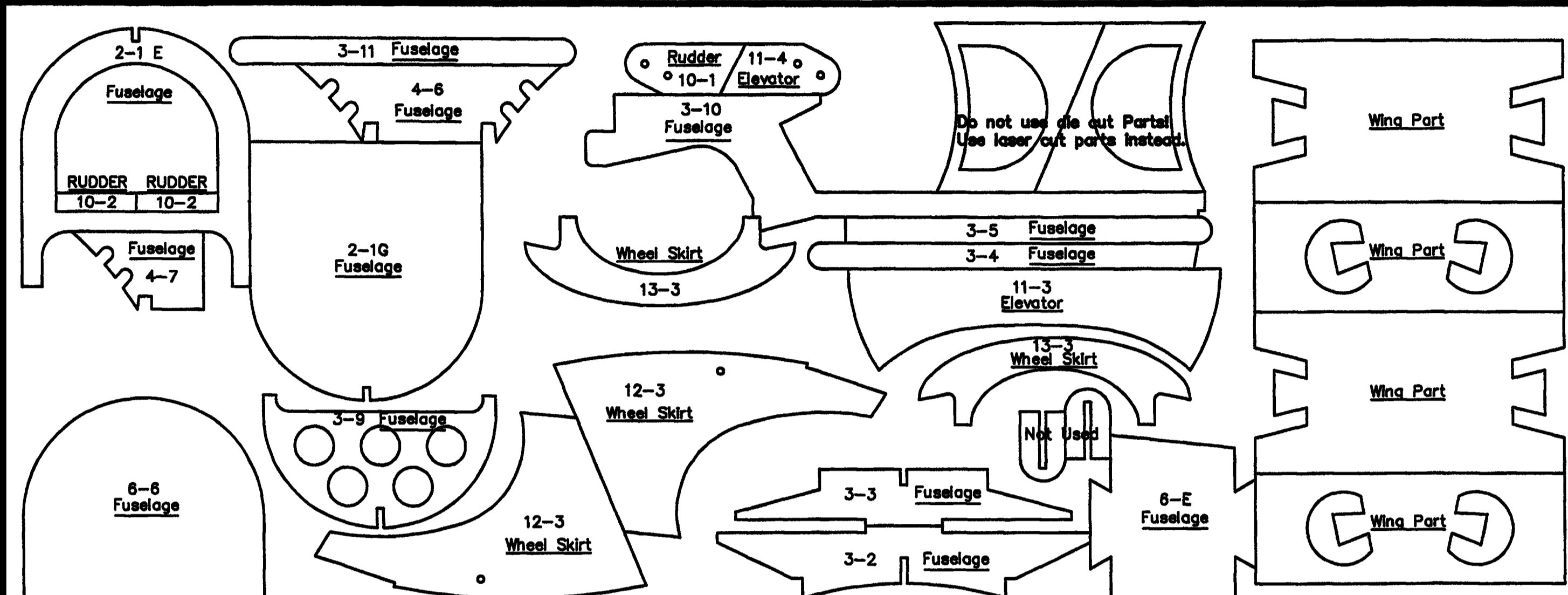
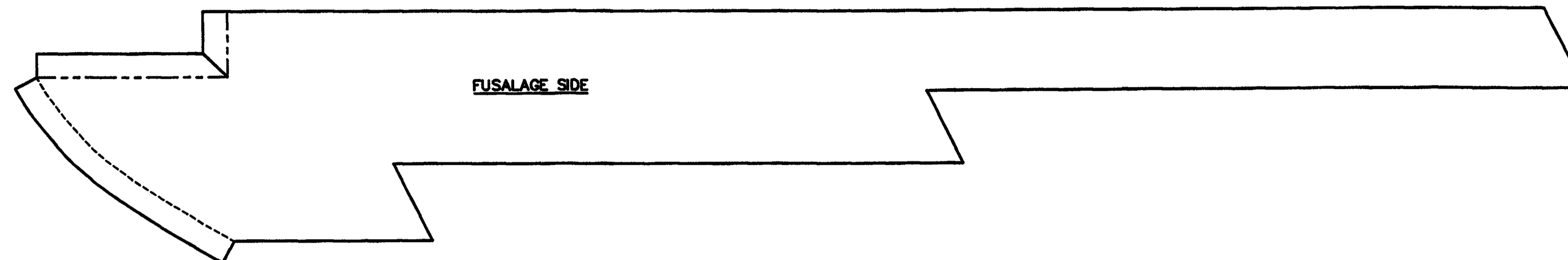
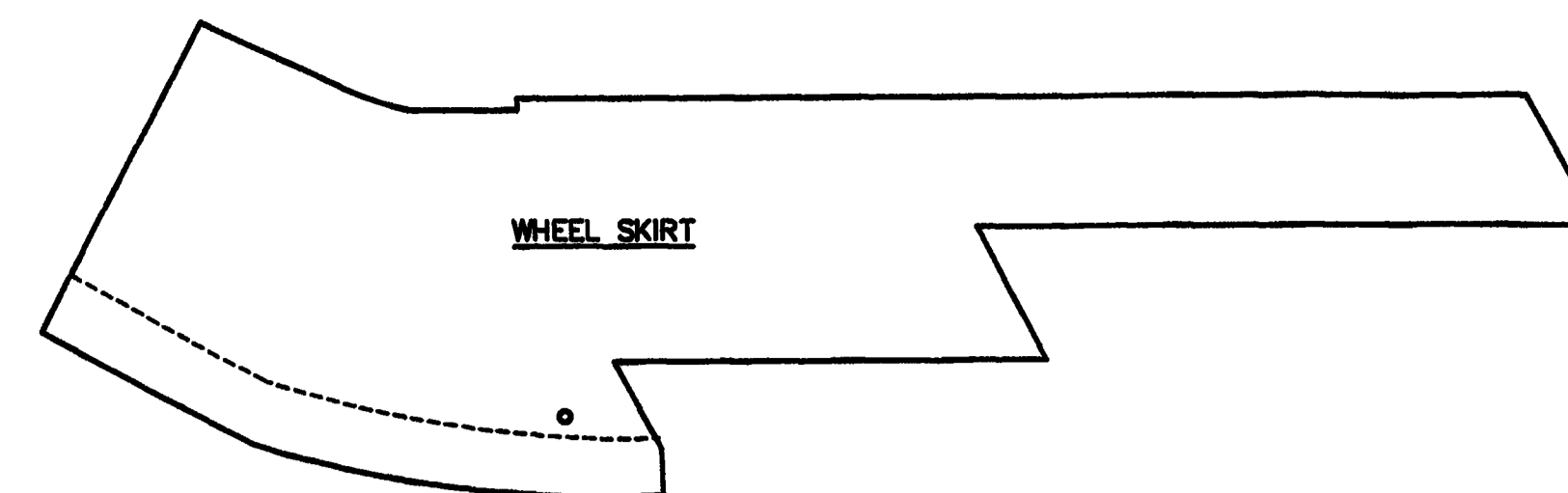
Fuselage



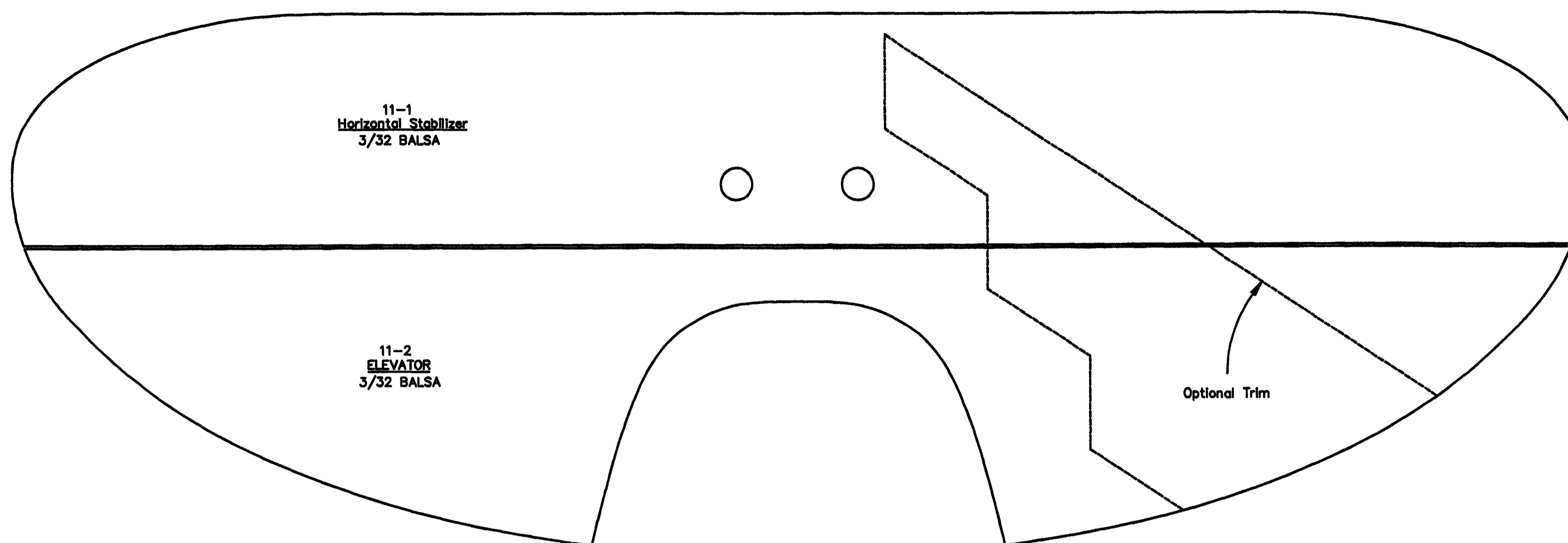
INSTRUMENTS  
Cut out and glue to back  
of part number 3-9



OPTIONAL TRIM PATTERNS  
MAKE LEFT AND RIGHT (MIRROR IMAGES)  
TRIM AT DASHED LINE AFTER APPLICATION

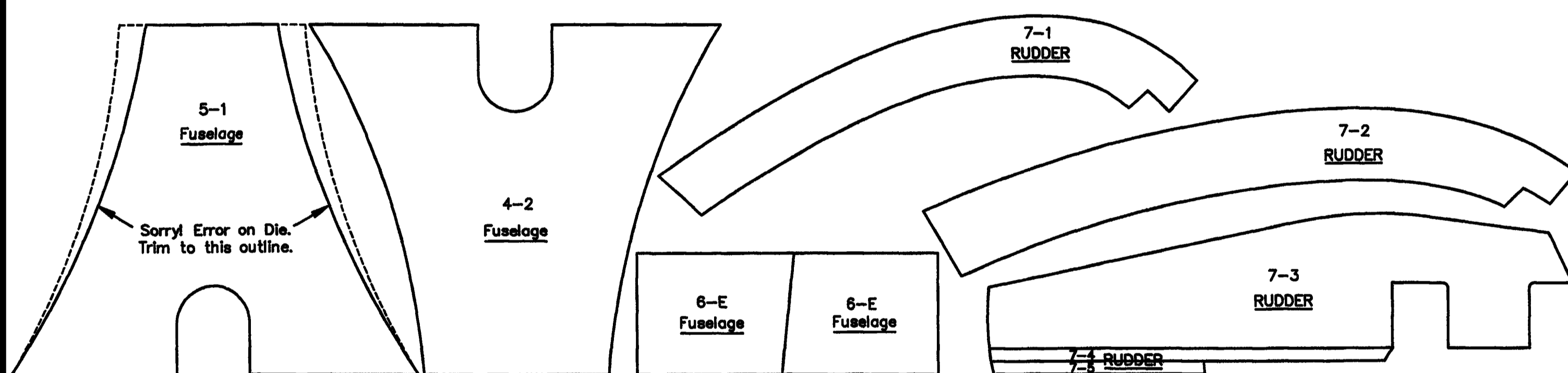


Do not use die cut Parts  
Use laser cut parts instead

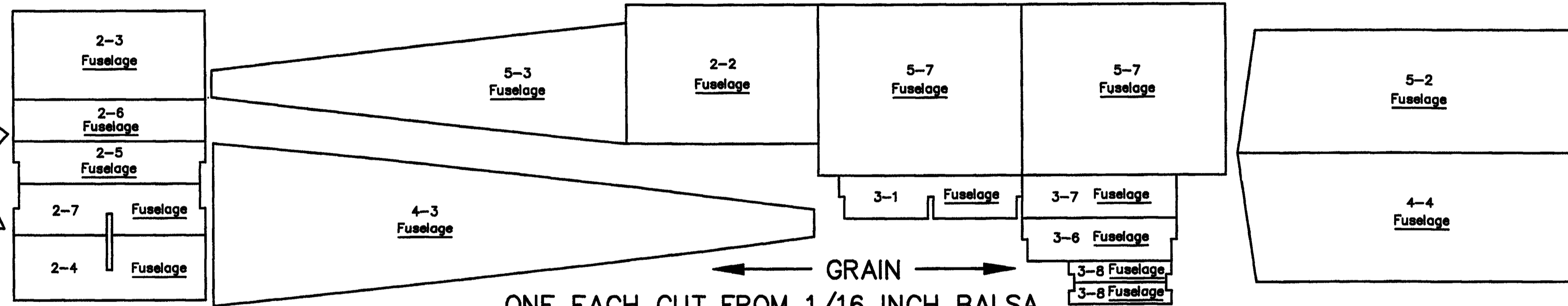


TWO EACH CUT FROM 1/32 INCH BIRCH PLYWOOD

GRAIN

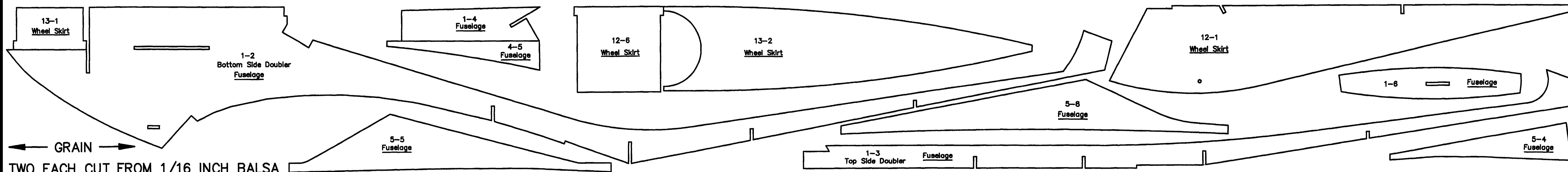


Sorry! Error on Die.  
Trim to this outline.



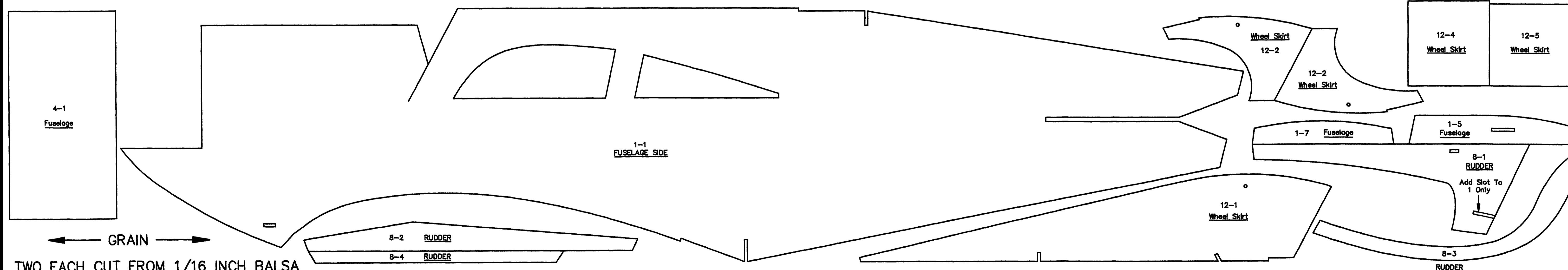
ONE EACH CUT FROM 1/16 INCH Balsa

GRAIN



TWO EACH CUT FROM 1/16 INCH Balsa

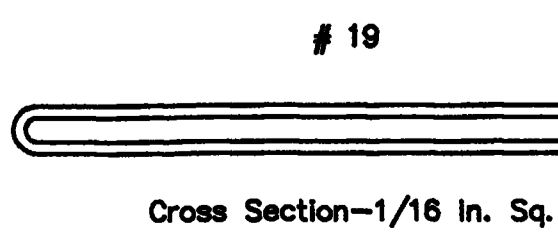
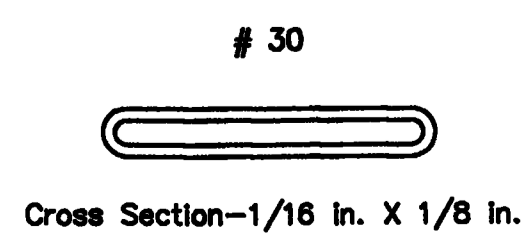
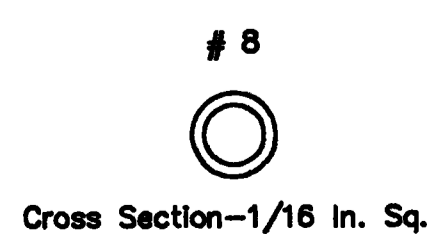
GRAIN



TWO EACH CUT FROM 1/16 INCH Balsa

GRAIN

Rubber Band Key  
Drawn Full Size



Stagger Bee™

.061 TO .30 FOUR STROKE OR ELECTRIC

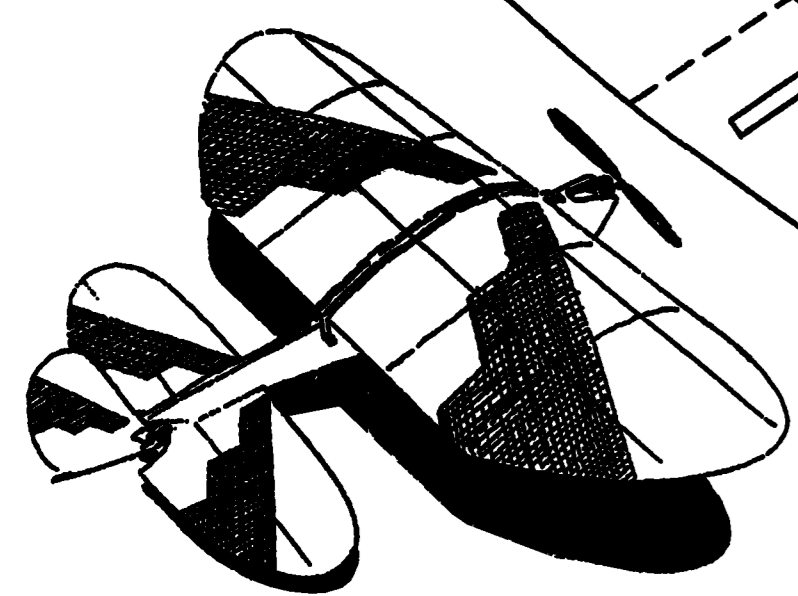
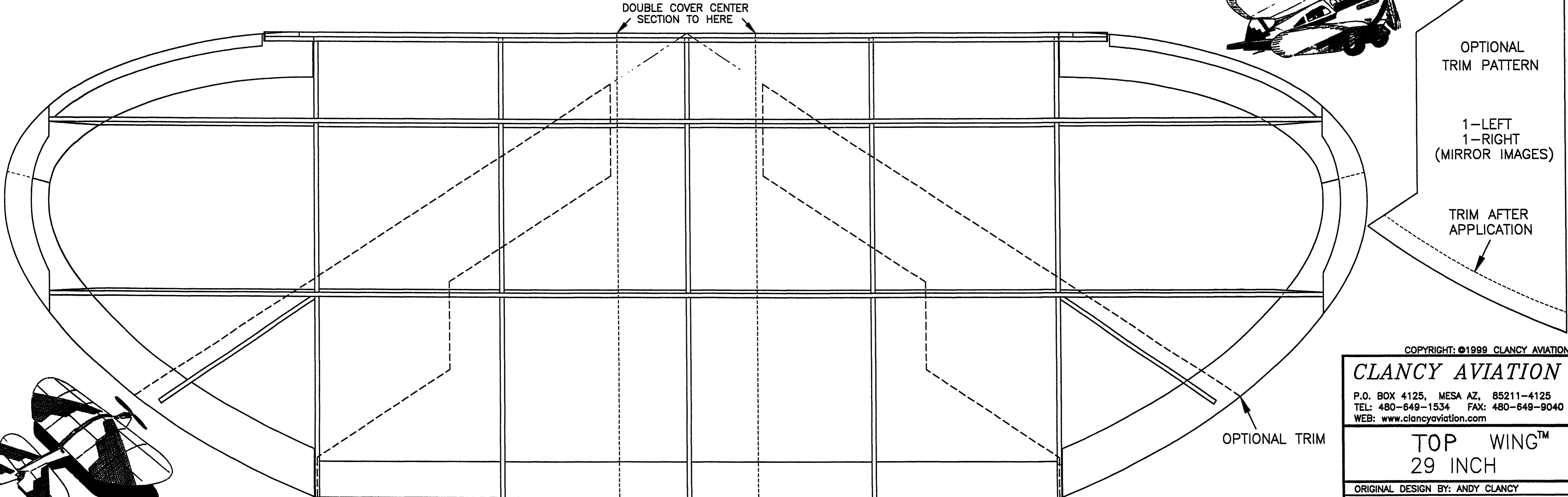
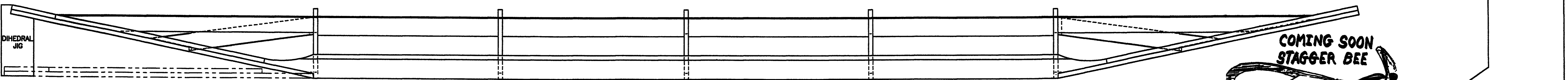
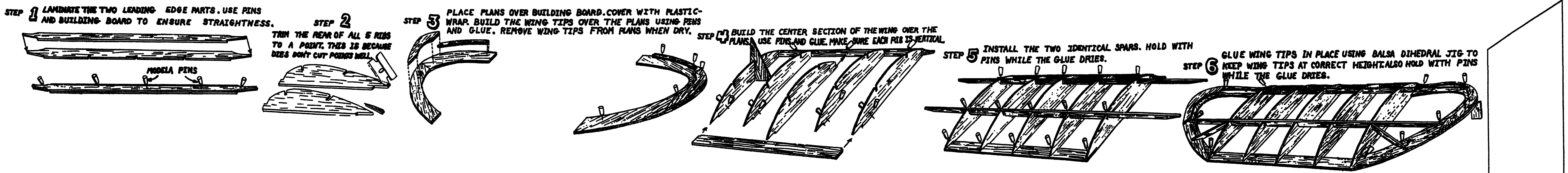
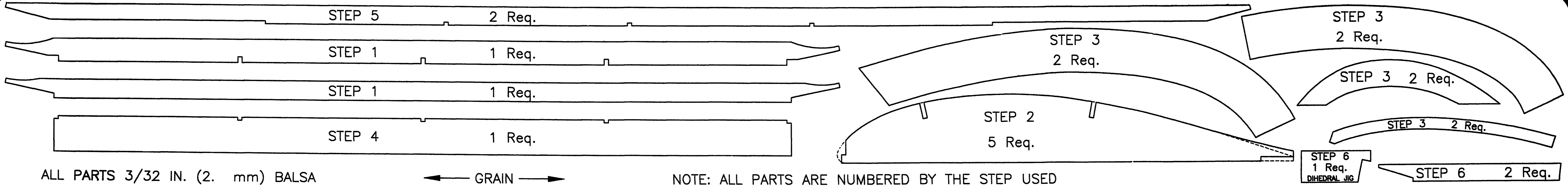
CLANCY AVIATION

P.O. BOX 4125, MESA AZ, 85211-4125  
TEL: 480-649-1534 FAX: 480-649-9040  
WEB: www.clancyaviation.com

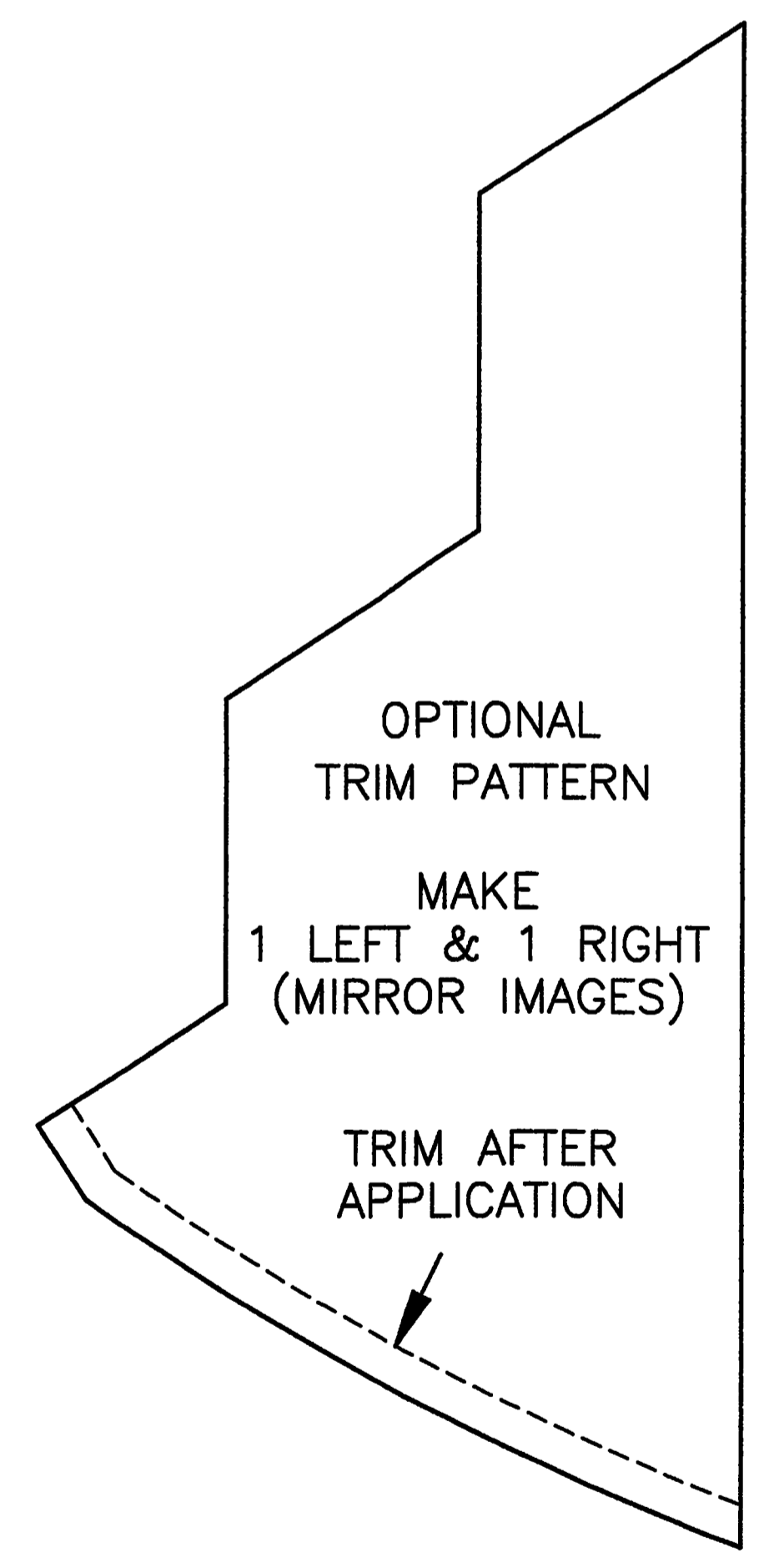
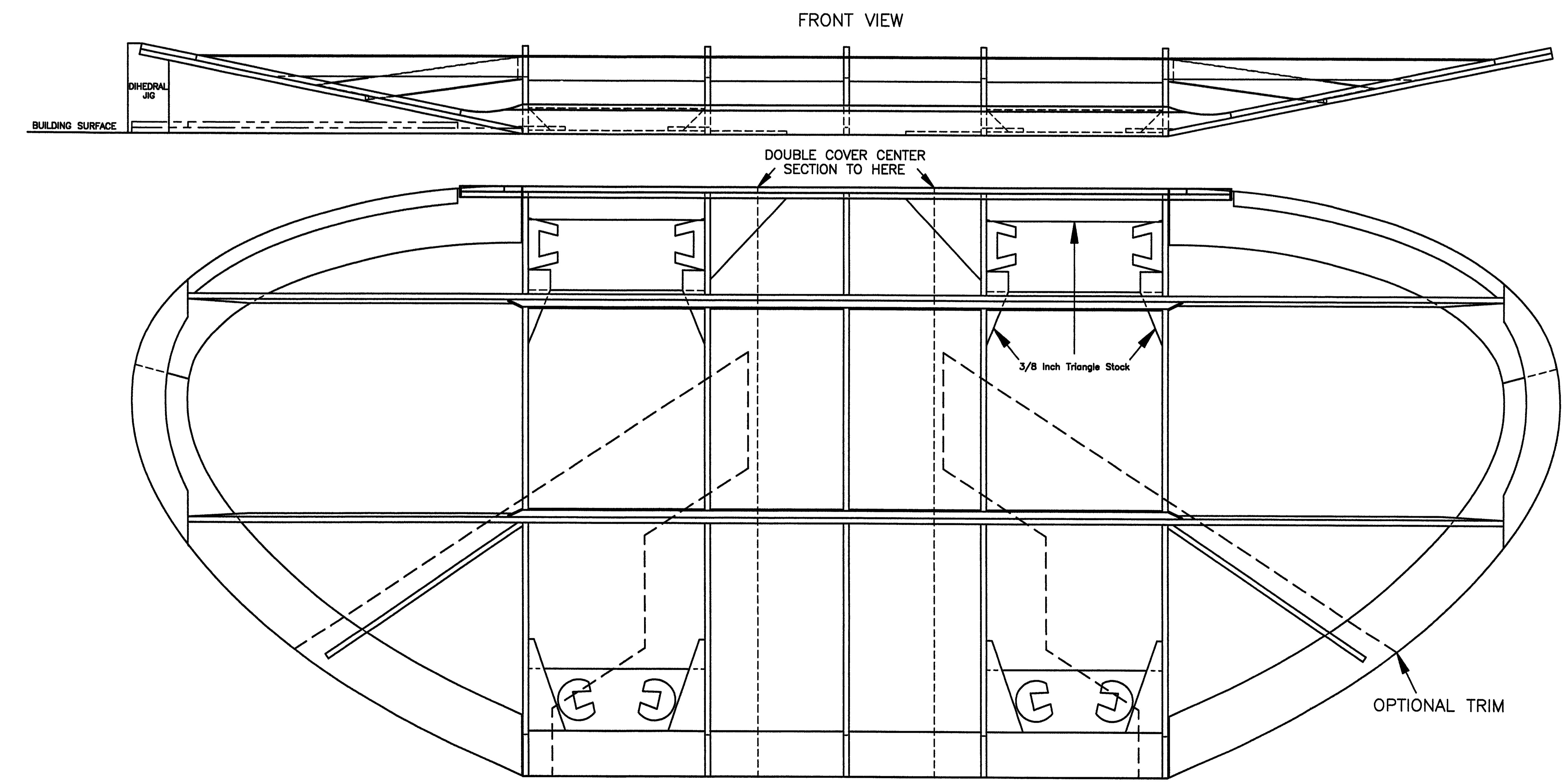
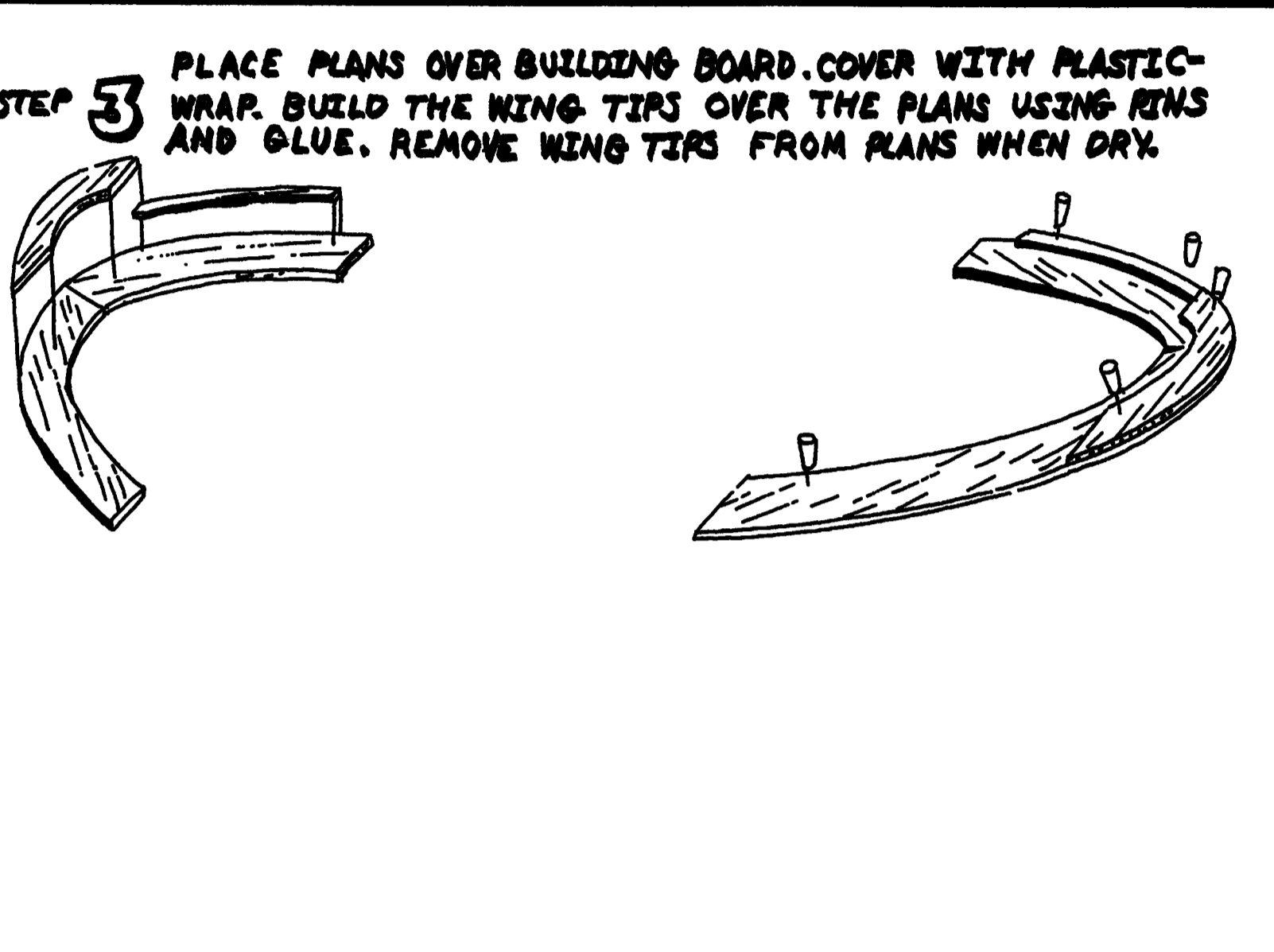
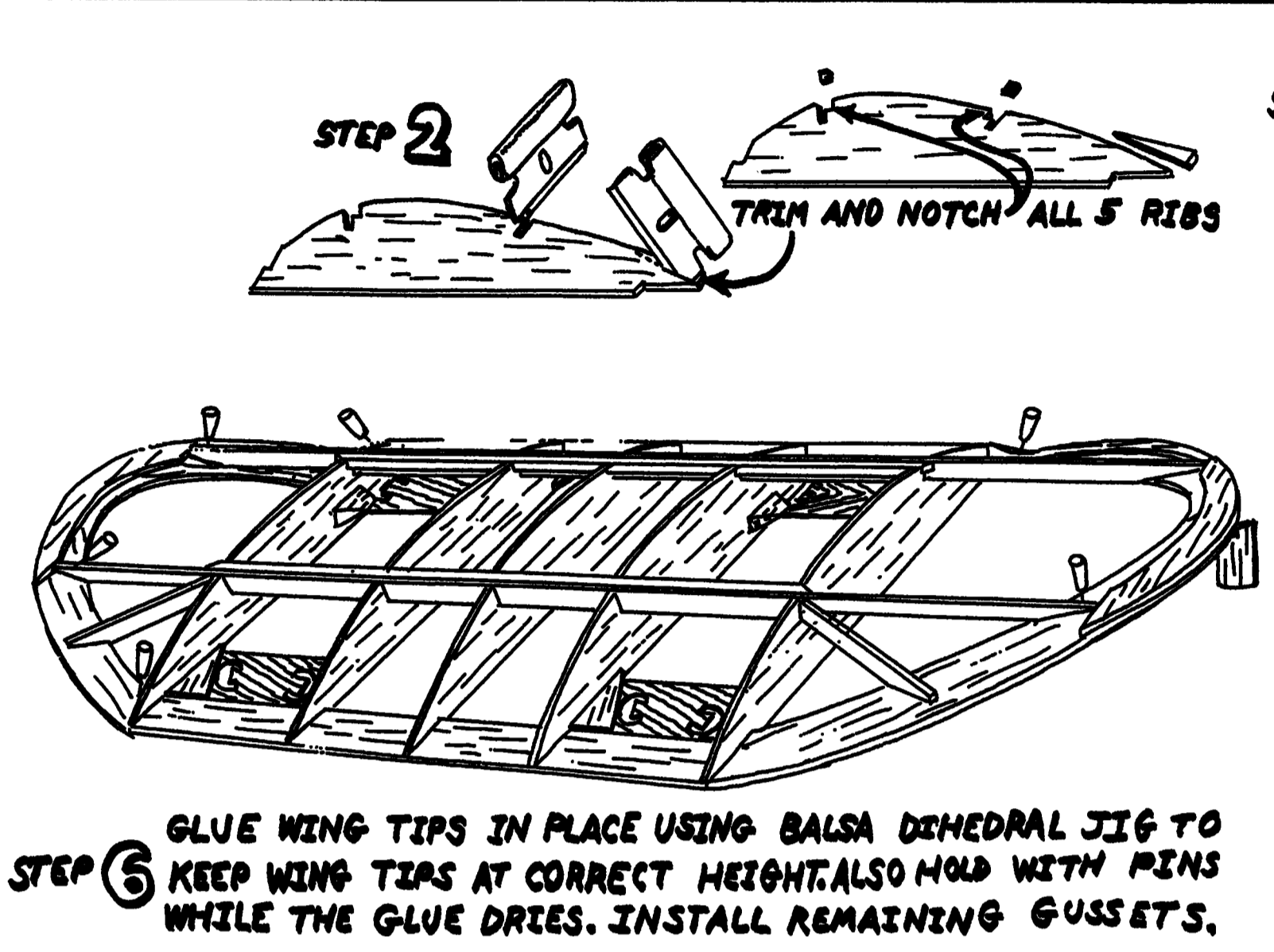
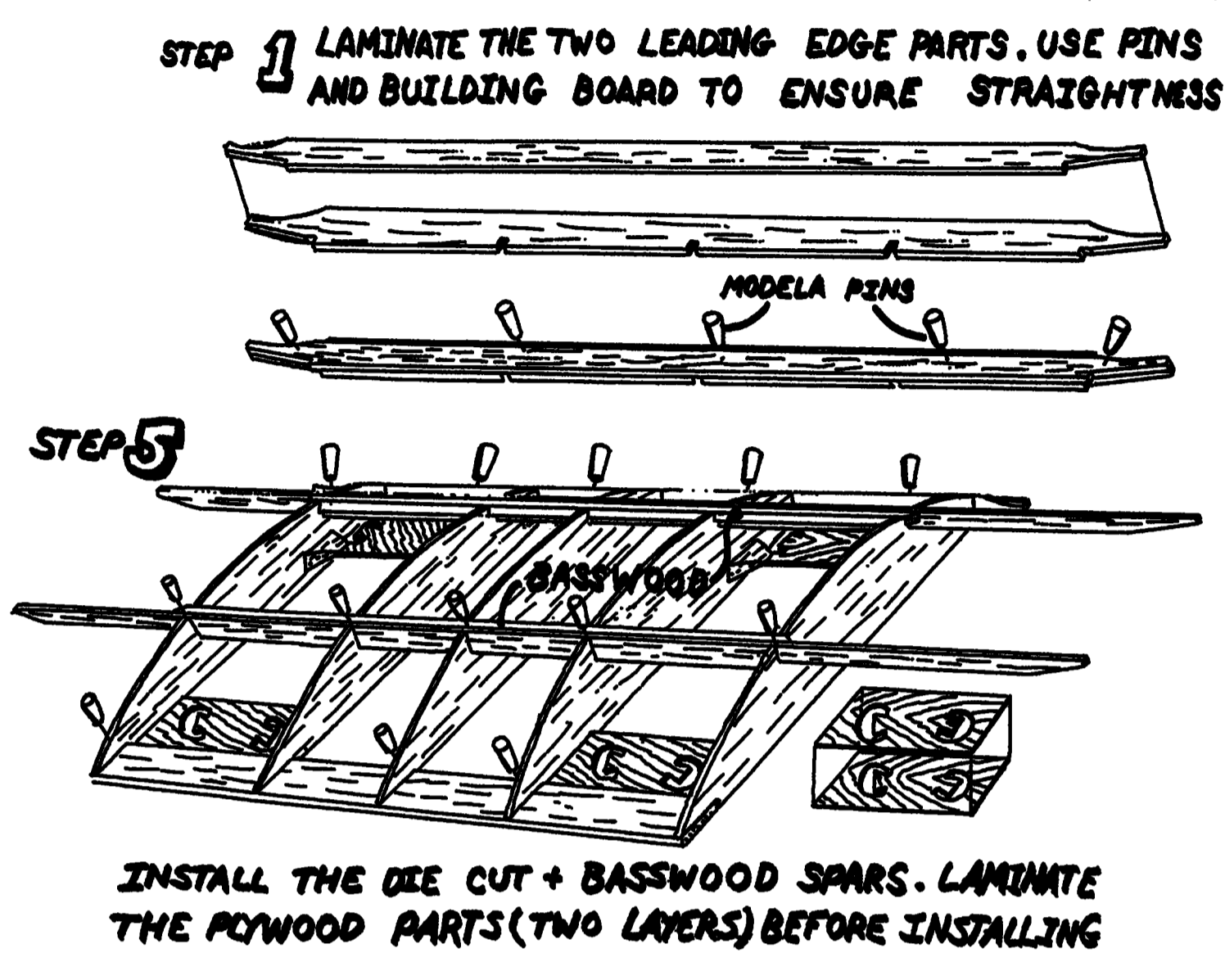
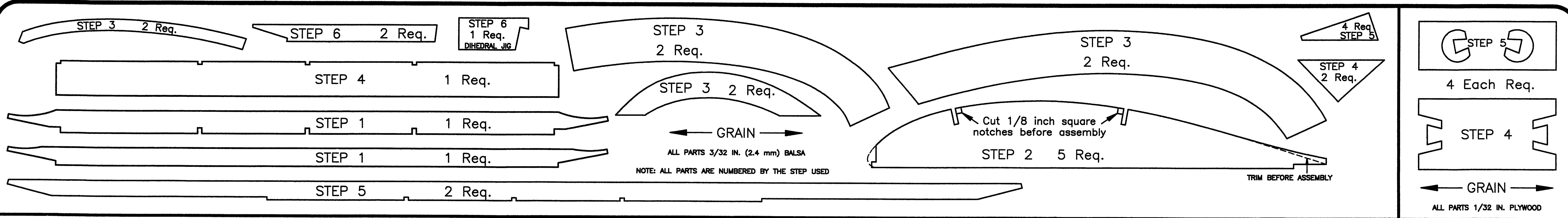
COPYRIGHT © 2000 BY CLANCY AVIATION

ORIGINAL DESIGN BY: ANDY CLANCY  
CAD DRAWING BY: RANDY HEYDON

SCALE: 1:1 REV: A 6/2000 SHT: 2 OF 2



COPYRIGHT: ©1999 CLANCY AVIATION  
**CLANCY AVIATION**  
 P.O. BOX 4125, MESA AZ, 85211-4125  
 TEL: 480-649-1534 FAX: 480-649-9040  
 WEB: www.clancyaviation.com  
**TOP WING™**  
 29 INCH  
 ORIGINAL DESIGN BY: ANDY CLANCY  
 CAD DRAWING BY: RANDY HEYDON  
 SCALE: 1:1 | REV:N/C 7/99 | SHT: 3 OF 4



COPYRIGHT: ©1999 - ©2000 CLANCY AVIATION  
**CLANCY AVIATION**  
 P.O. BOX 4125, MESA, AZ, 85211-4125  
 TEL: 480-649-1534 FAX: 480-649-9040  
 WEB: www.clancyaviation.com  
**BOTTOM WING™**  
**24 INCH-LG**  
 ORIGINAL DESIGN BY: ANDY CLANCY  
 CAD DRAWING BY: RANDY HEYDON  
 SCALE: 1:1 REV: A 7/00 SH: 4 OF 4