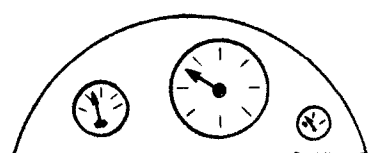


UPPER PART OF FUSELAGE COVERED WITH STIFF PAPER

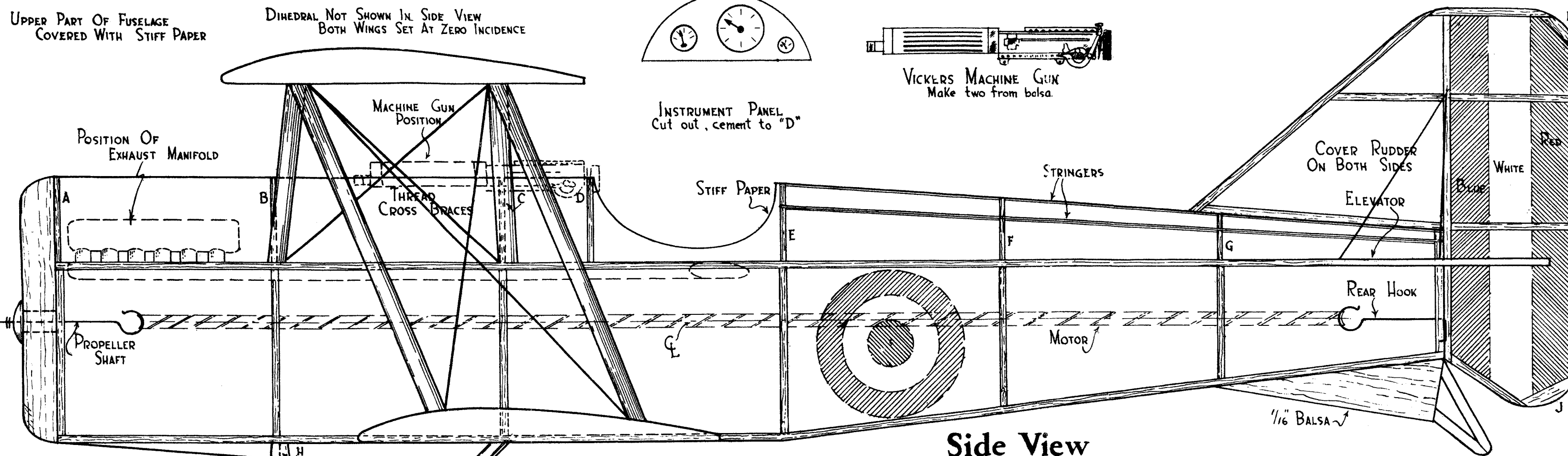
DIHEDRAL NOT SHOWN IN SIDE VIEW BOTH WINGS SET AT ZERO INCIDENCE



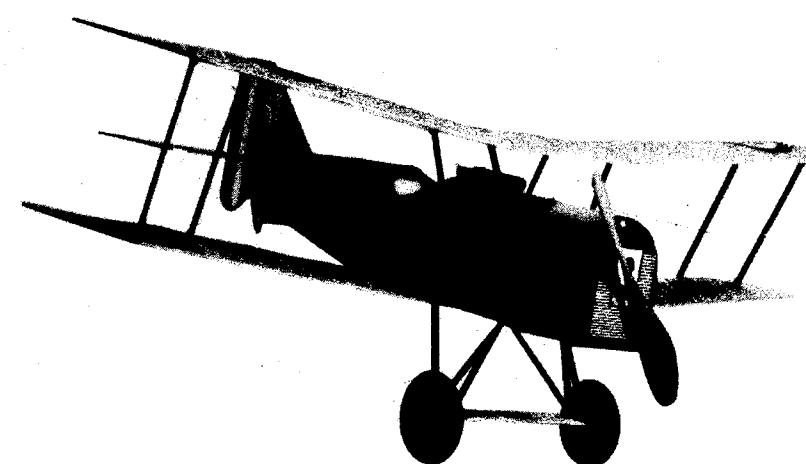
INSTRUMENT PANEL Cut out, cement to "D"



VICKERS MACHINE GUN Make two from balsa



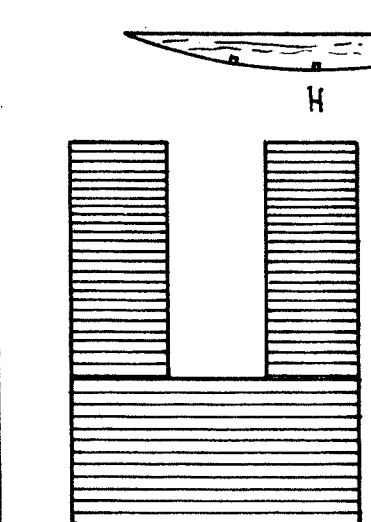
Side View



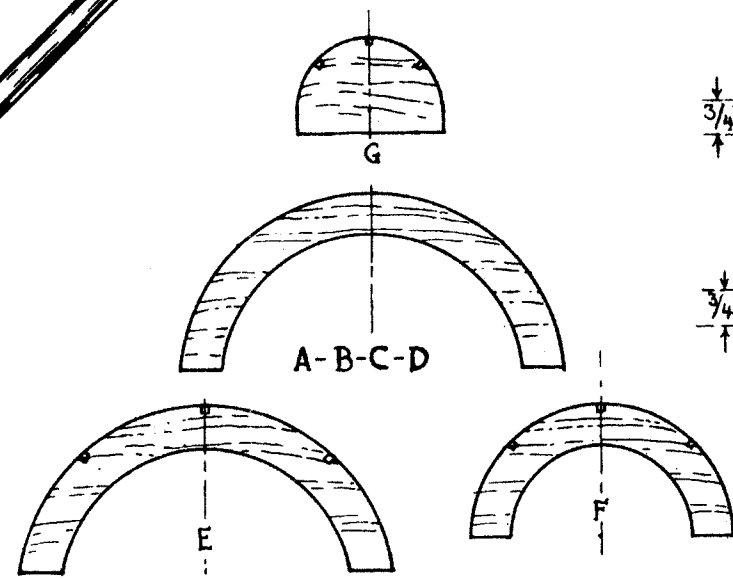
British SE5 Pursuit

MEGOW'S

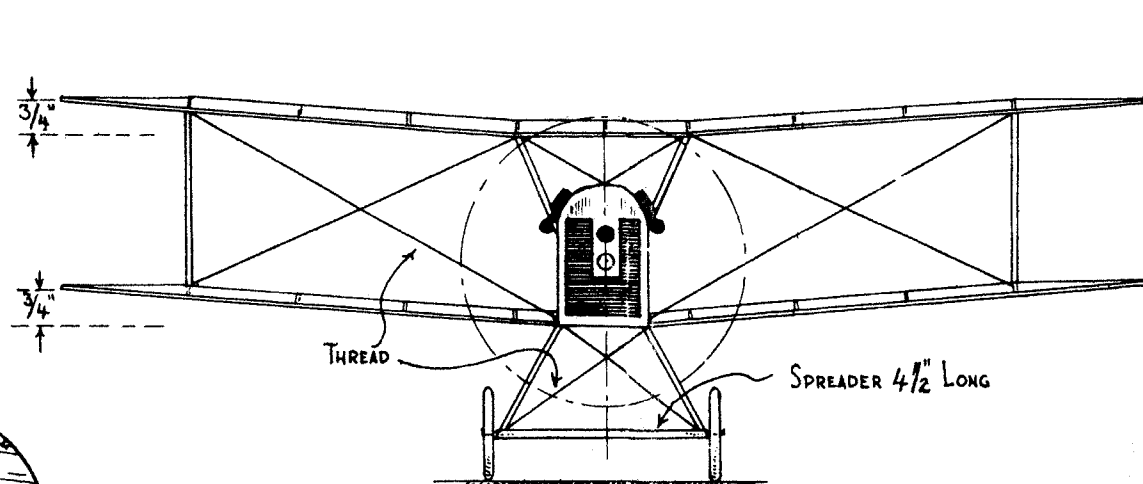
MODEL PLANES



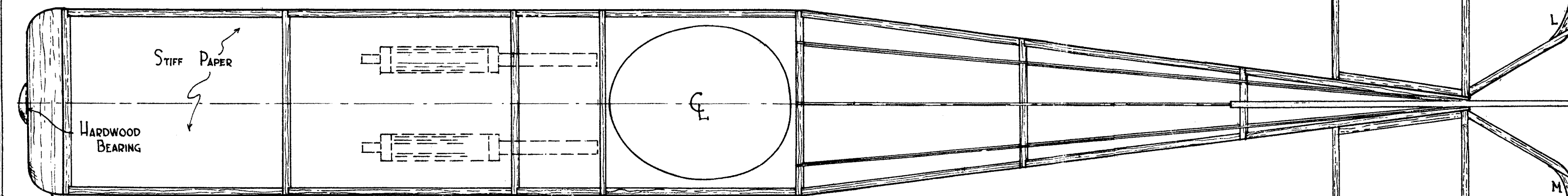
RADIATOR Cut from plan, cement to nose.



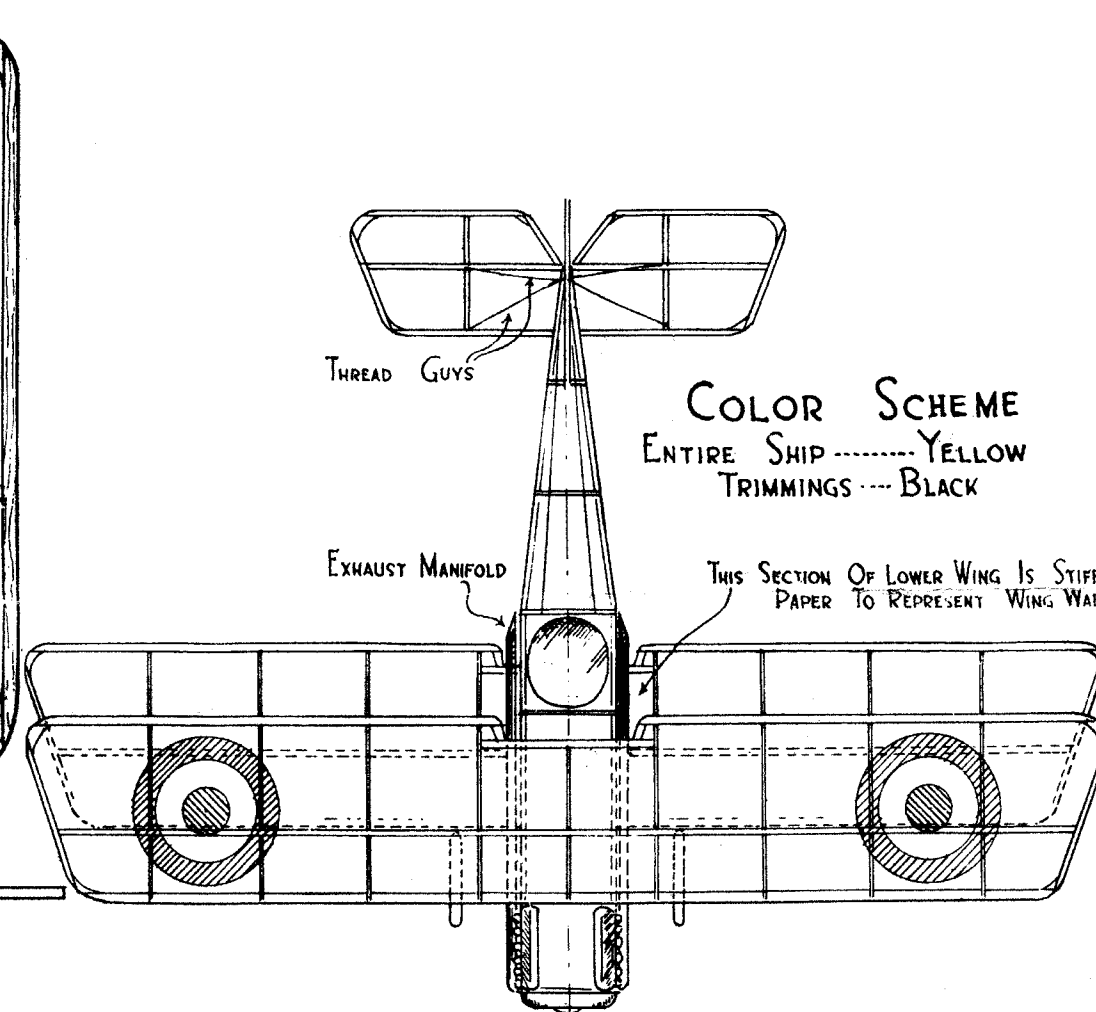
FUSELAGE FORMERS



FRONT VIEW SHOWING DIHEDRAL ETC. 1/4 ACTUAL SIZE

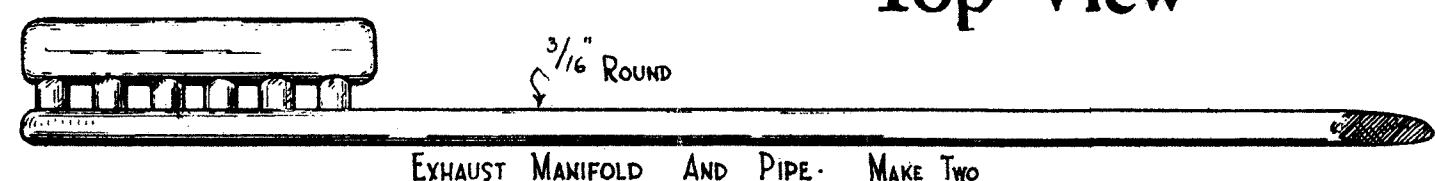


Top View

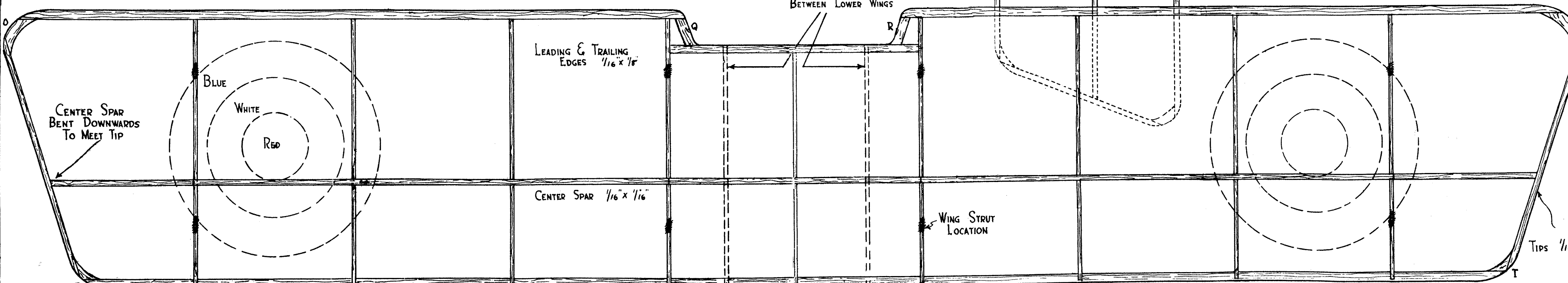


TOP VIEW OF ASSEMBLED MODEL 1/4 SIZE

COLOR SCHEME ENTIRE SHIP ..... YELLOW TRIMMINGS ..... BLACK



EXHAUST MANIFOLD AND PIPE. MAKE TWO



Wing Layout

MEGOW'S, PHILADELPHIA, PA., U.S.A.