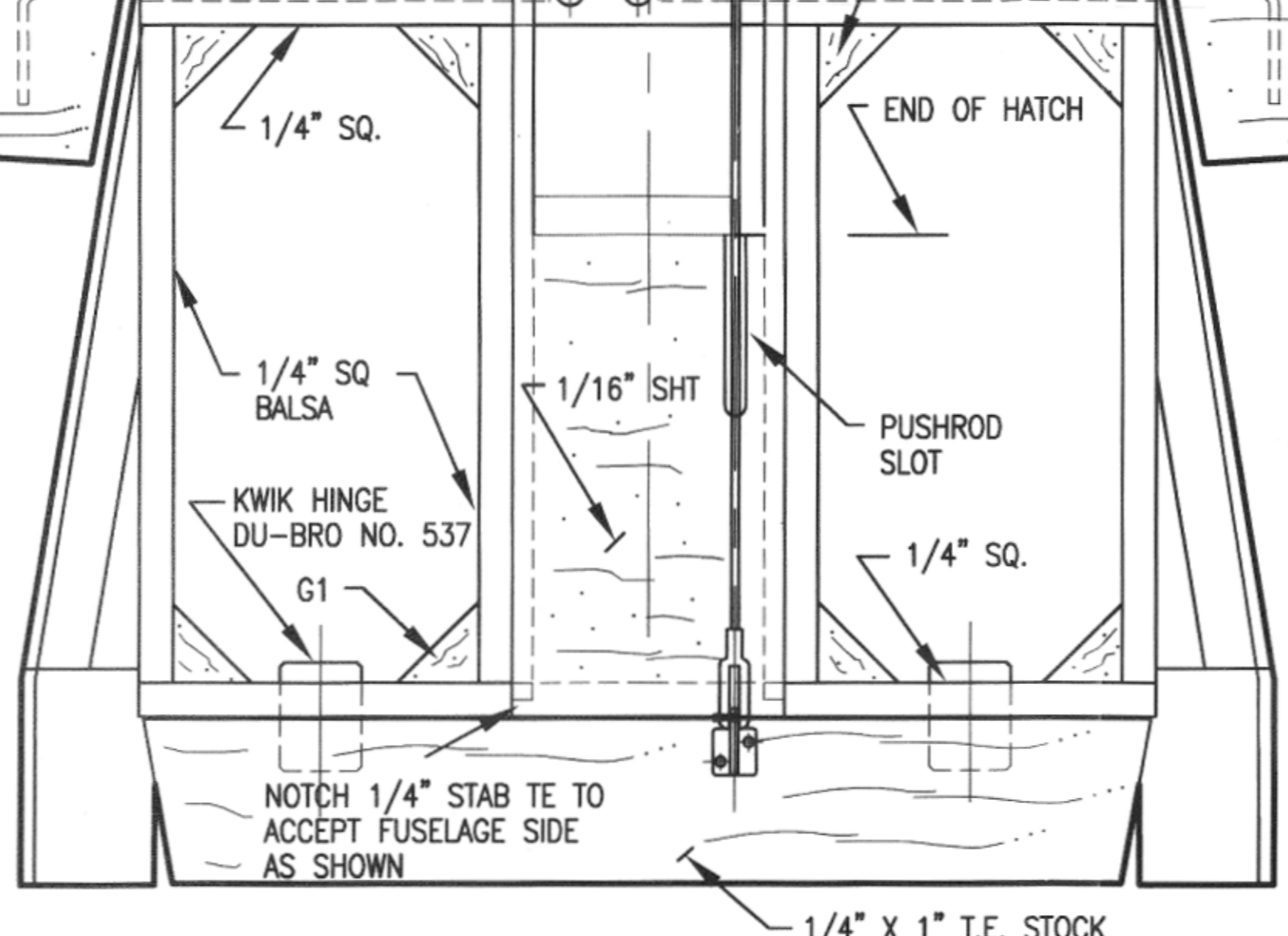
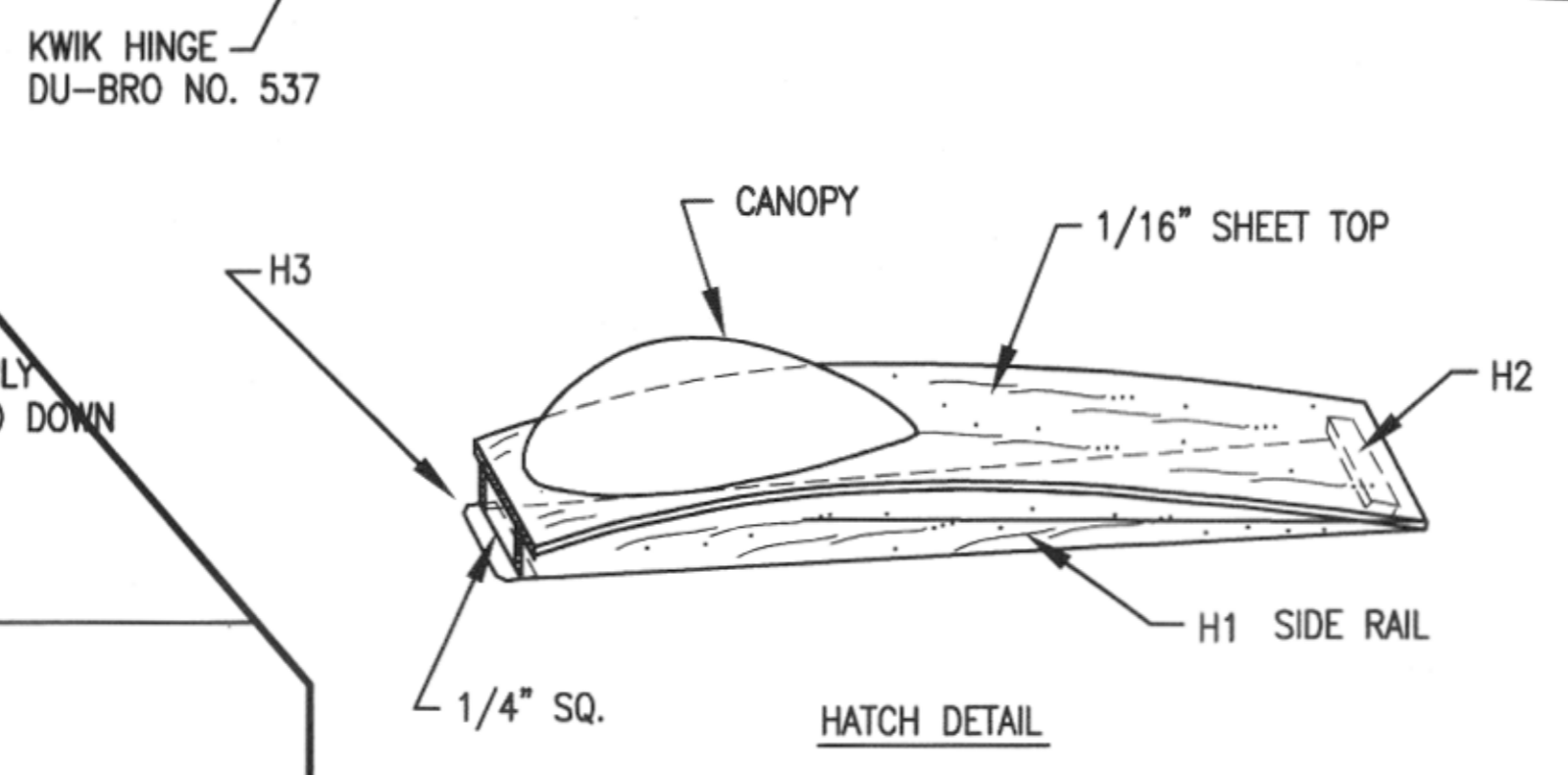
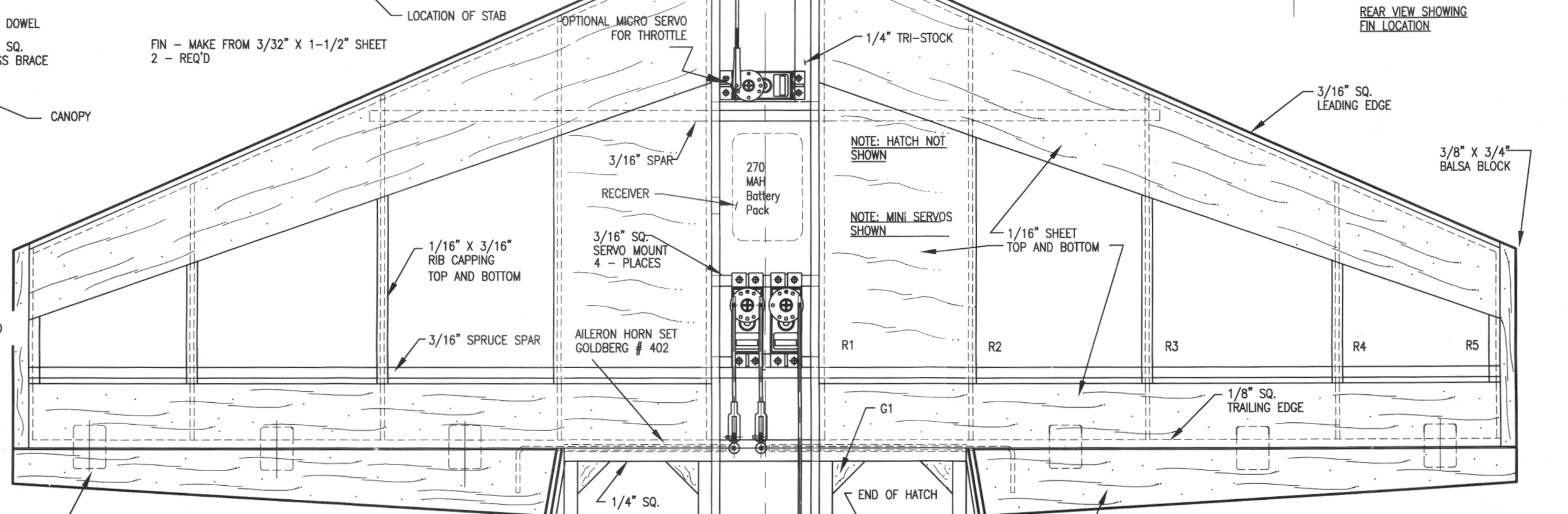
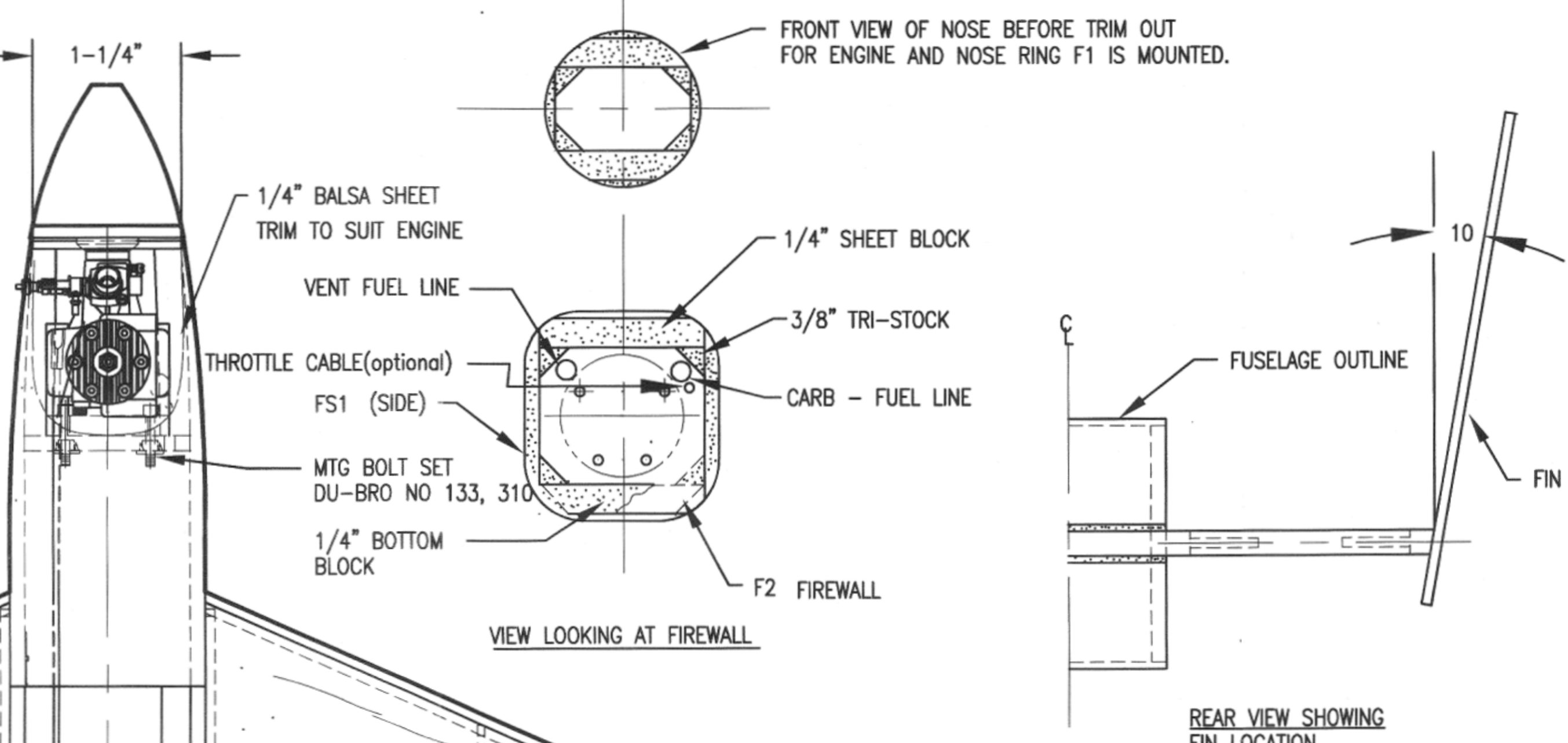


FIN - MAKE FROM 3/32" X 1-1/2" SHEET 2 - REQ'D



NOTE CONTROL SURFACE TRAVEL

AILERON --- 1/8" UP - 1/8" DOWN TO 3/16" UP - 3/16" DOWN

ELEVATOR --- 1/4" UP - 1/4" DOWN TO 3/8" UP - 3/8" DOWN

1/4 X 1-1/8" AILERON STOCK TRIM TO CONFIGURATION SHOWN SAND TRAILING EDGE UNIFORM

1/2A SHRIKE

A FUN AIRPLANE

LANIER R/C, INC. -- P.O. BOX 458 -- OAKWOOD, GA. 30566

DESIGNED BY JOE BESHAR ENGINEERED FOR 1/2A BY MARSHALL CHEVES

AutoCad GENERATED BY JERRY SMITH

