



LE BLACKBURN 'AIREDALE' N * 188

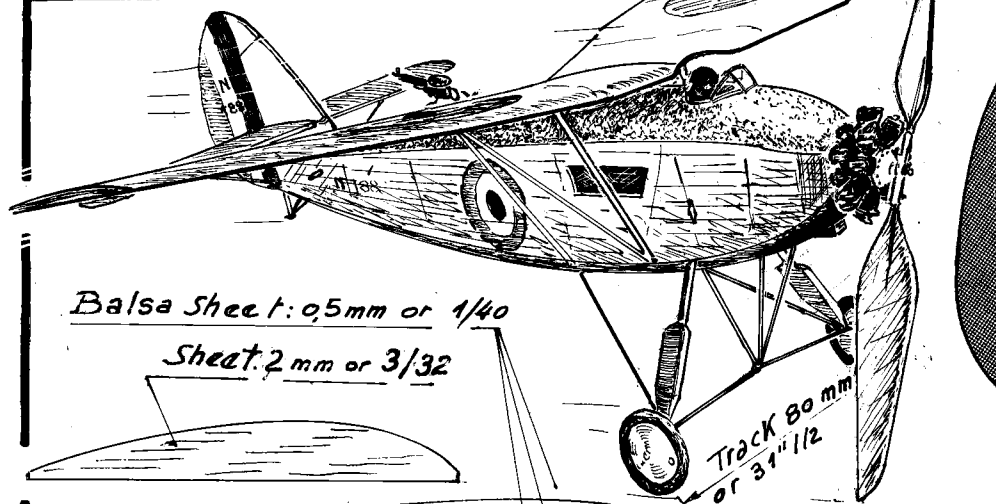
Maquette volante taille 'Peanut'
par E. FILLON France

Triplace d'observation

Documents:
Aeromodeller Avril 1961

Anglais année 1926. Moteur Armstrong-Siddeley 'Jaguard' 14 cyl

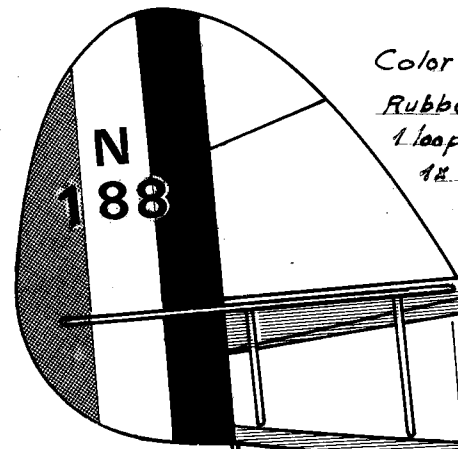
Propeller ϕ 6 1/8
ou 155mm



Balsa Sheet: 0.5mm or 1/40

Sheet: 2mm or 3/32

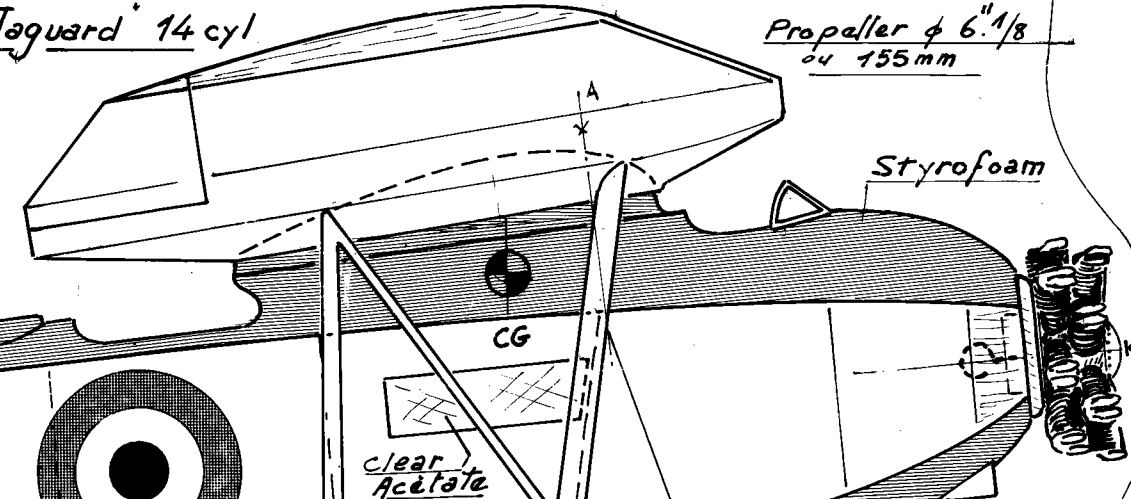
Track 80mm
or 3 1/2"



Color: Aluminium on all surfaces
Rubber motor Pirelli
1 loop 1' ou 300mm en
1x1,5mm or 1/16 Wide

N-188

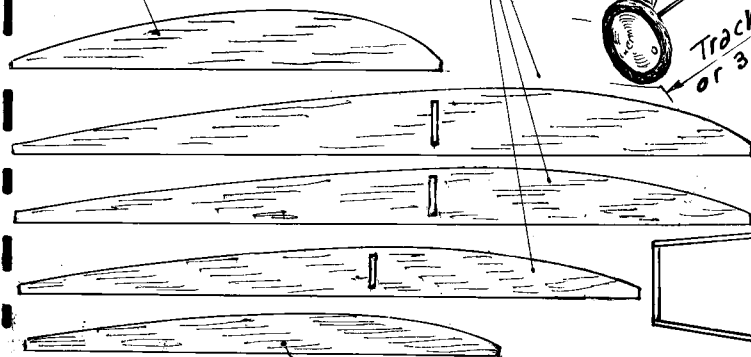
Spar Balsa sheet 1mm or 1/20



Styrofoam

CG

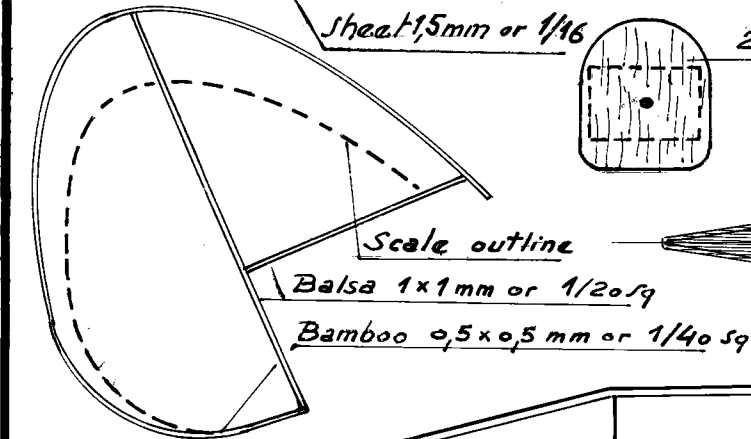
Clear Acetate



Sheet 1.5mm or 1/16

2 Pièces Balsa 1mm or 1/20

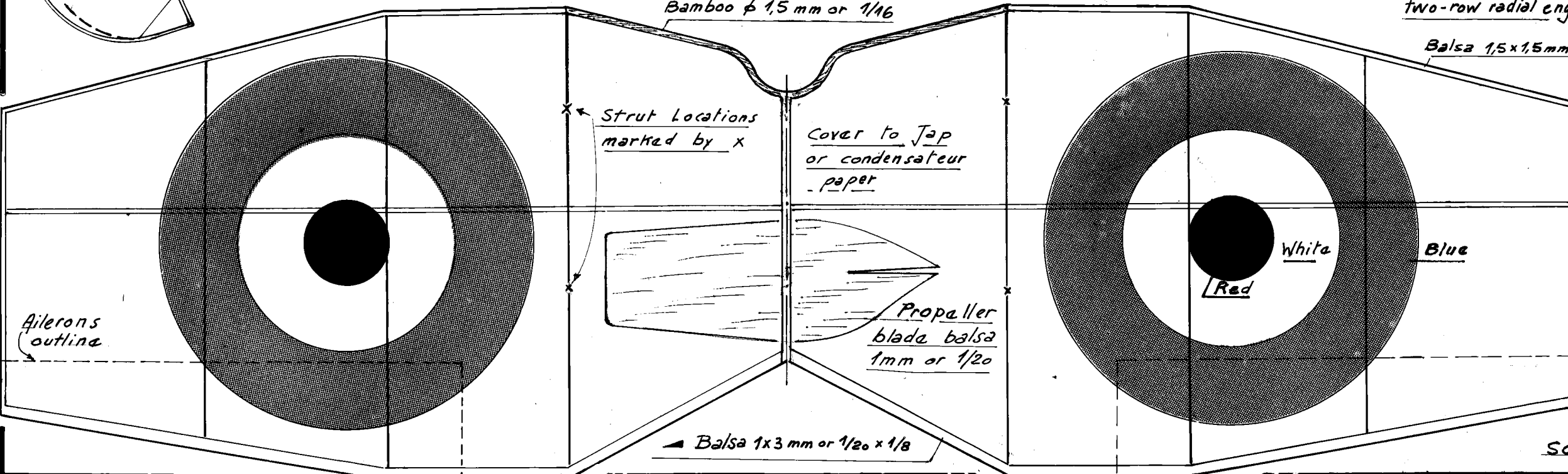
2 Pièces
Balsa sheet .15mm or 1/16



Scale outline

Balsa 1x1mm or 1/20sq

Bamboo 0.5x0.5mm or 1/40sq



Bamboo ϕ 1.5mm or 1/16

Strut Locations
marked by x

Cover to Jap
or condensateur
paper

Propeller
blada balsa
1mm or 1/20

Balsa 1x3mm or 1/20 x 1/8

White

Blue

Red

Dihedral 22mm or 7/8

Scale outline

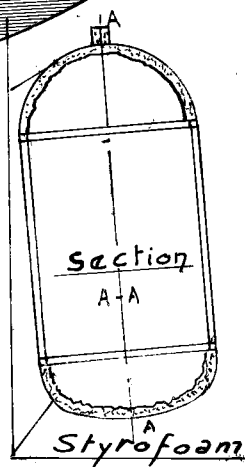
Undercart to scale

Balsa 1x1mm or
1/20sq

Balsa
Sheet 1/40
ou 0.5mm

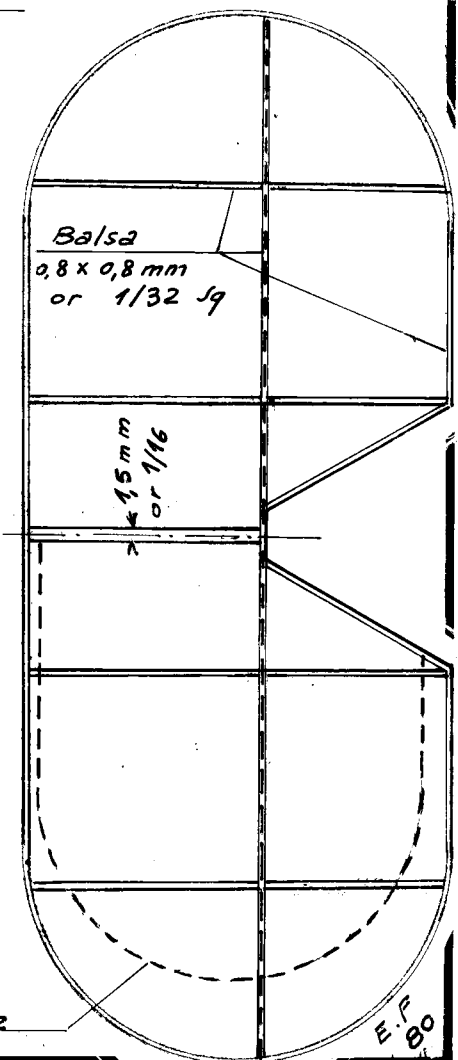
Wheels

Styrofoam ϕ 22mm or 7/8



Section
A-A

Styrofoam



Balsa
0.8 x 0.8mm
or 1/32sq

1.5mm
or 1/16