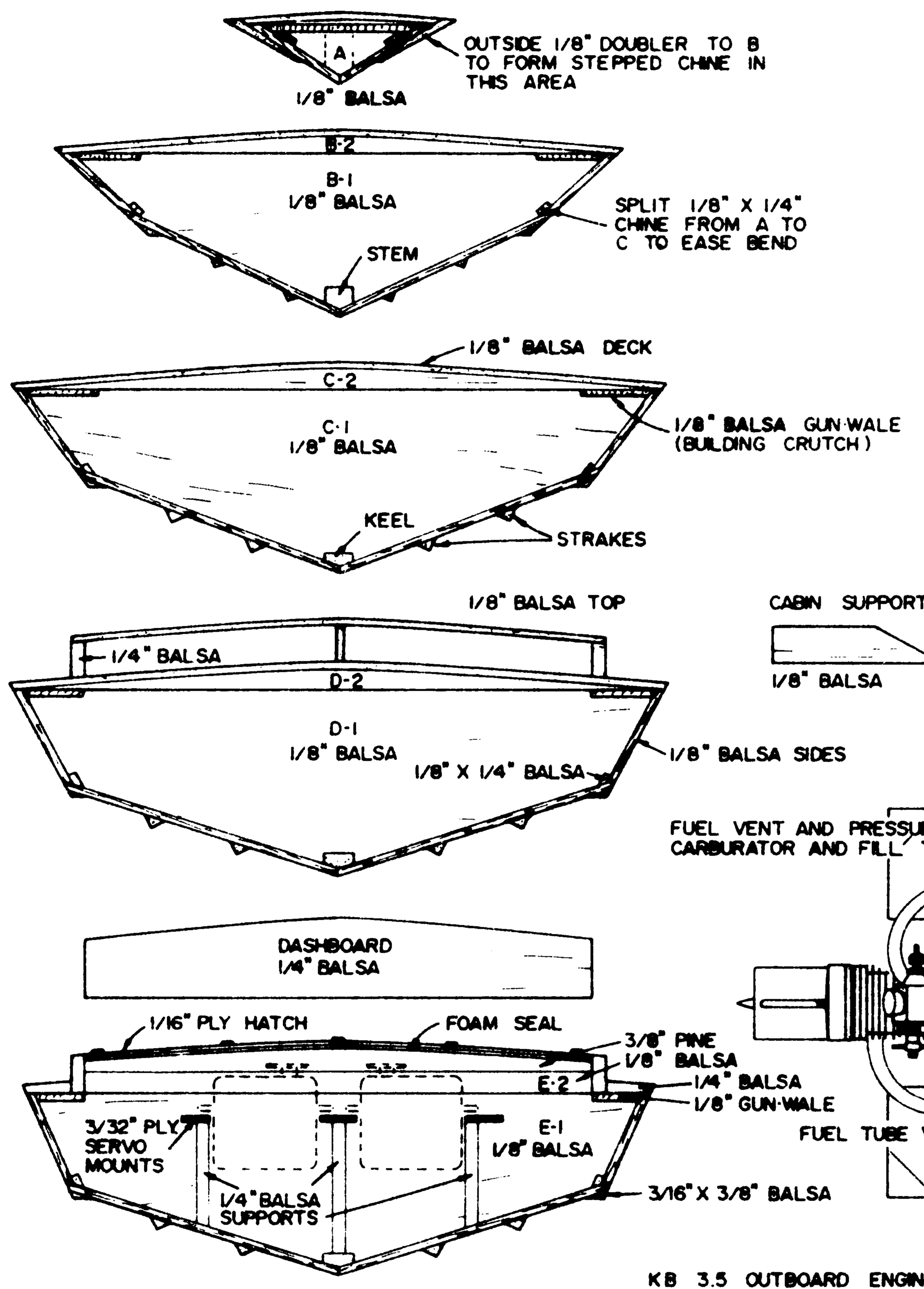
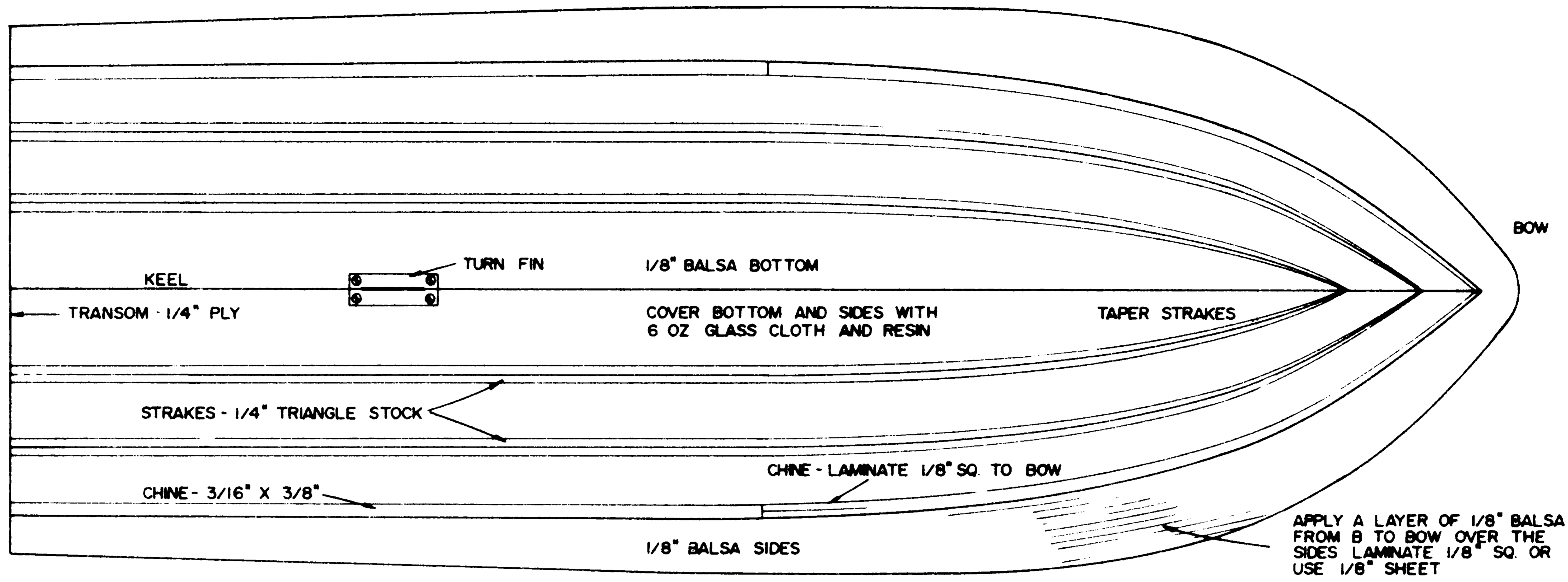


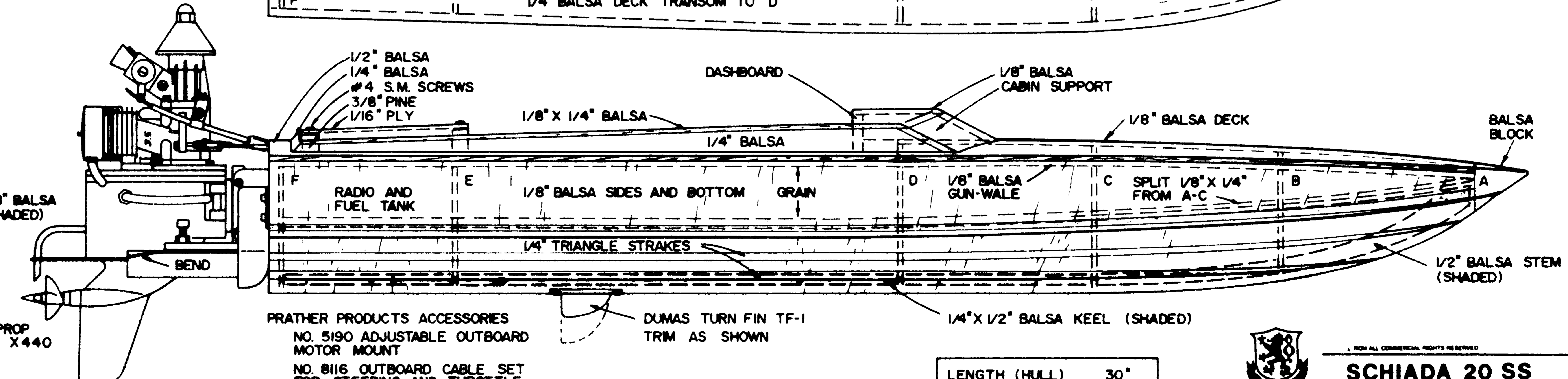
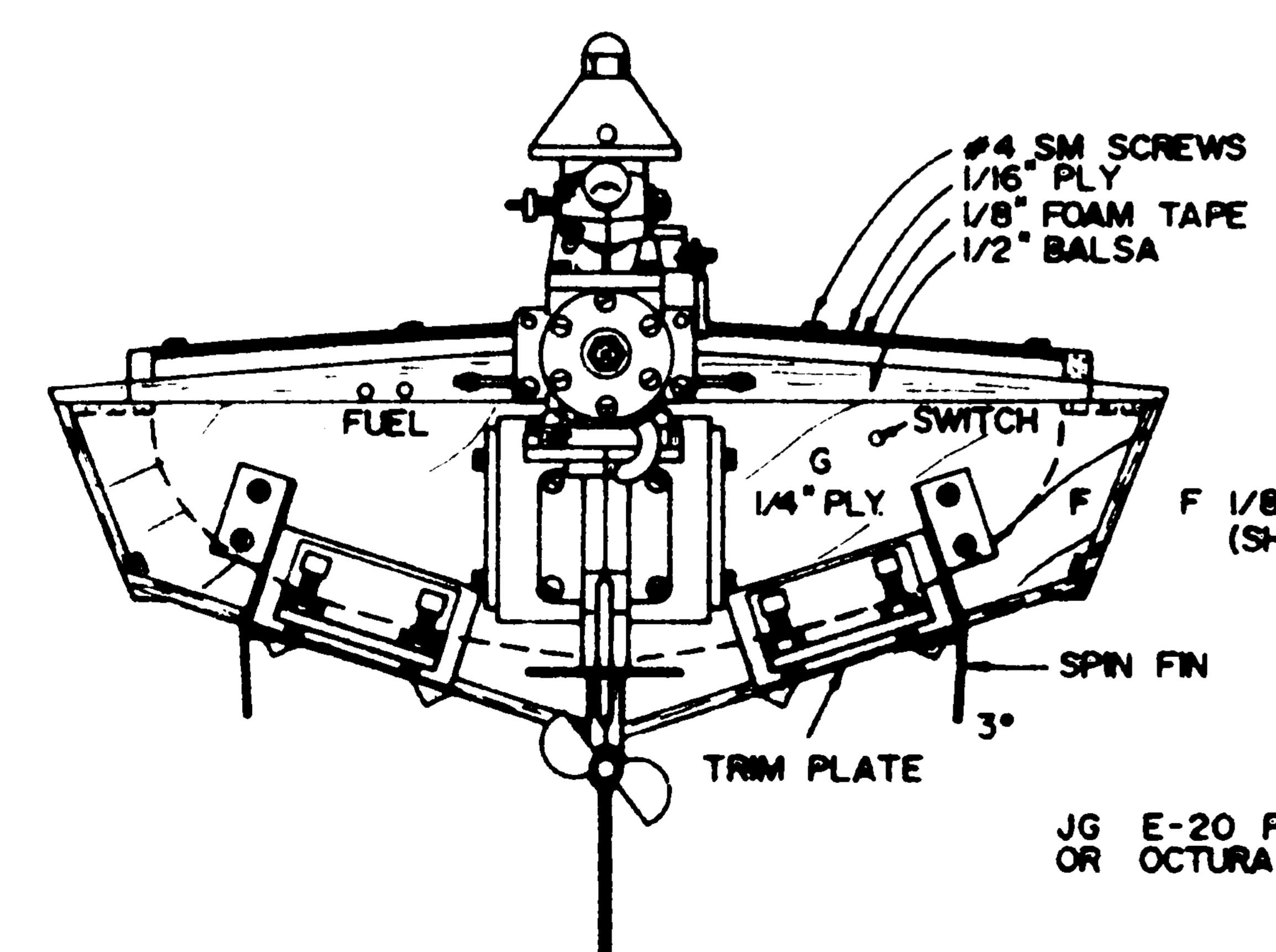
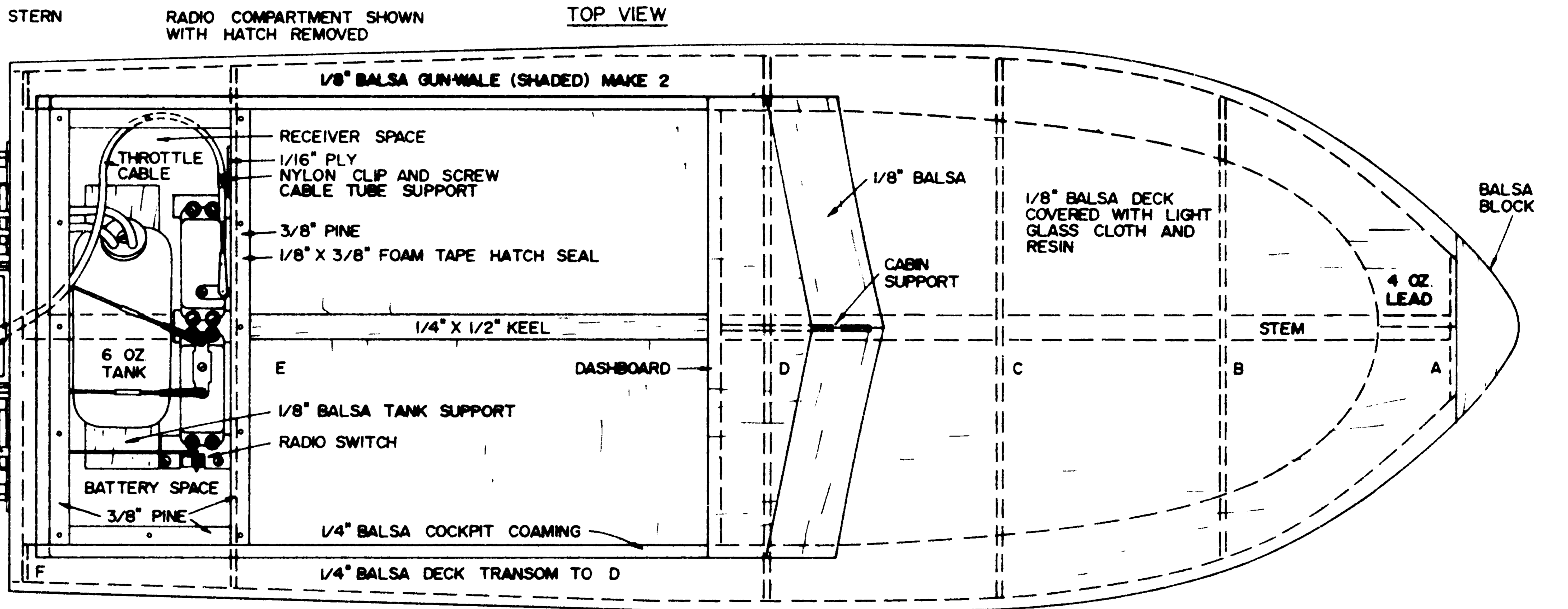
BULKHEADS



BOTTOM VIEW



TOP VIEW



- PRATHER PRODUCTS ACCESSORIES
 NO. 5190 ADJUSTABLE OUTBOARD MOTOR MOUNT
 NO. 8116 OUTBOARD CABLE SET FOR STEERING AND THROTTLE
 NO. 1051 OUTBOARD DEEP VEE RUNNING HARDWARE KIT TRIM PLATES AND SPIN FIN

LENGTH (HULL)	30"
LENGTH O.A.	36"
WIDTH	11"
WEIGHT	5 LBS.
ENGINE - KB 3.5 OUTBOARD	
RADIO - TWO CHANNEL	



SCHIADA 20 SS

STAND OFF SCALE OUTBOARD SKI BOAT
 DESIGNED AND DRAWN BY FRED REESE

