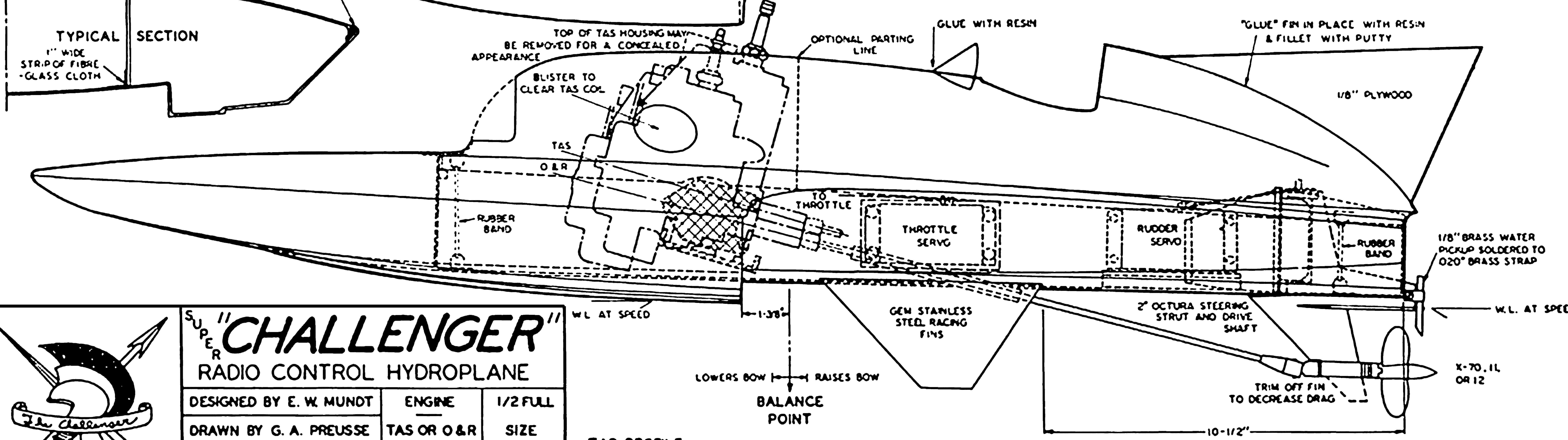
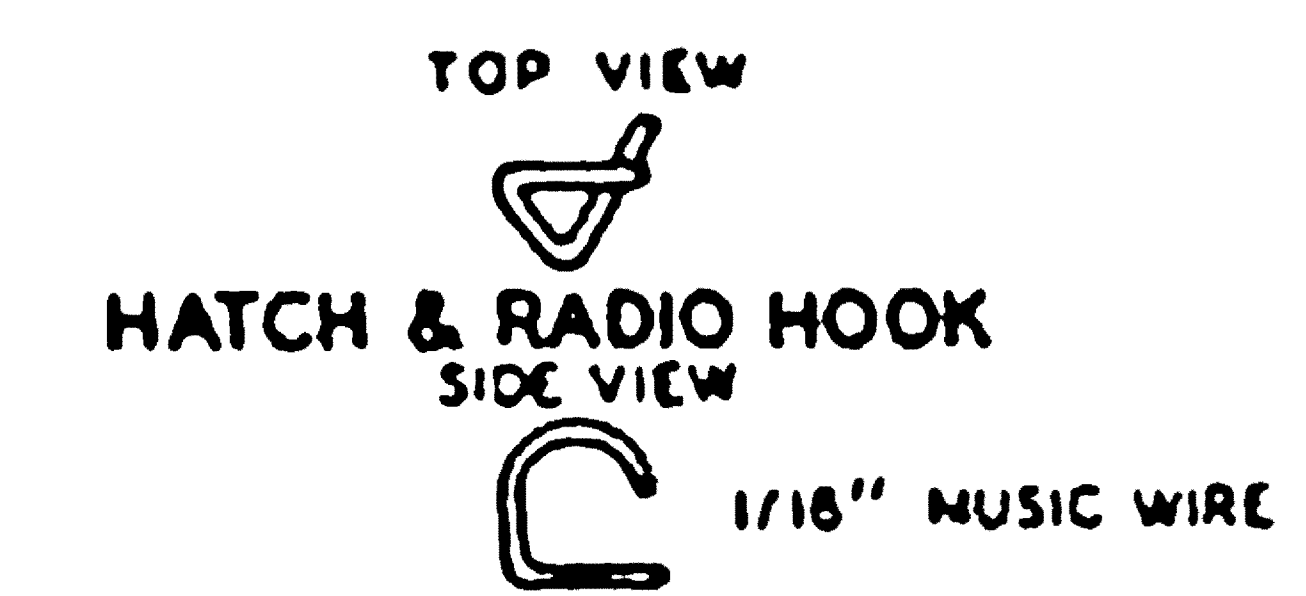
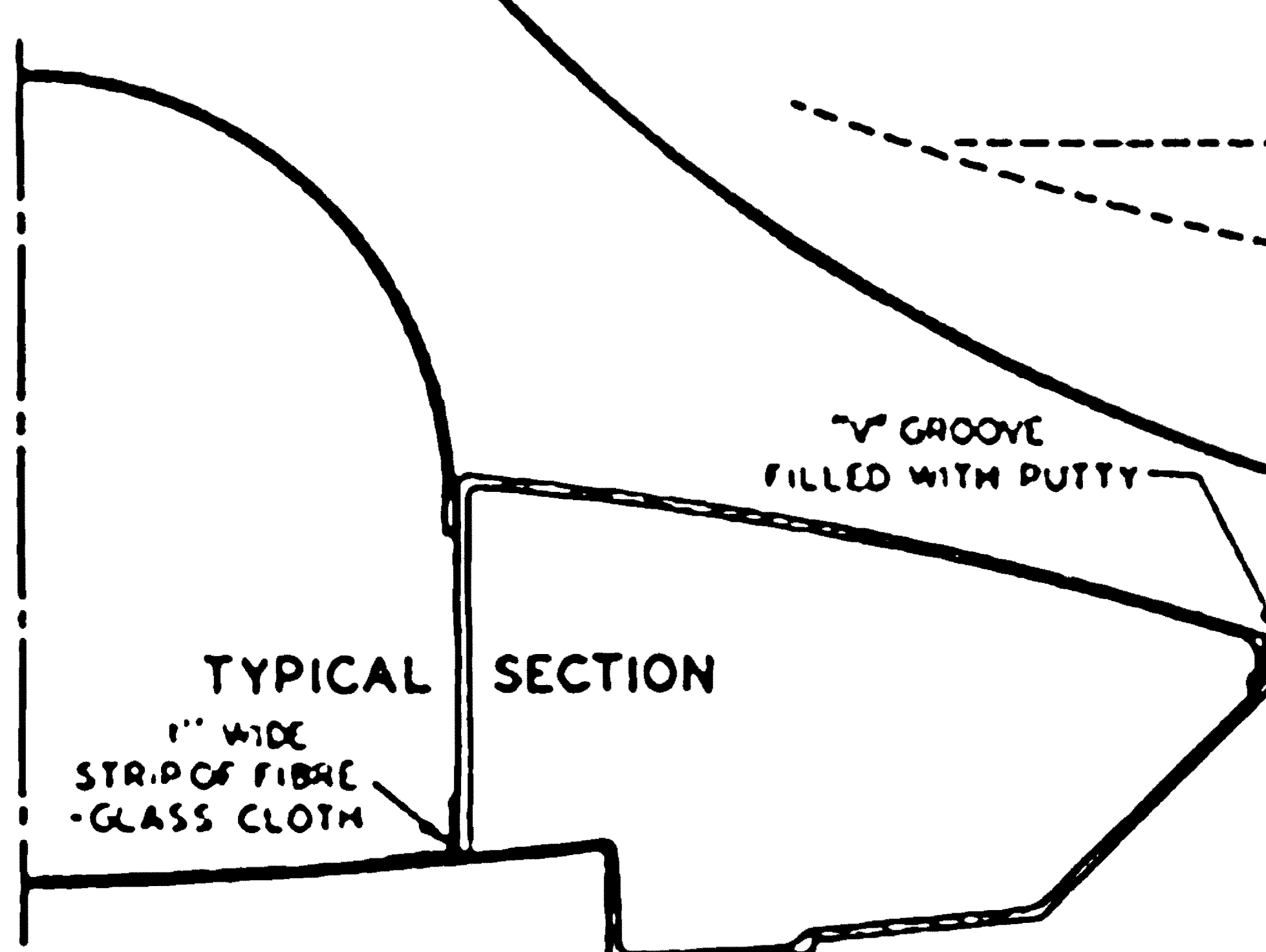
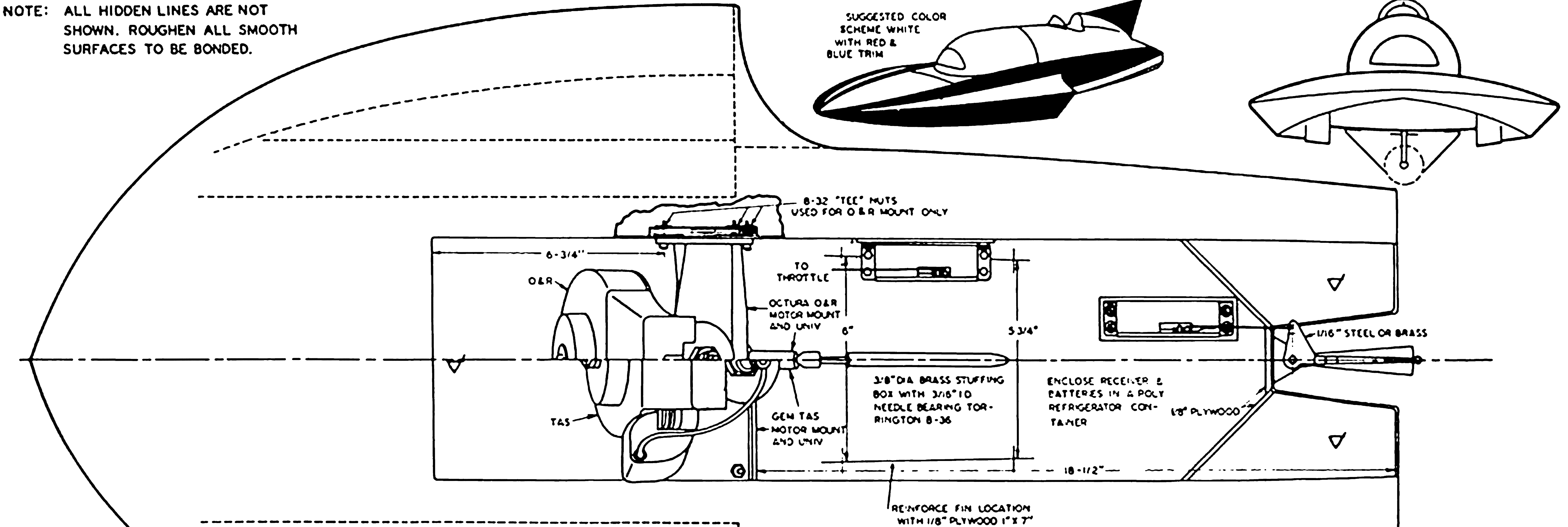
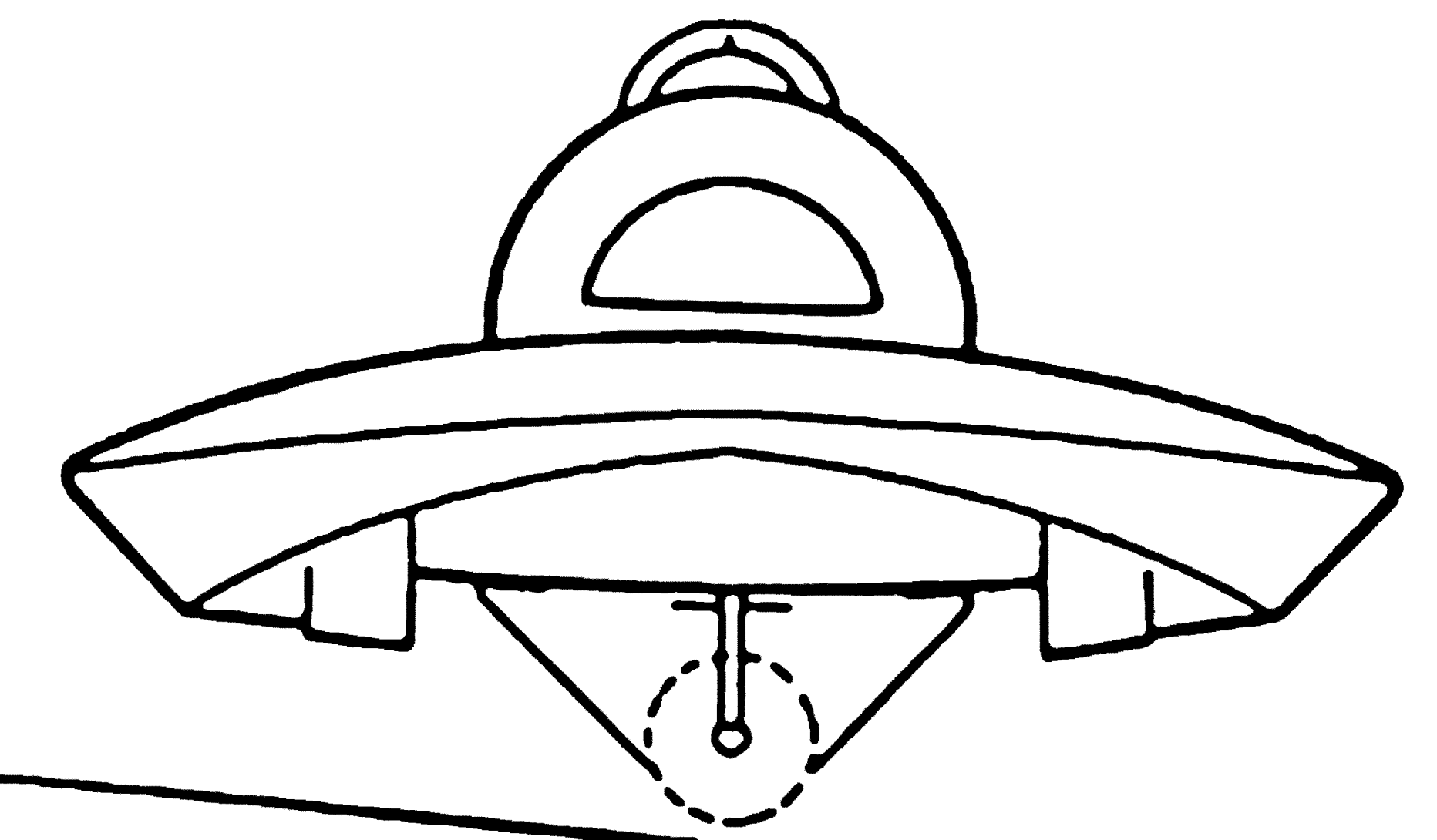
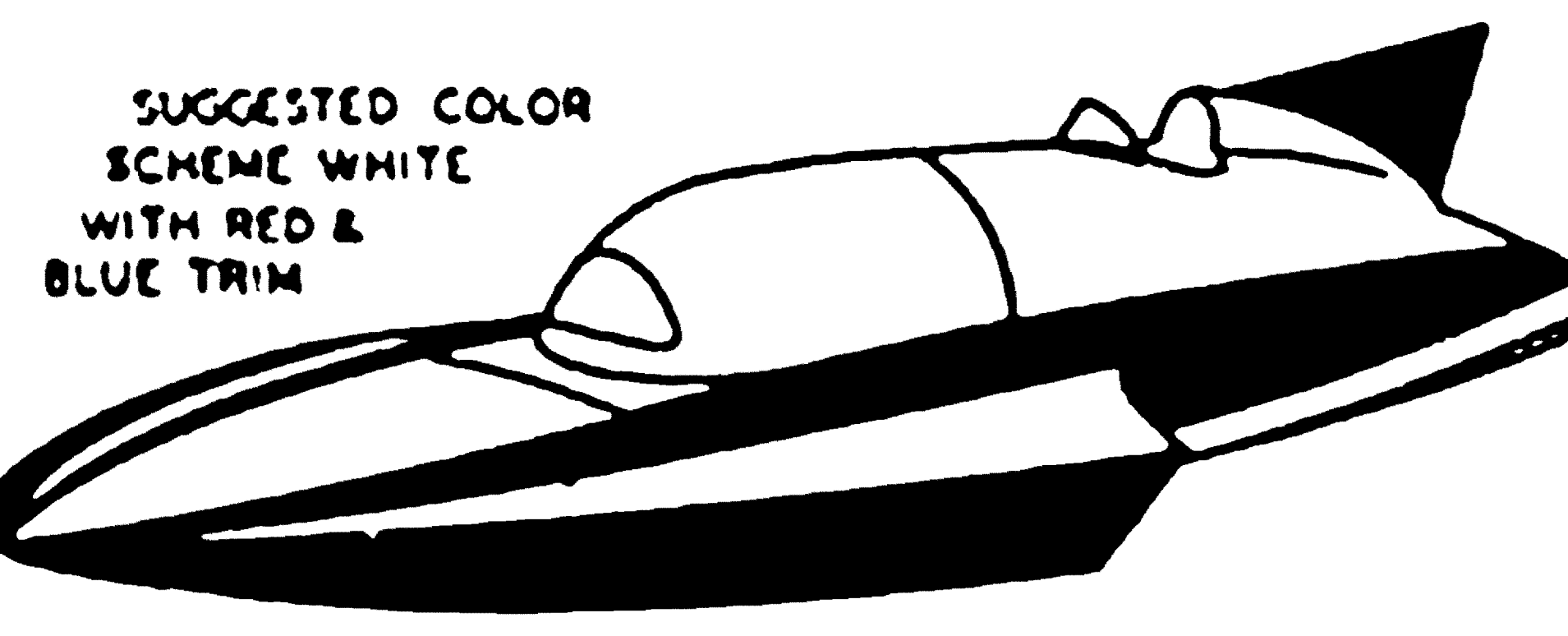


NOTE: ALL HIDDEN LINES ARE NOT SHOWN. ROUGHEN ALL SMOOTH SURFACES TO BE BONDED.



SUPER CHALLENGER
 RADIO CONTROL HYDROPLANE

DESIGNED BY E. W. MUNDT	ENGINE	1/2 FULL
DRAWN BY G. A. PREUSSE	TAS OR O&R	SIZE

G.E.M. MODELS
 48 WEST LE MOYNE LOMBARD, ILLINOIS

TAS PROFILE ————
 O&R PROFILE ————
 TAS MOUNT // // //
 O&R MOUNT X X X X