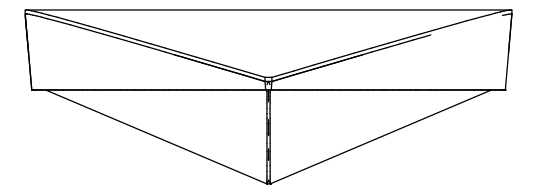
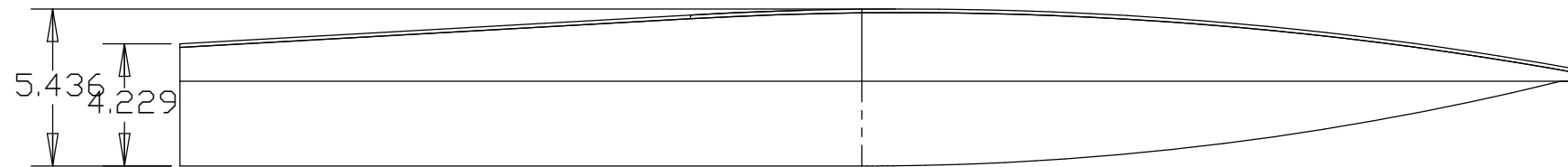
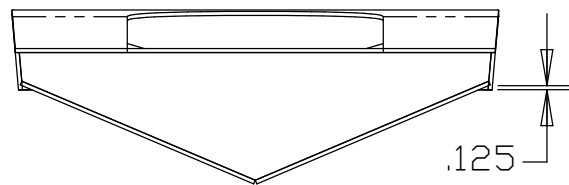
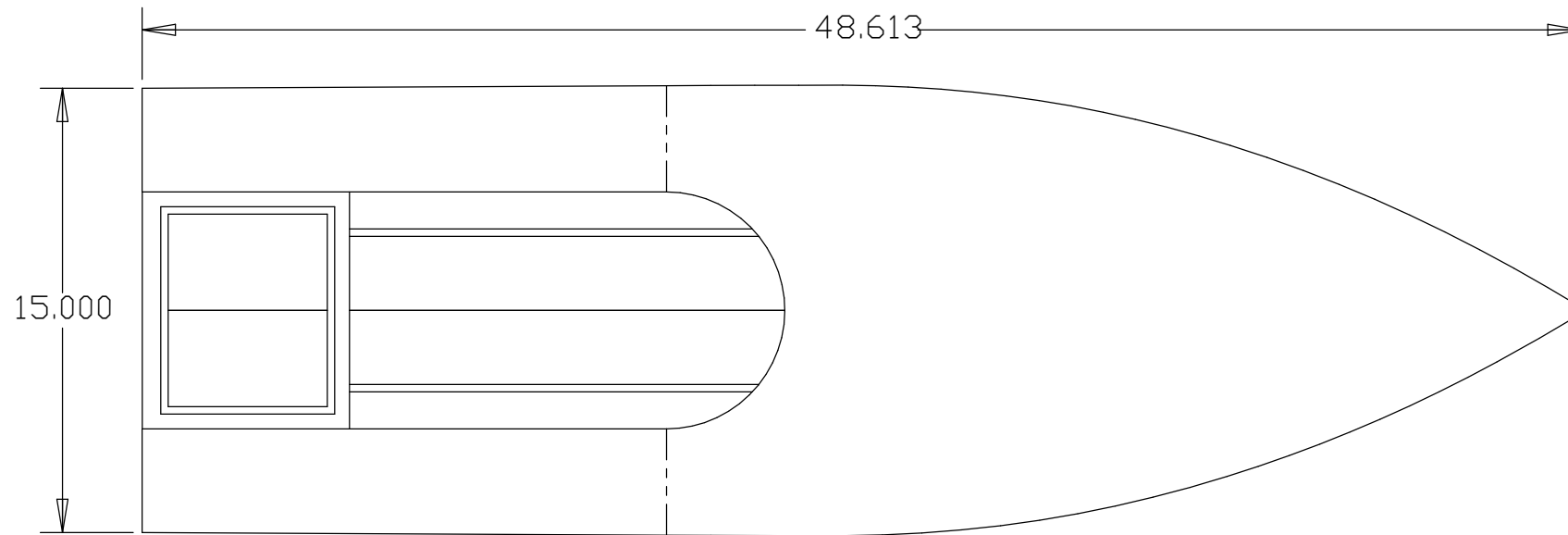
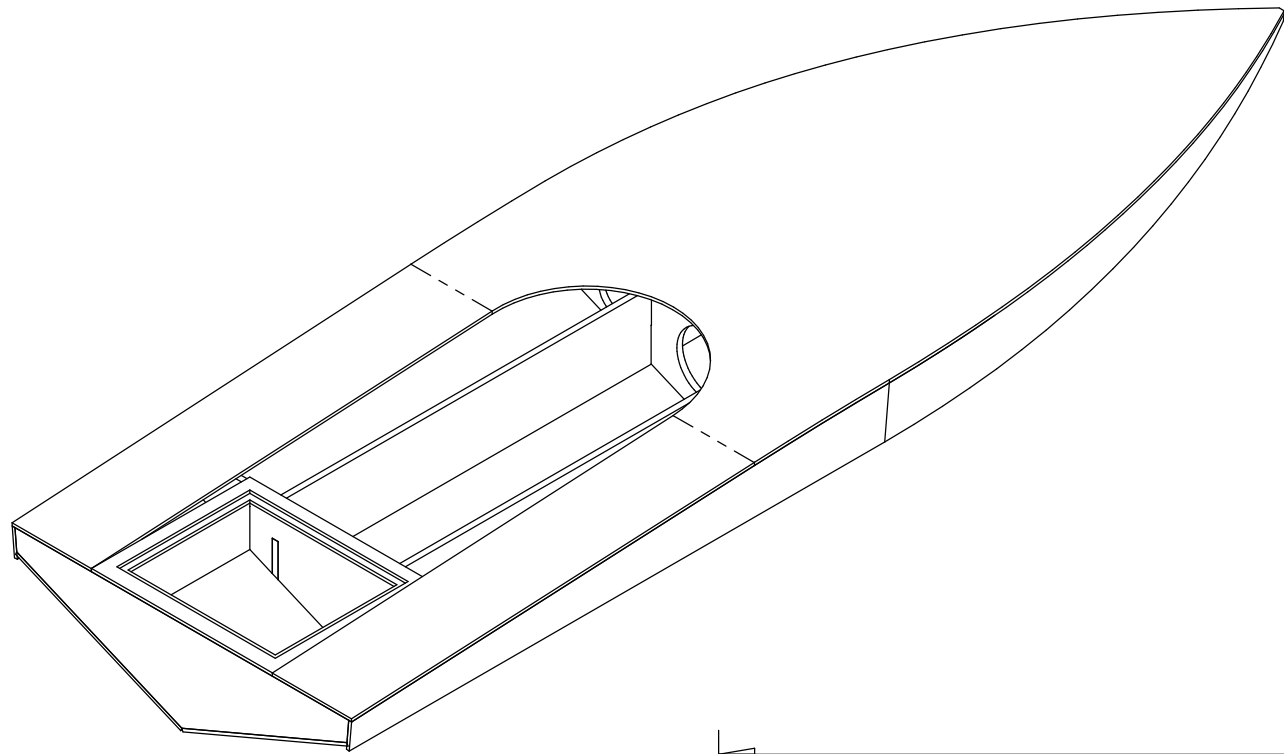
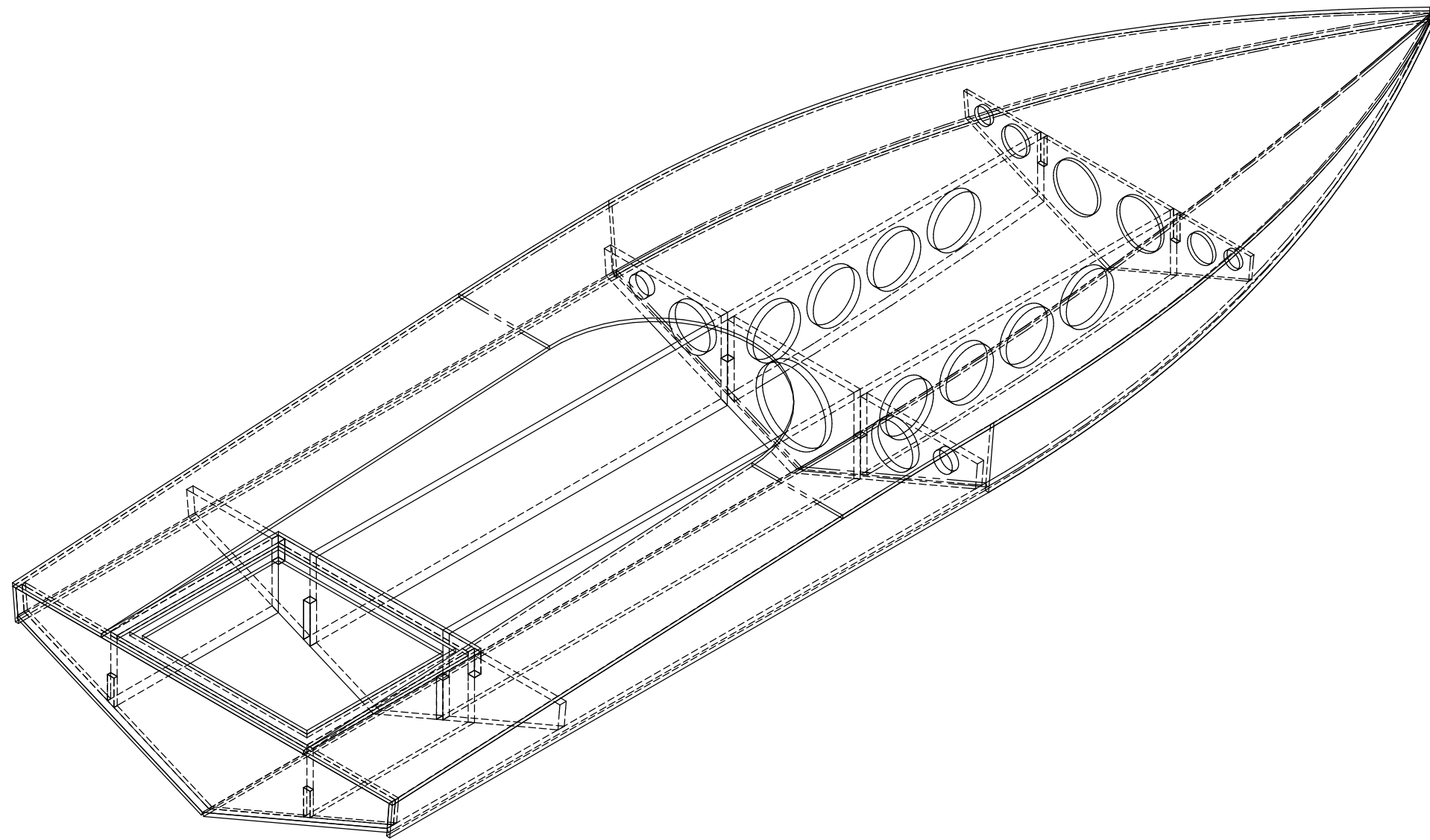
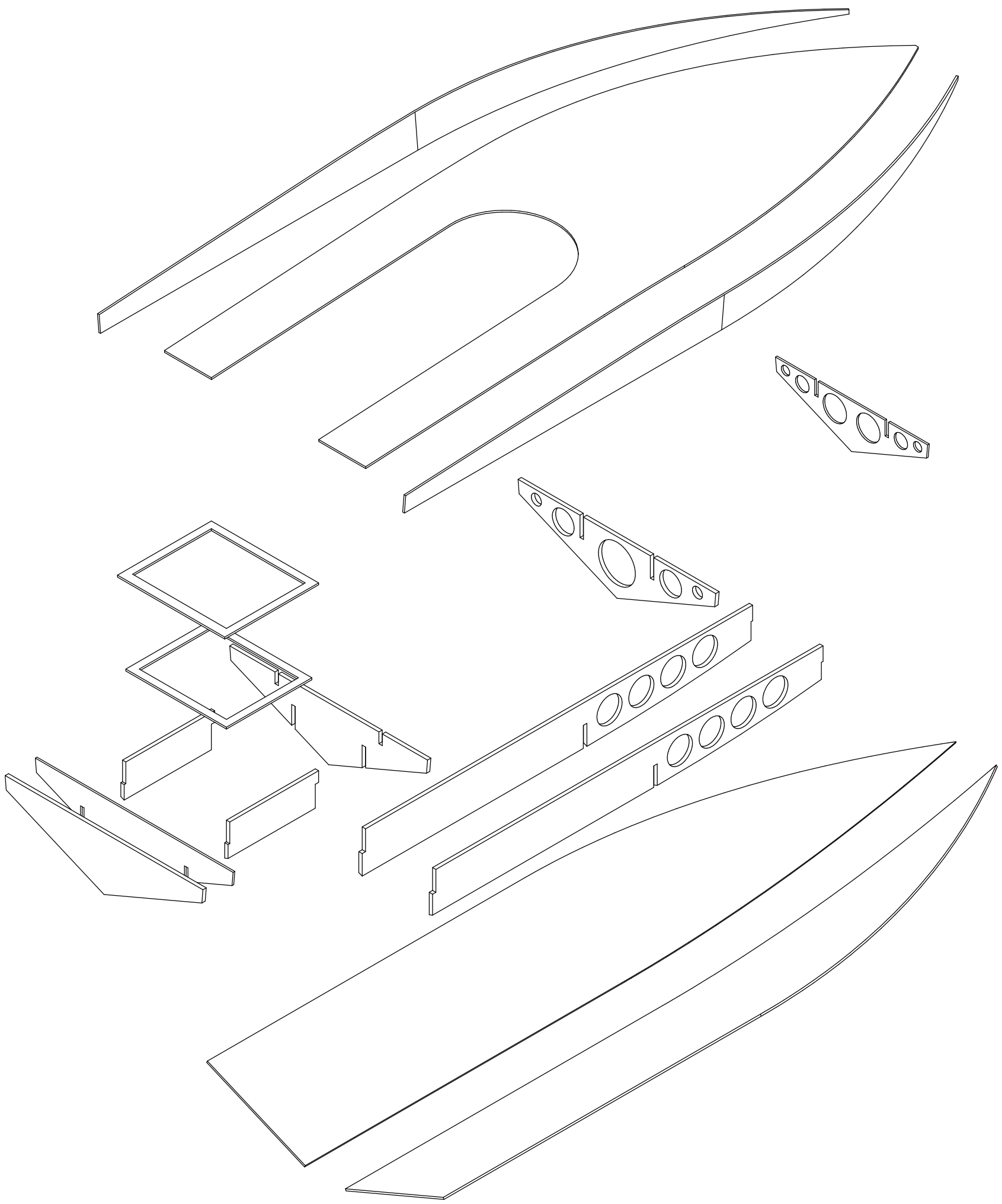
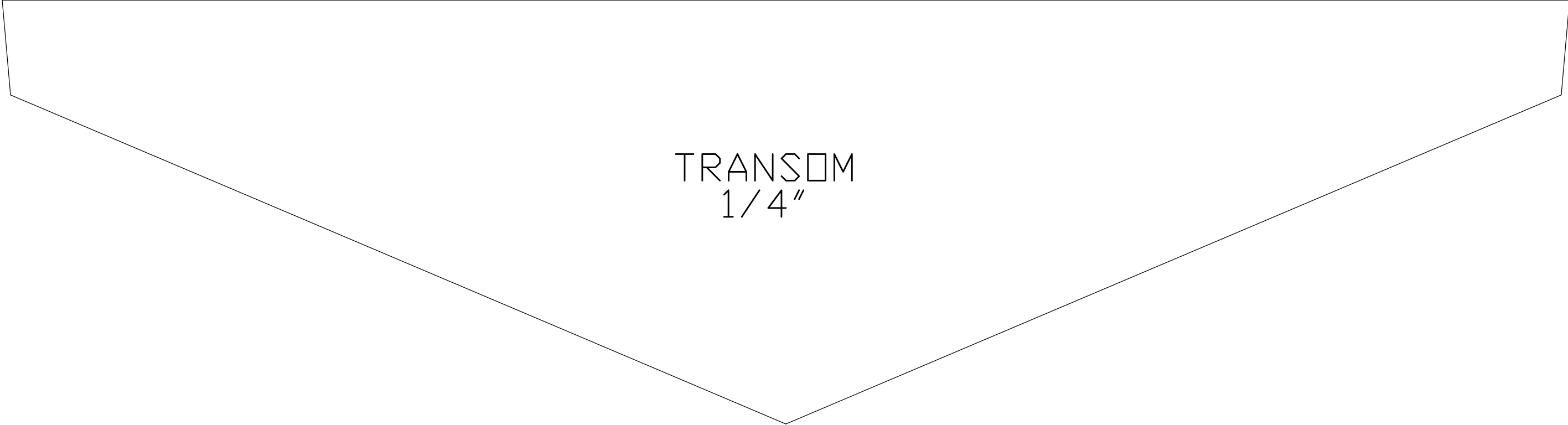


48 Inch Mono

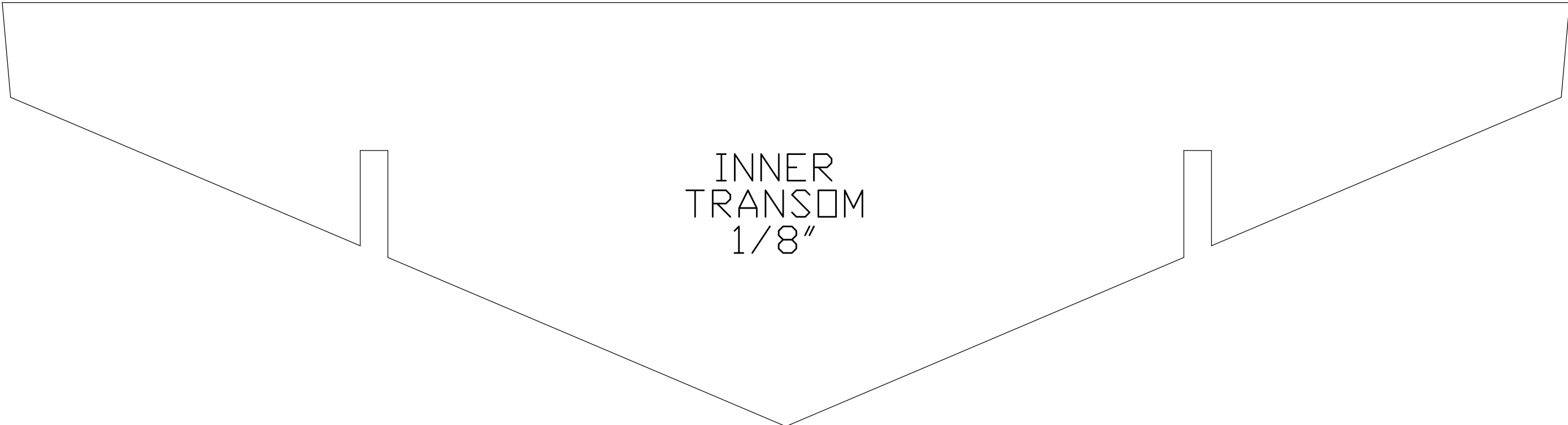




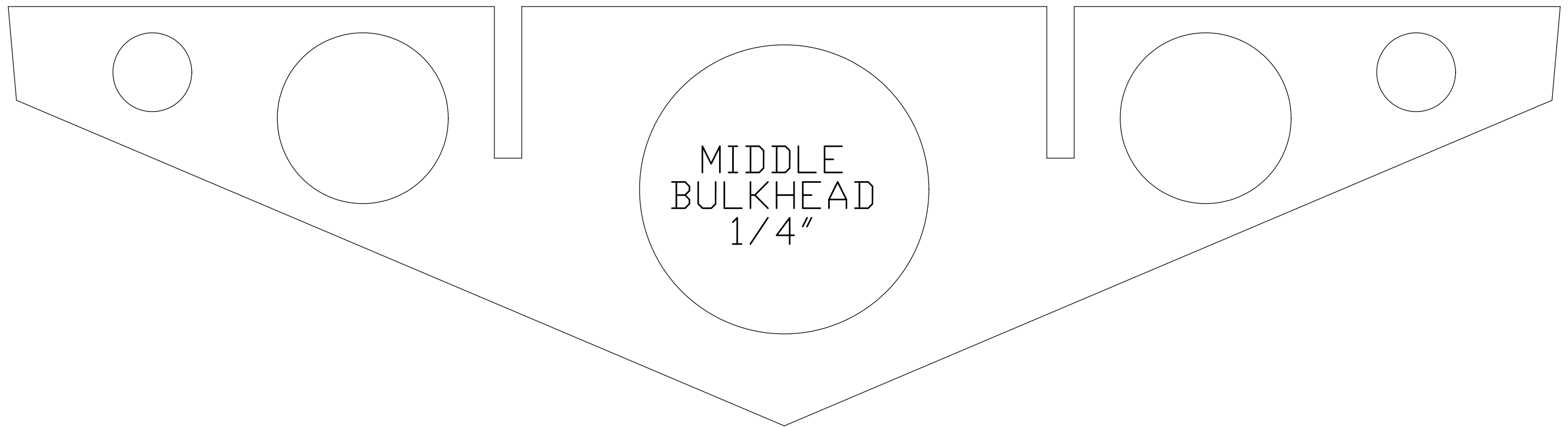


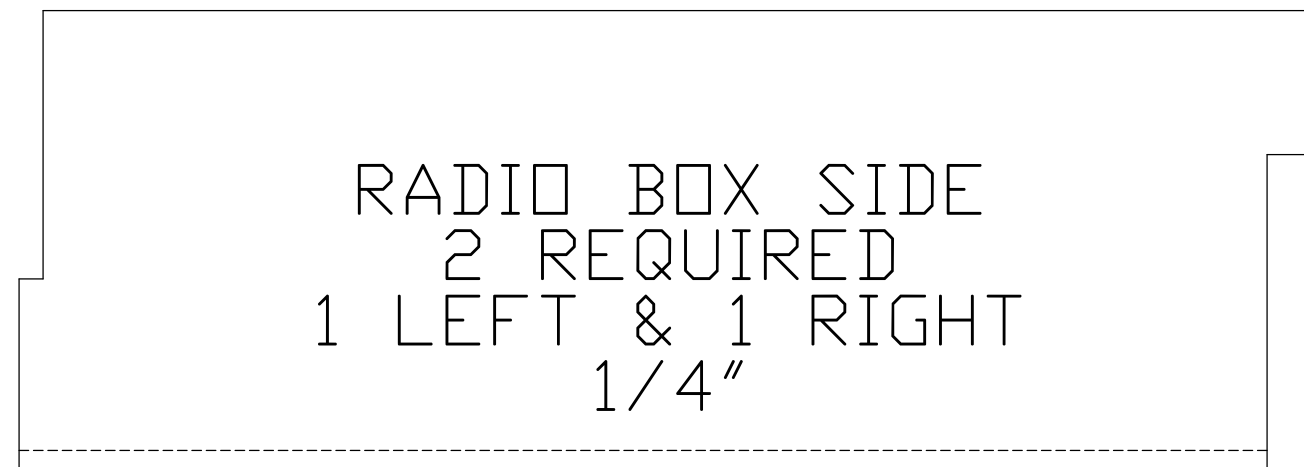
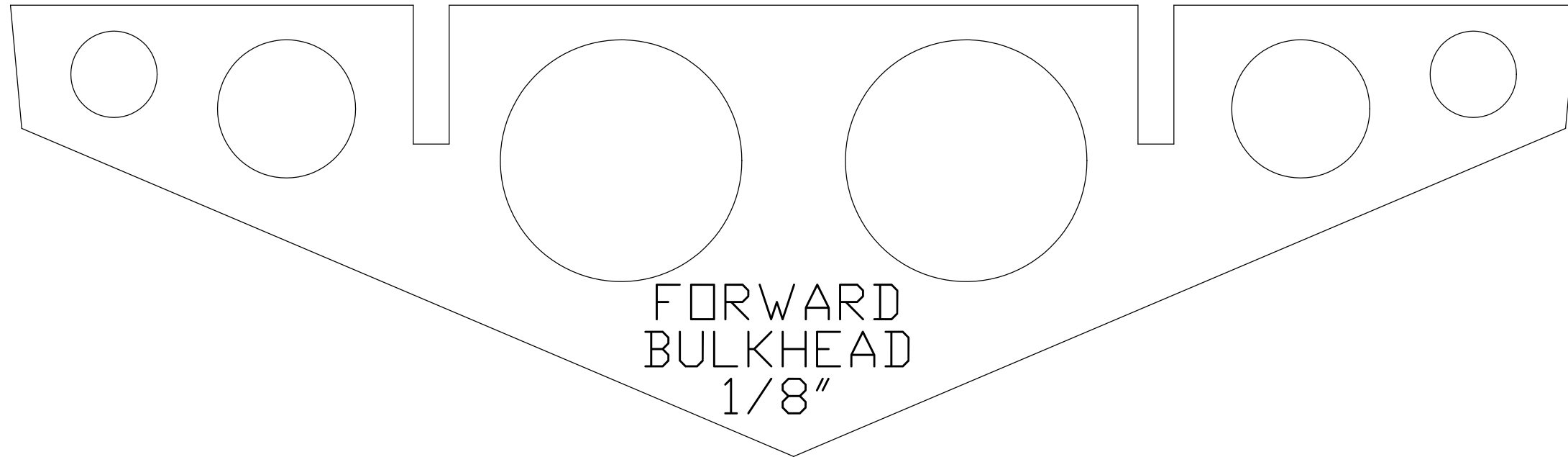


TRANSOM
1/4"



INNER
TRANSOM
1/8"

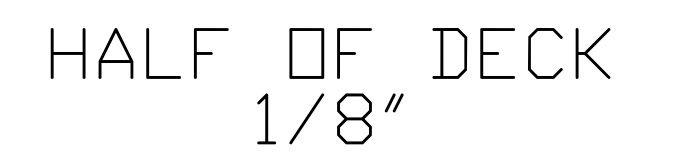




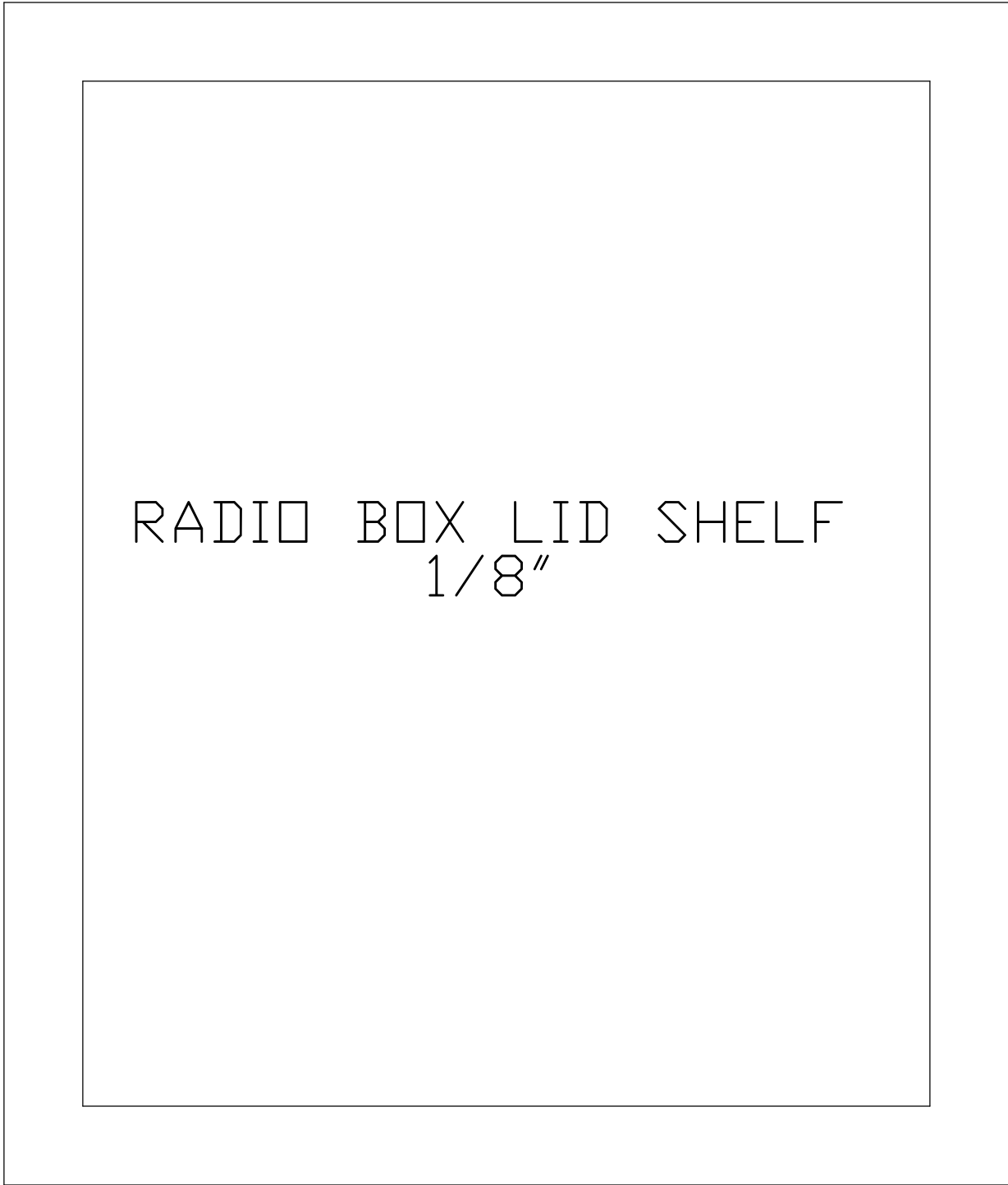




BOTTOM
2 REQUIRED
1/8"




HALF OF DECK
1/8"



A diagram showing a rectangular shelf with a 1/8" thickness. It consists of an inner rectangle and an outer rectangle, with the space between them representing the shelf's depth.

RADIO BOX LID SHELF
1/8"



A diagram showing a rectangular rim with a 1/8" thickness. It consists of an inner rectangle and an outer rectangle, with the space between them representing the rim's depth.

RADIO BOX RIM
1/8"