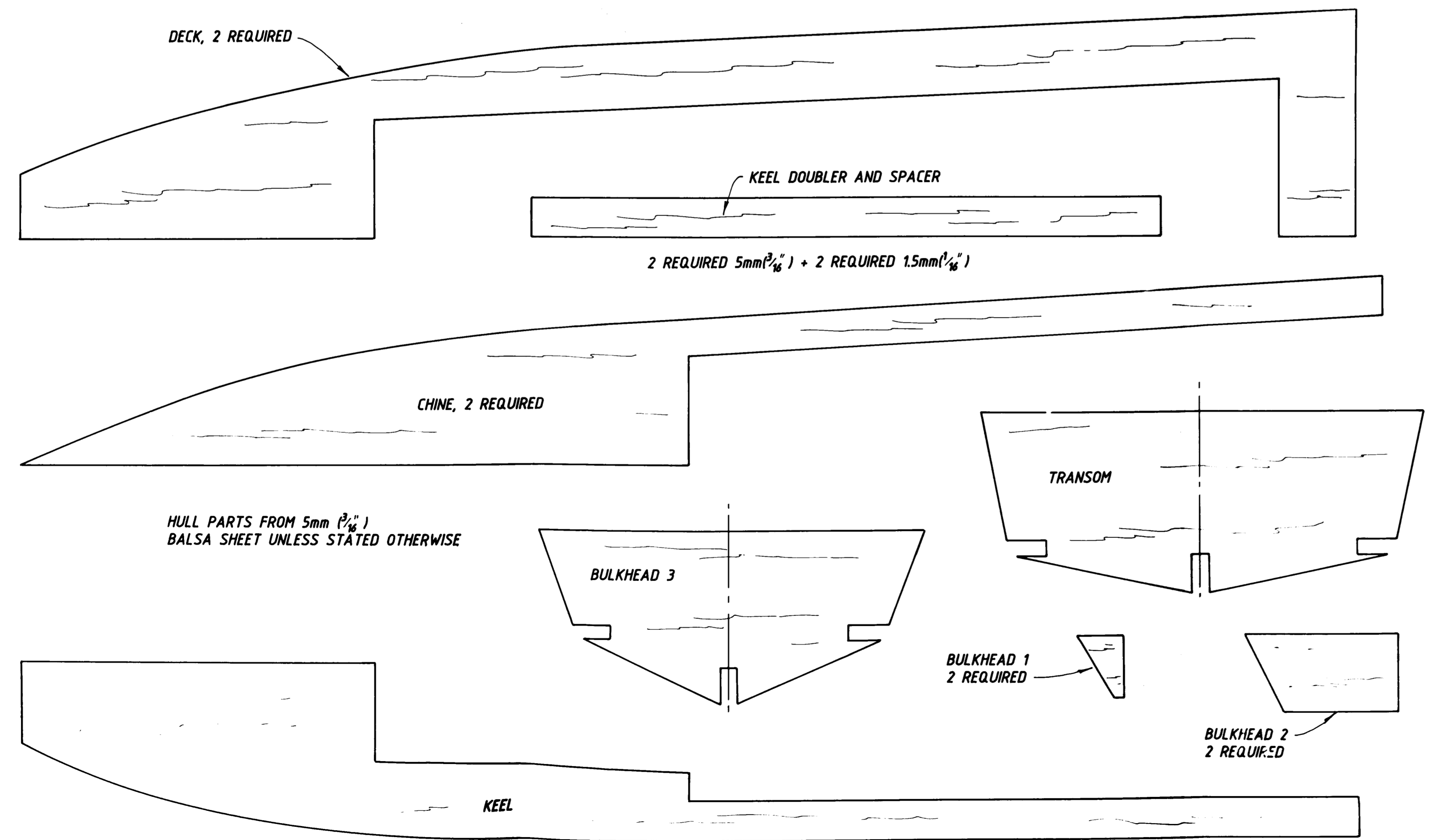
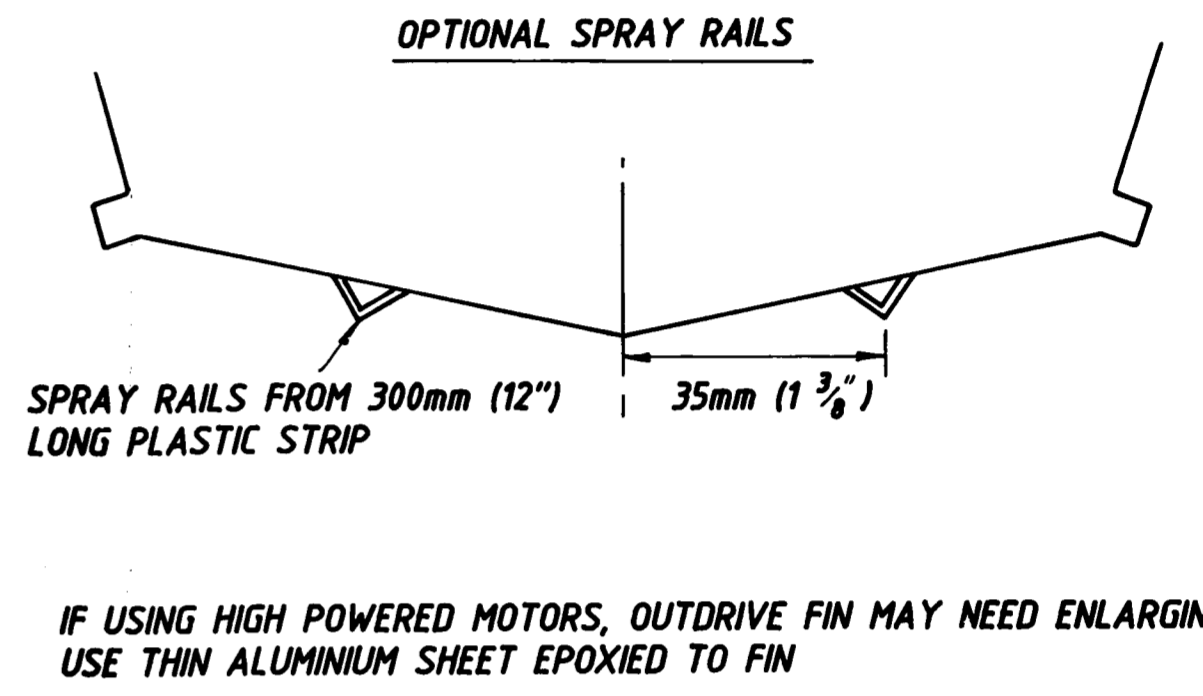
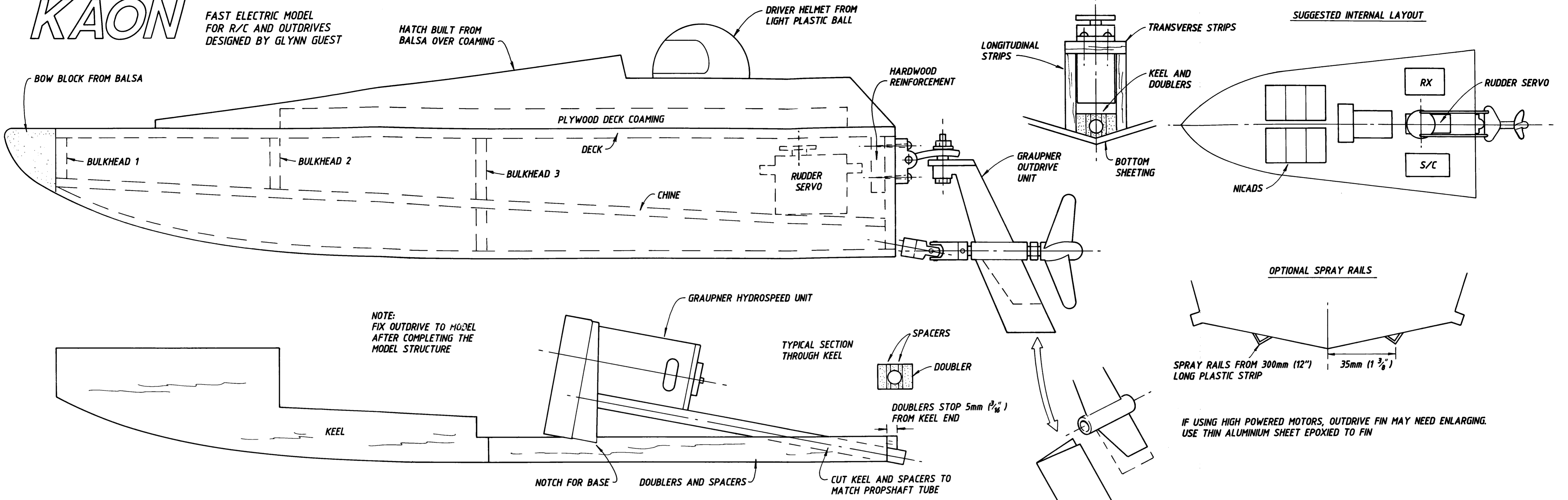
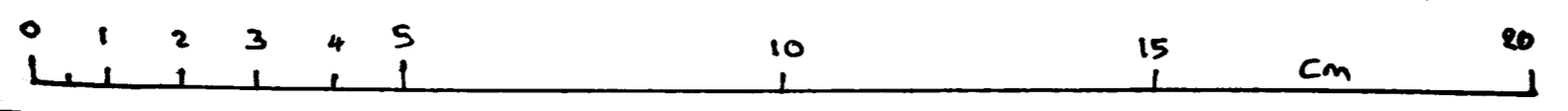
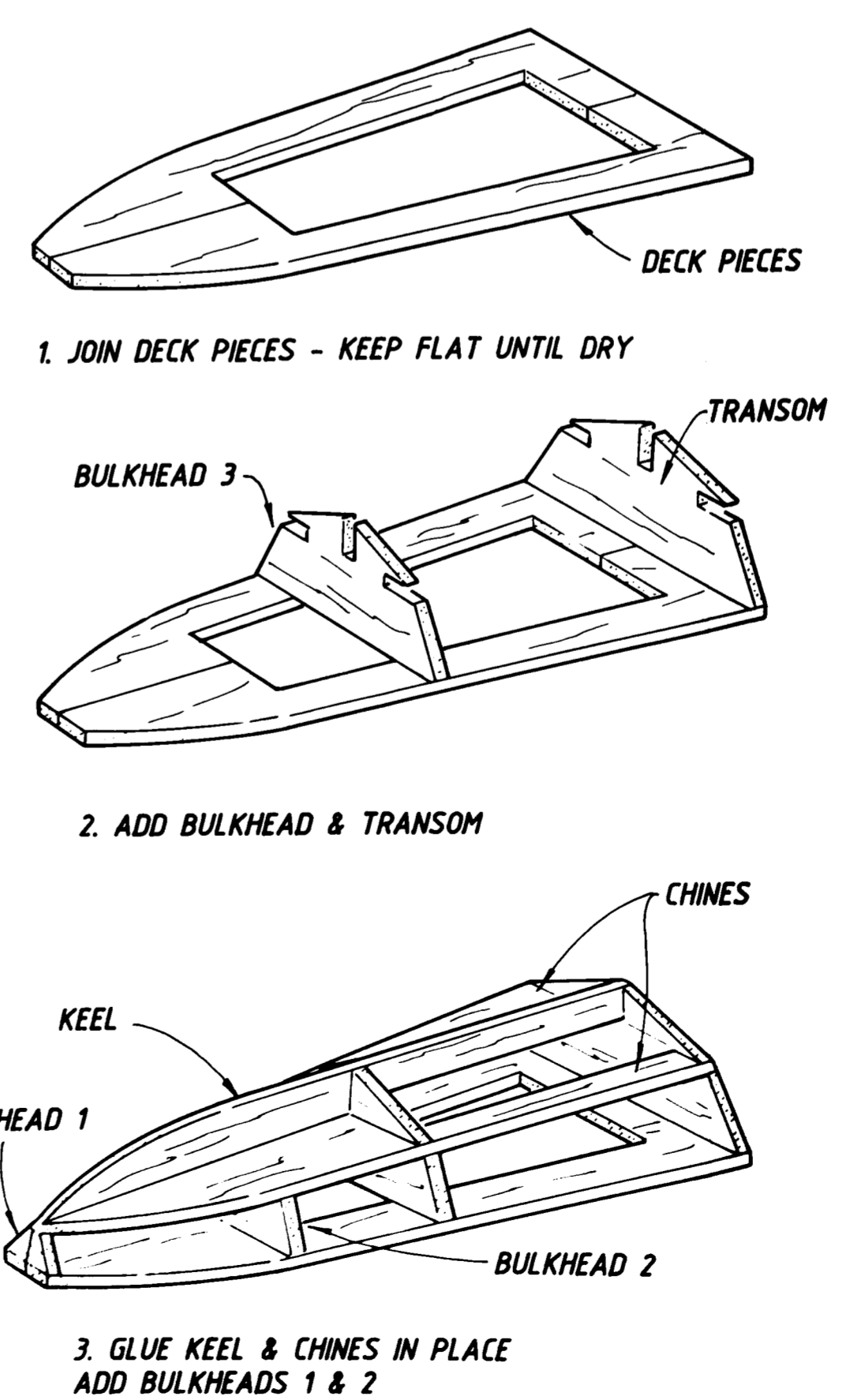


KAON

FAST ELECTRIC MODEL FOR R/C AND OUTDRIVES
DESIGNED BY GLYNN GUEST



HULL BUILDING SEQUENCE



HULL SHEETING SEQUENCE (NOT TO SCALE)

