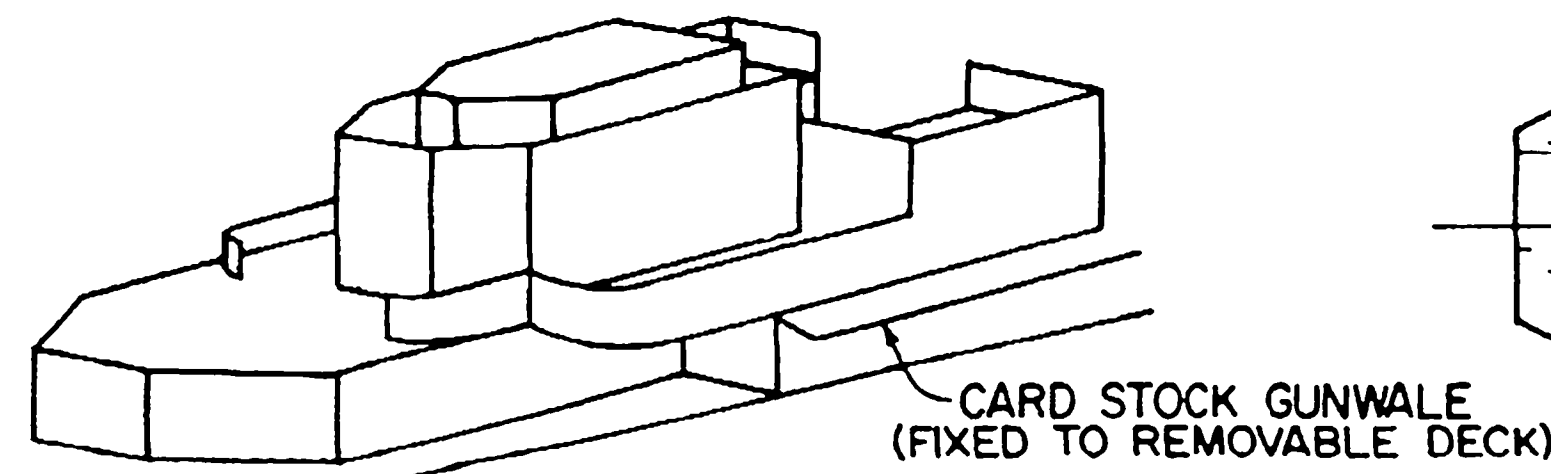
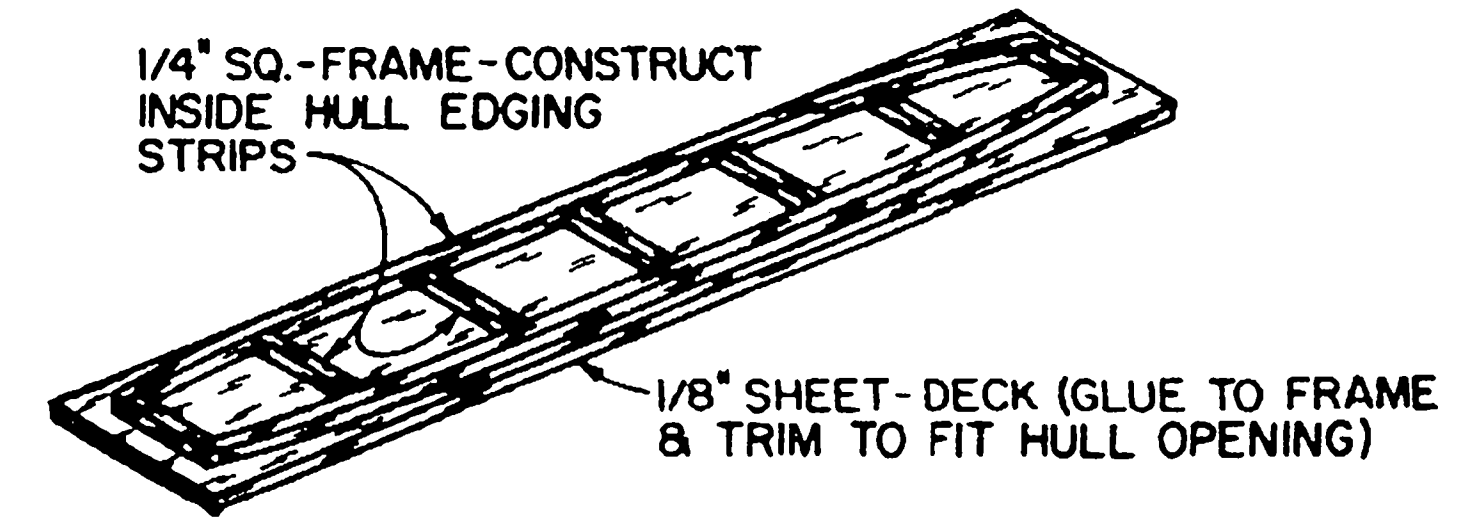
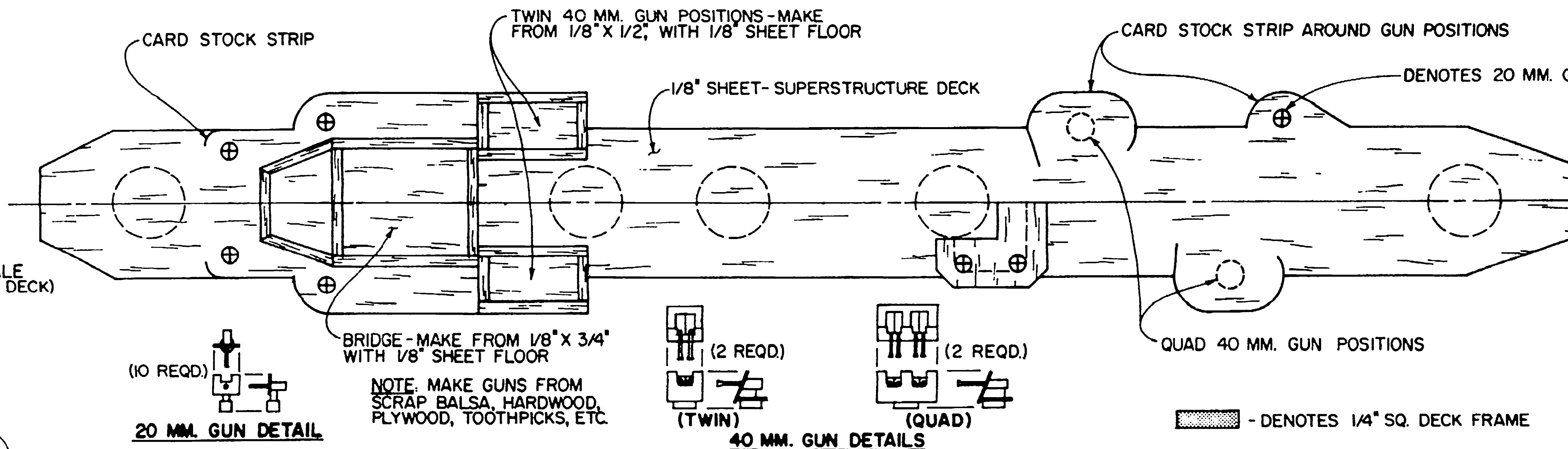


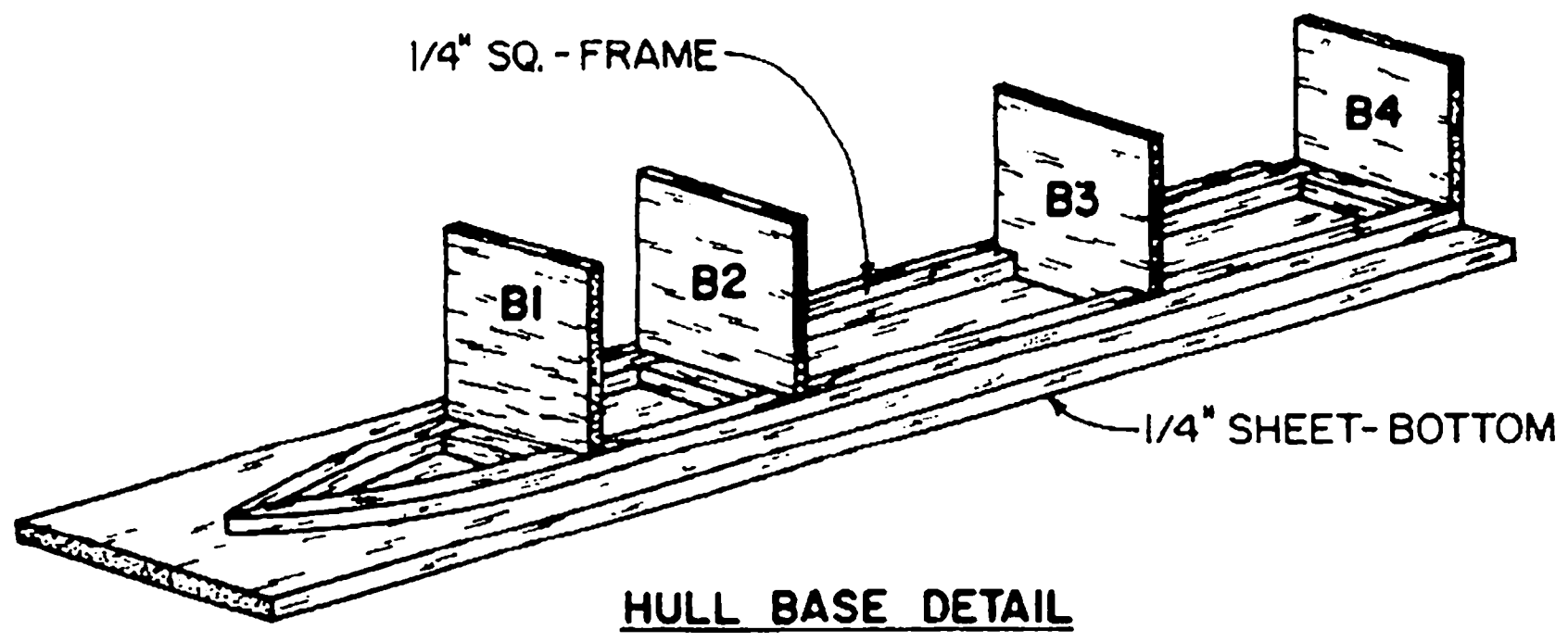
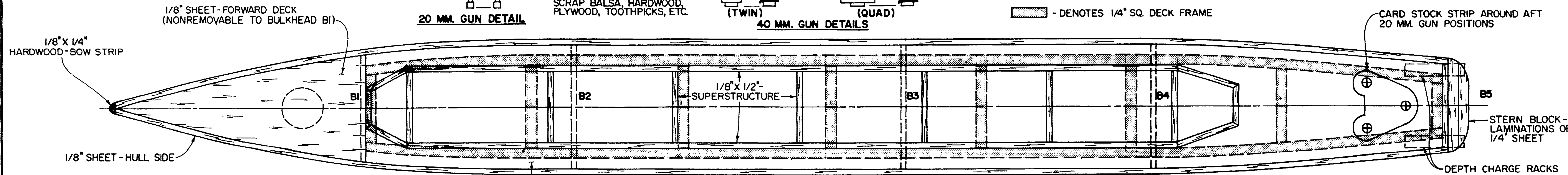
NOTE USE OF "CARD STOCK" FACINGS



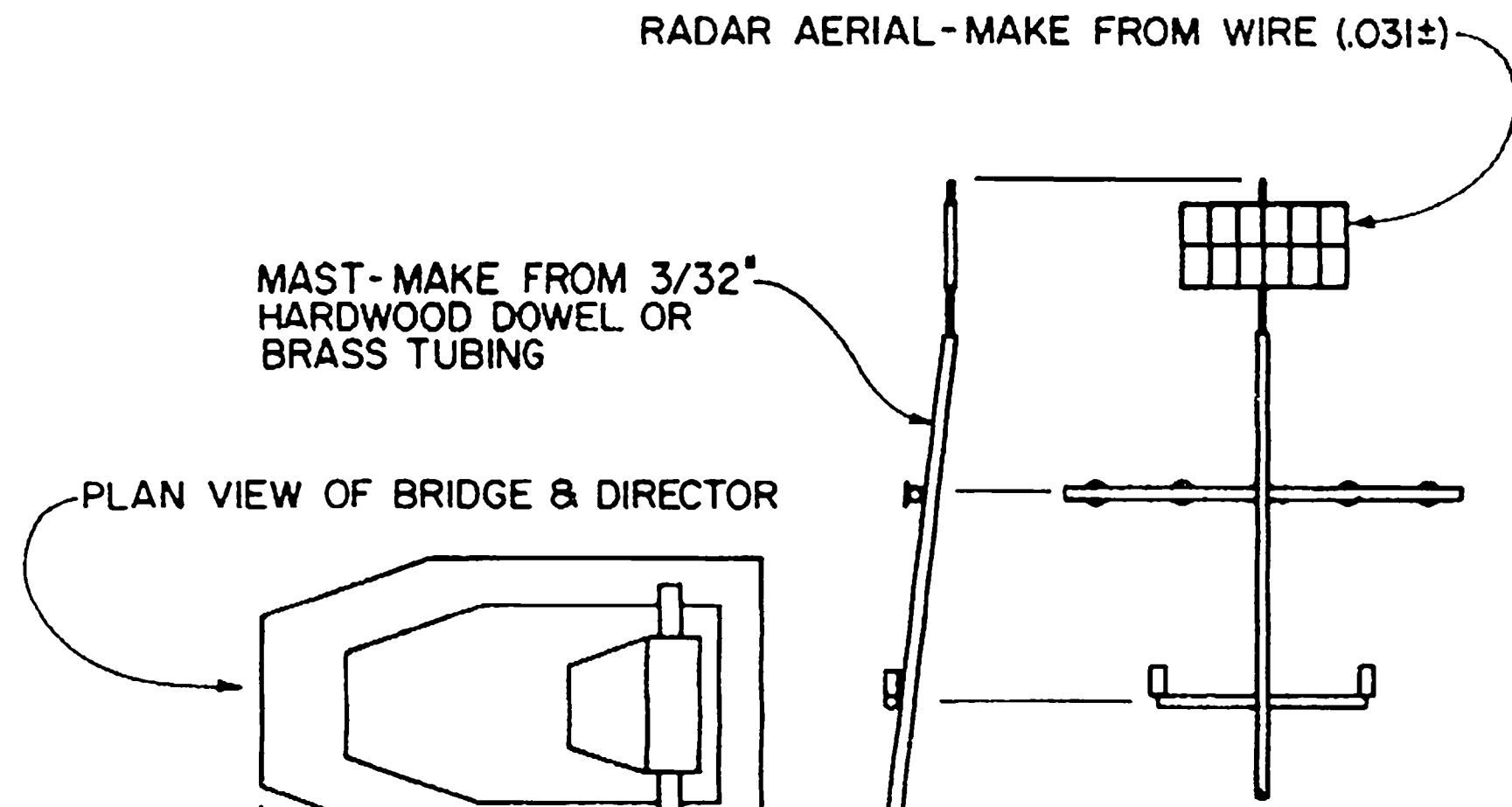
SKETCH OF BRIDGE & GUN POSITIONS



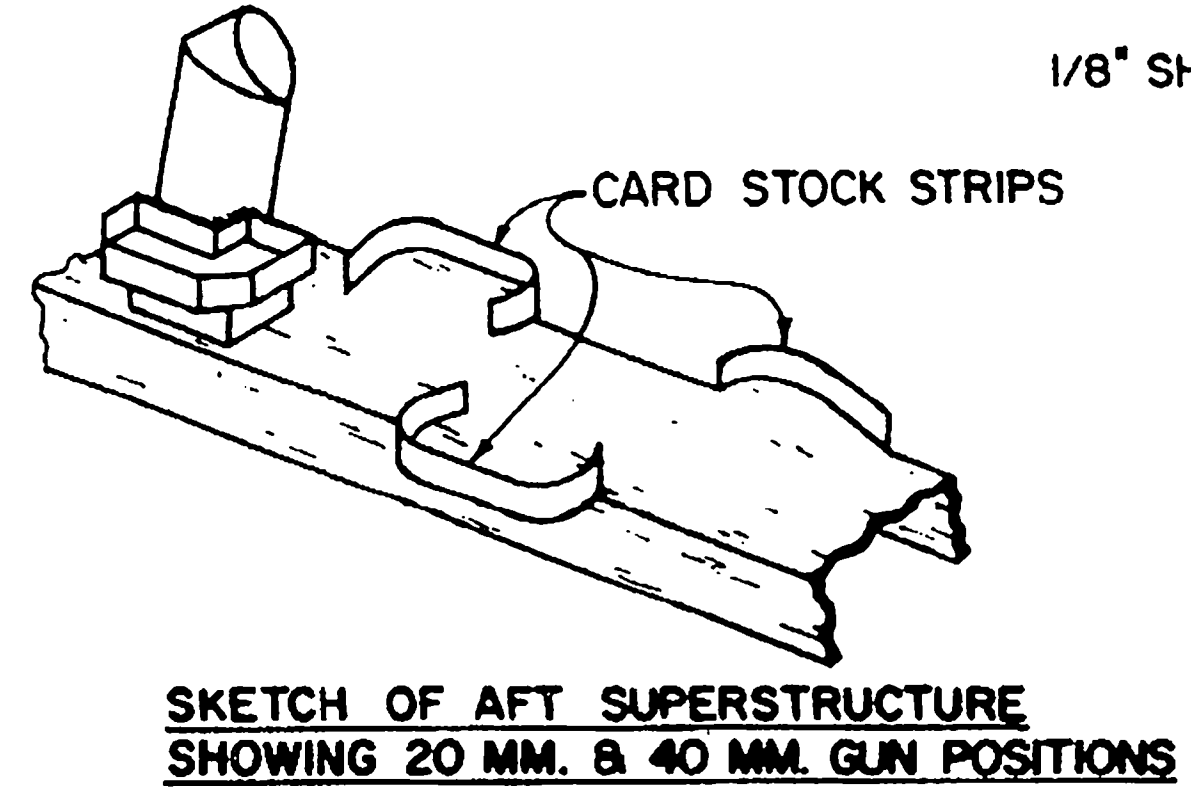
DECK ALIGNMENT FRAME DETAIL



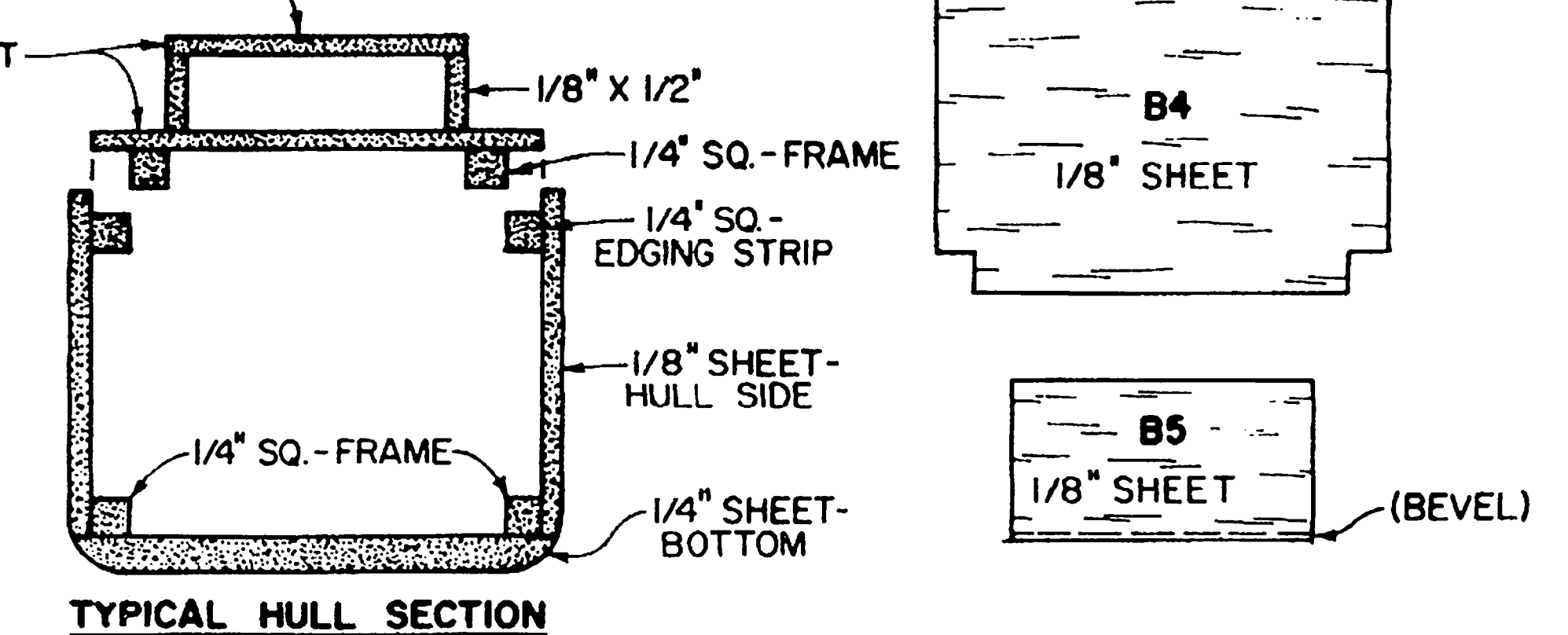
HULL BASE DETAIL



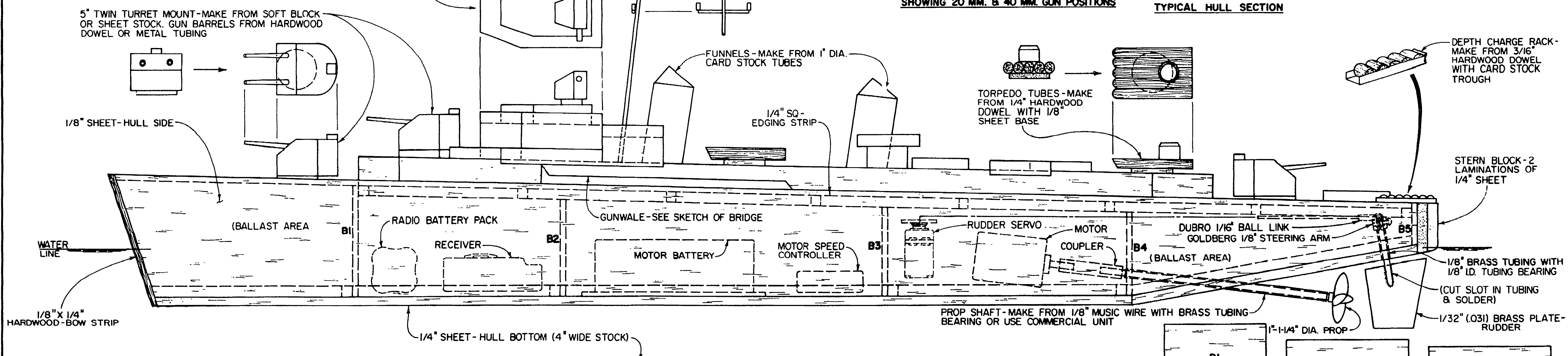
PLAN VIEW OF BRIDGE & DIRECTOR



SKETCH OF AFT SUPERSTRUCTURE SHOWING 20 MM. & 40 MM. GUN POSITIONS



TYPICAL HULL SECTION



FINISHING COLORS

HULL & SUPERSTRUCTURE - MEDIUM GRAY
HULL BELOW WATERLINE - BLACK
DECKS - DARK GRAY

NOTE: ALL WOOD IS BALSA, UNLESS NOTED OTHERWISE.

©RCM ALL COMMERCIAL RIGHTS RESERVED

USS HANLEY

A SEMISCALE ELECTRIC POWERED DESTROYER

DESIGNED BY: GLYNN GUEST
PLANS BY: Bob Wallace