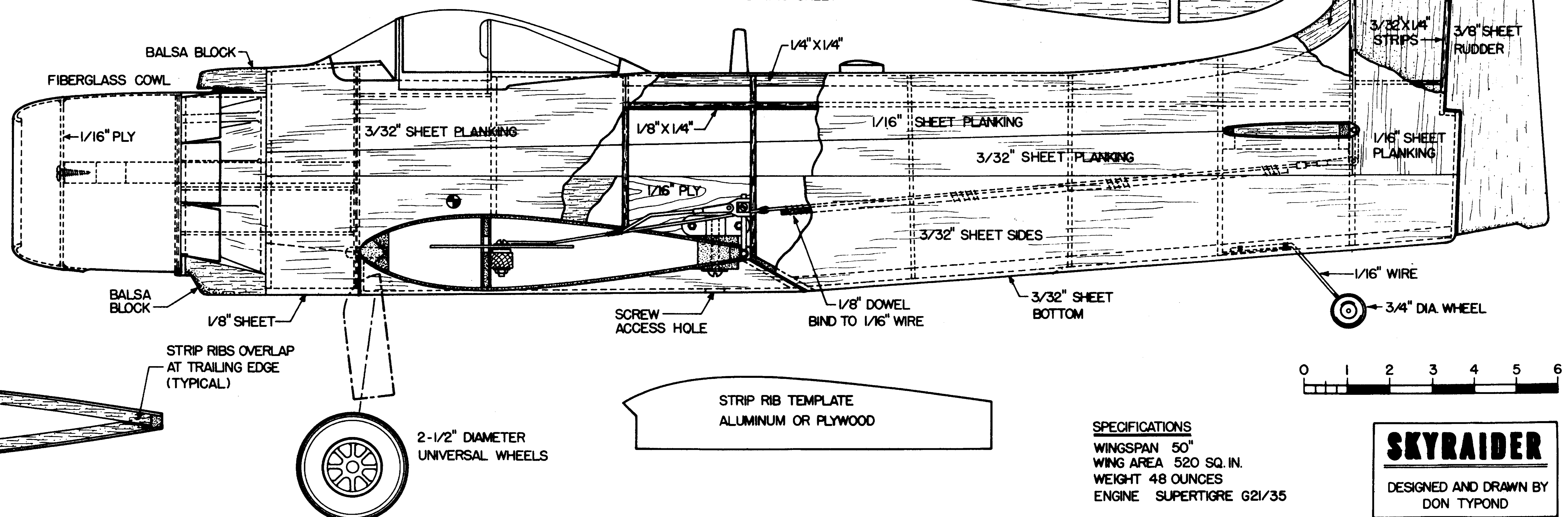
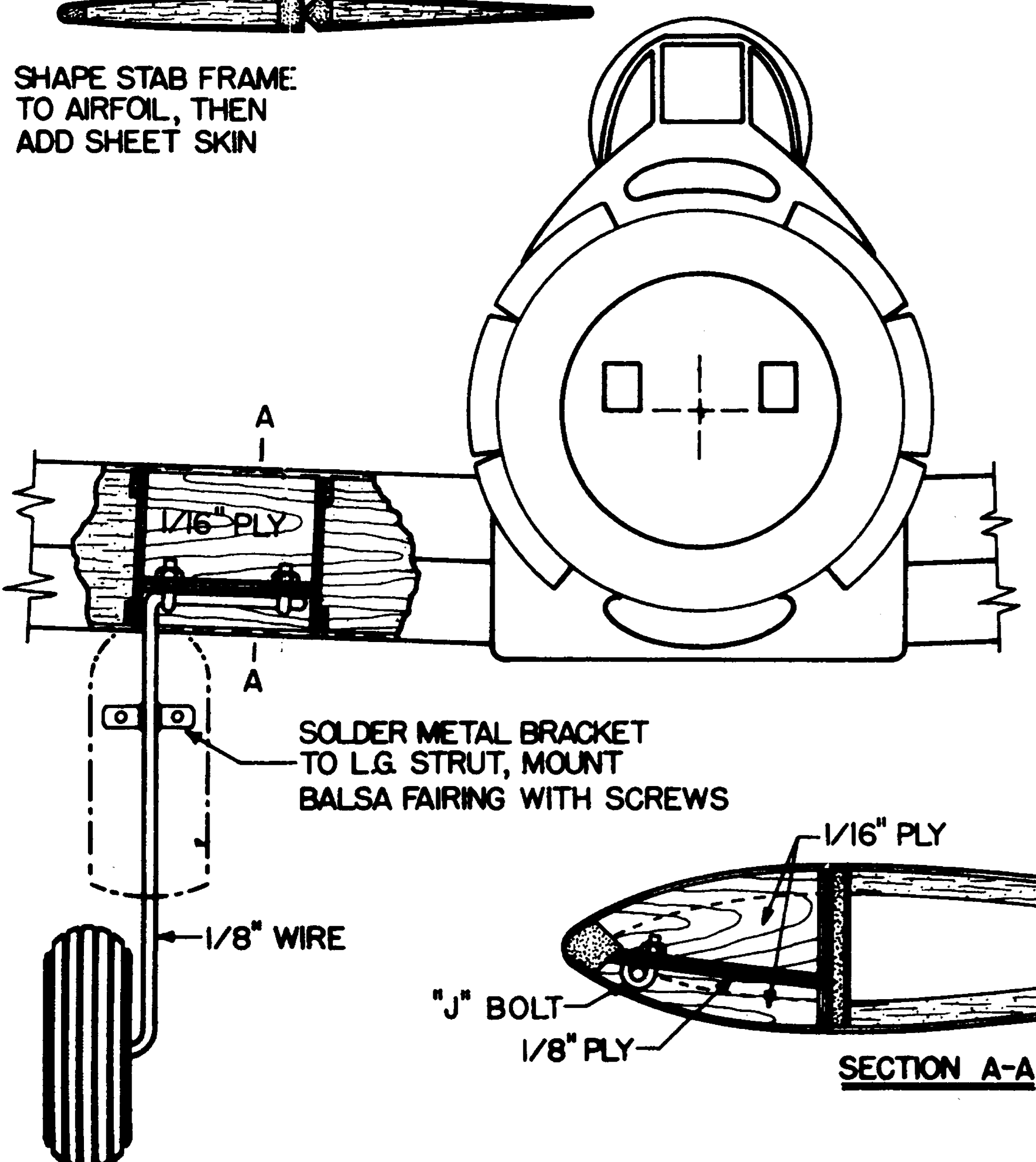


NOTE: F-1 THROUGH F-6 1/8" SHEET  
F-7 THROUGH F-10 3/32" SHEET



SPECIFICATIONS  
WINGSPAN 50"  
WING AREA 520 SQ. IN.  
WEIGHT 48 OUNCES  
ENGINE SUPERTIGRE G21/35

**SKYRAIDER**  
DESIGNED AND DRAWN BY  
DON TYPOND

