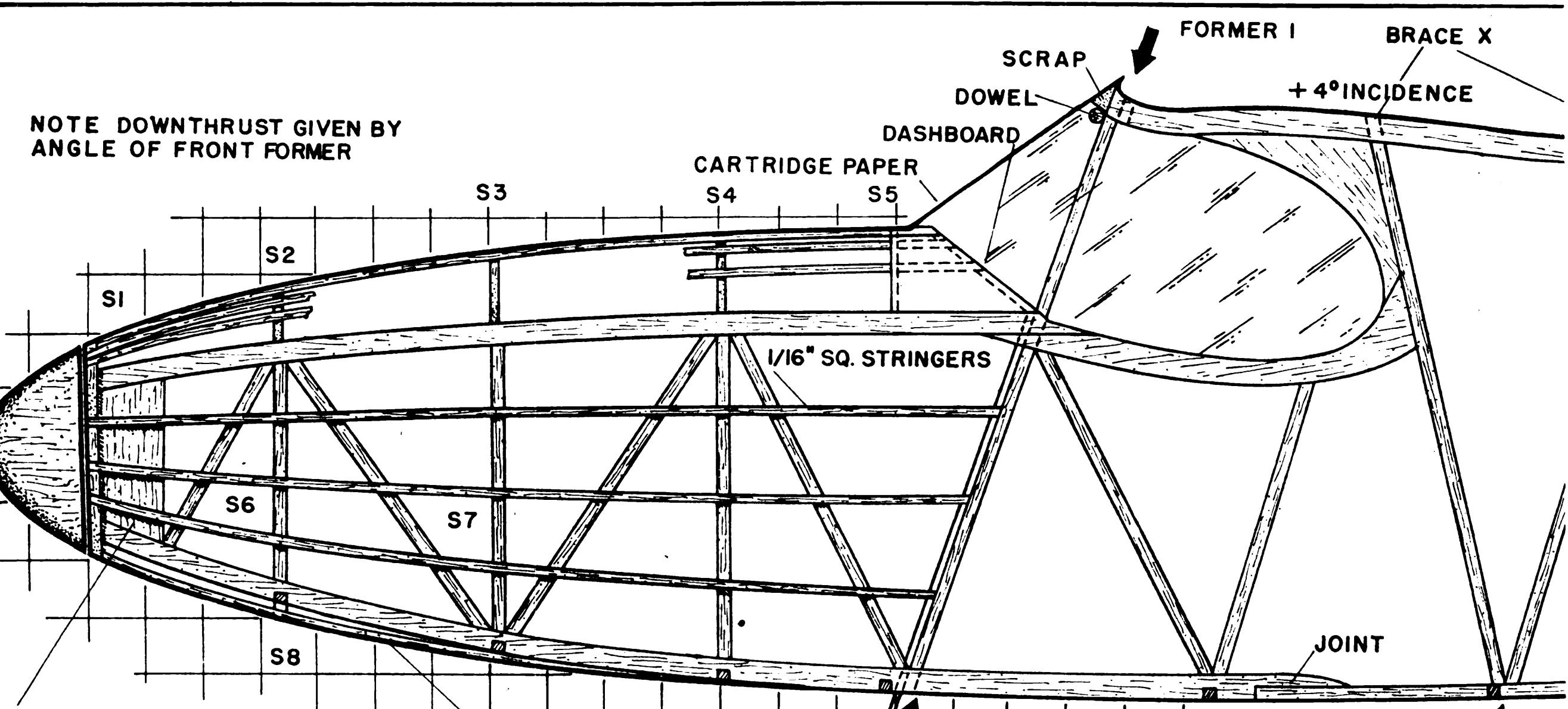
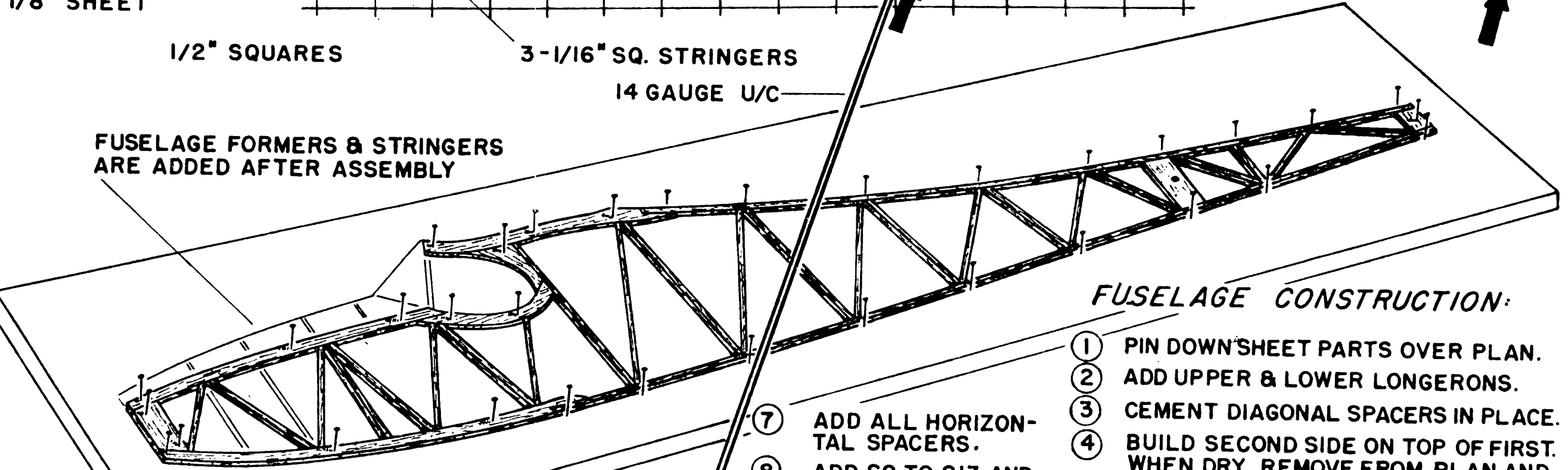


NOTE DOWNTHRUST GIVEN BY ANGLE OF FRONT FORMER



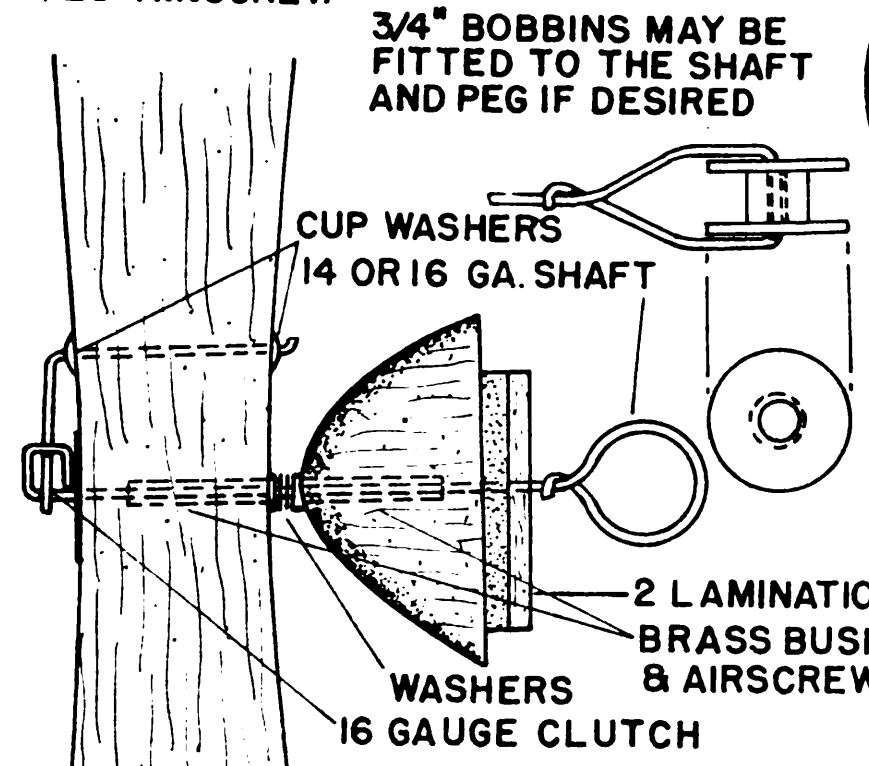
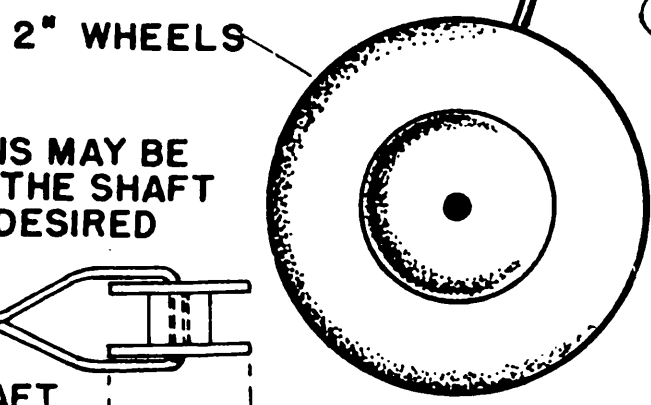
FUSELAGE FORMERS & STRINGERS ARE ADDED AFTER ASSEMBLY



FUSELAGE CONSTRUCTION:

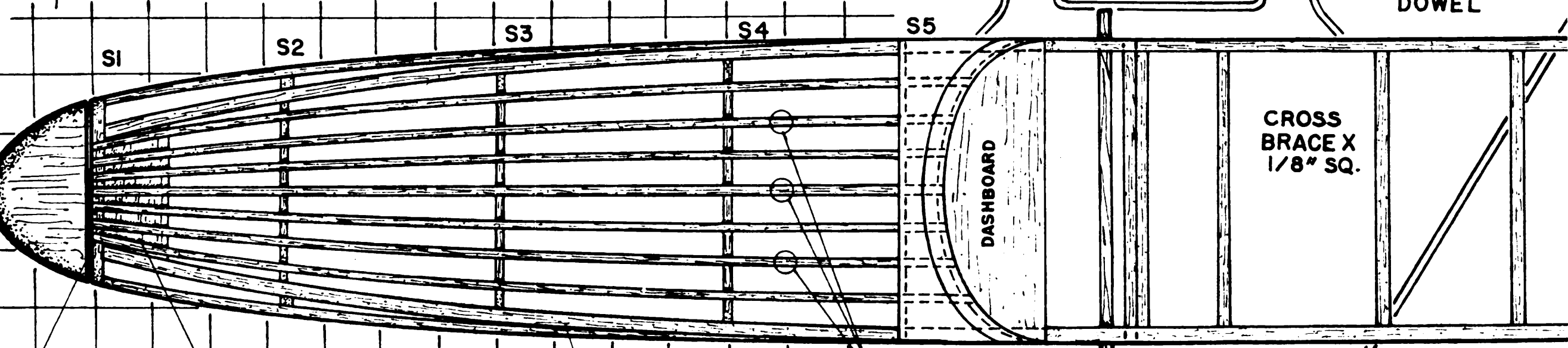
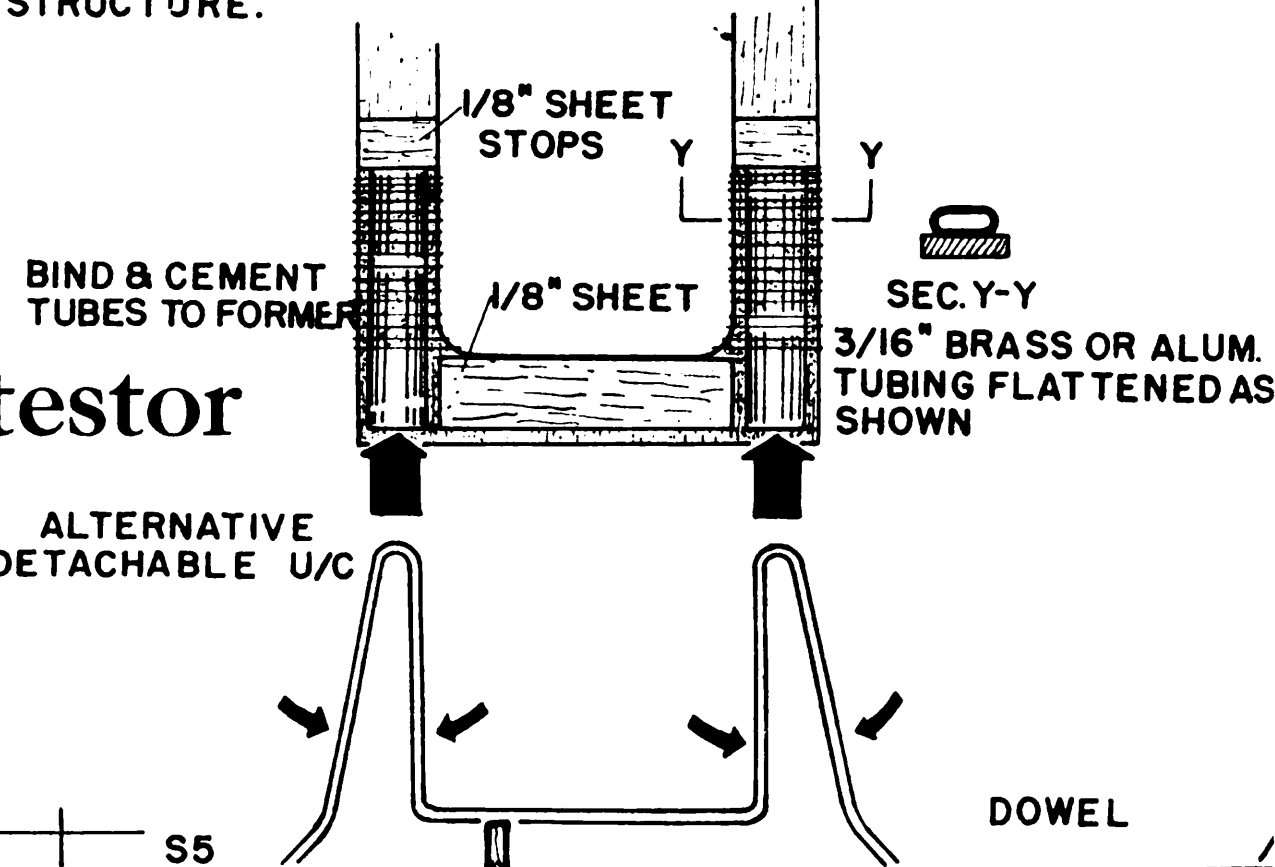
- ① PIN DOWN SHEET PARTS OVER PLAN.
- ② ADD UPPER & LOWER LONGERONS.
- ③ CEMENT DIAGONAL SPACERS IN PLACE.
- ④ BUILD SECOND SIDE ON TOP OF FIRST. WHEN DRY, REMOVE FROM PLAN AND SLICE APART.
- ⑤ TO ASSEMBLE, CEMENT FORMER 1 ON FUSELAGE FRAME, FORMER 2 ON OTHER FRAME. CEMENT AT ANGLE SHOWN IN SIDE VIEW.
- ⑥ JOIN TWO FRAMES.
- ⑦ ADD ALL HORIZONTAL SPACERS.
- ⑧ ADD S9 TO S13 AND 1/8" SQ. STRINGER.
- ⑨ ADD 1/16" SHEET UNDERFIN SUPPORT.
- ⑩ ADD NOSE FORMERS & STRINGERS TO COMPLETE BASIC STRUCTURE.

17" SAWCUT OR 18" CARVED AIRSCREW



The Contestor

Plate 1 ALTERNATIVE DETACHABLE U/C



7 STRINGERS ON TOP OF FUSELAGE

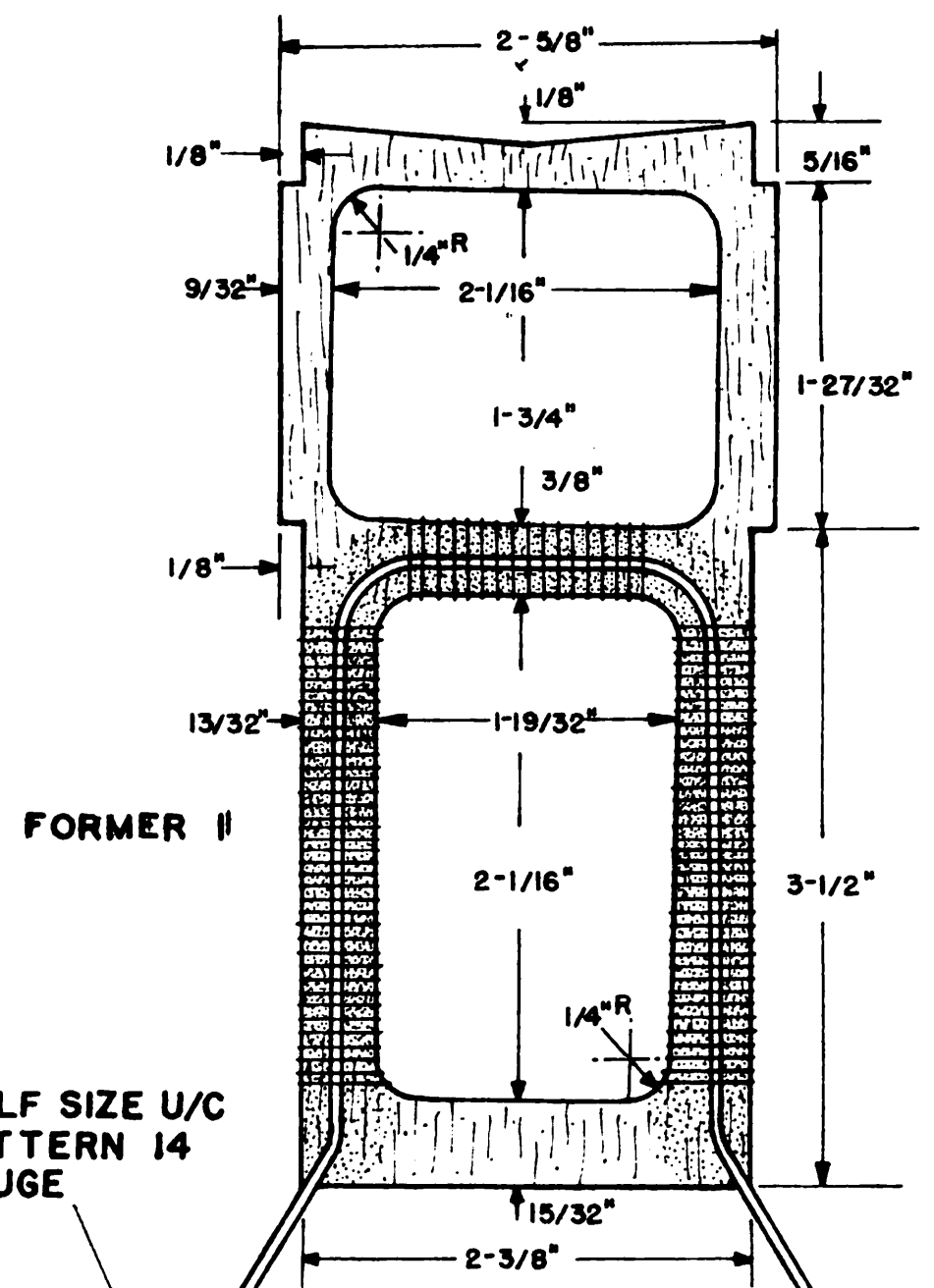
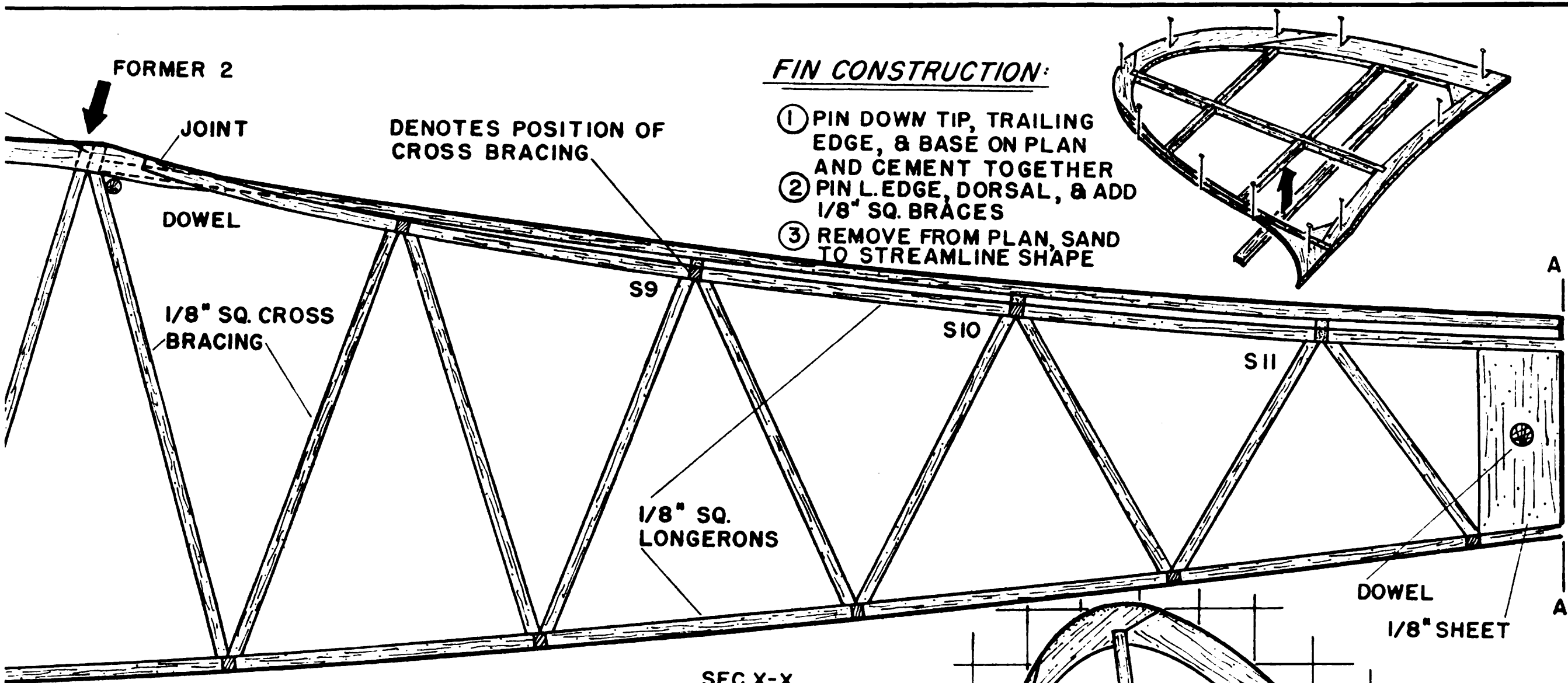
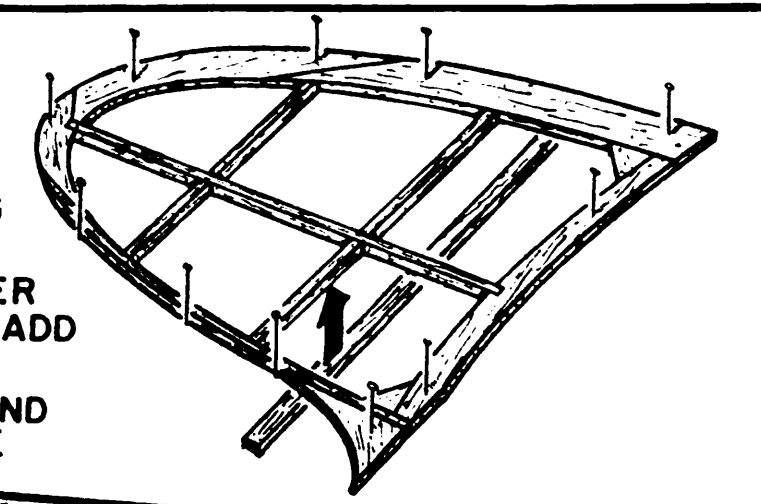
1/2" SQUARES

3 STRINGERS ONLY, ON UNDERSIDE OF NOSE (UP TO S5)

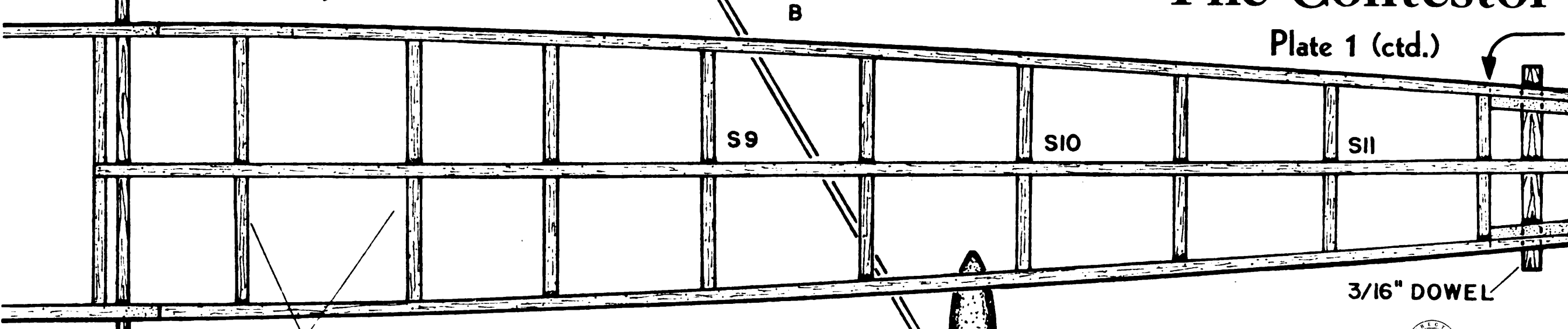
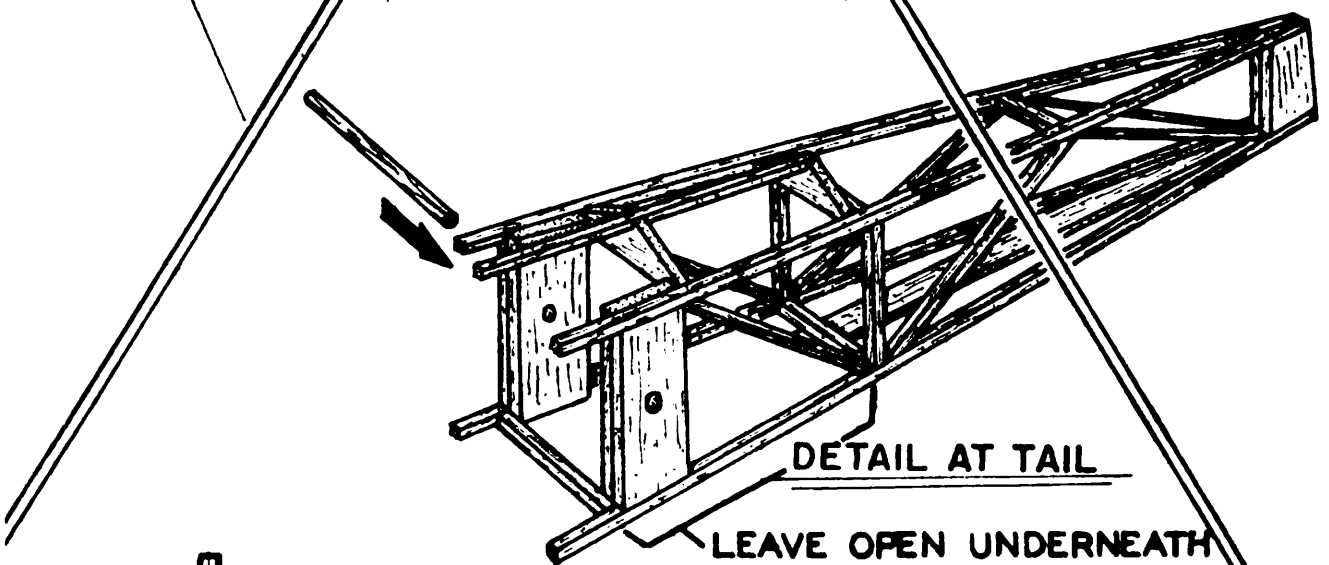
INCREASE U/C LENGTH BY 1/2" FOR 18" CARVED AIRSCREW

FIN CONSTRUCTION:

- ① PIN DOWN TIP, TRAILING EDGE, & BASE ON PLAN AND CEMENT TOGETHER AND ADD 1/8" SQ. BRACES
- ② PIN L. EDGE, DORSAL, & ADD 1/8" SQ. BRACES
- ③ REMOVE FROM PLAN, SAND TO STREAMLINE SHAPE



HALF SIZE U/C PATTERN 14 GAUGE



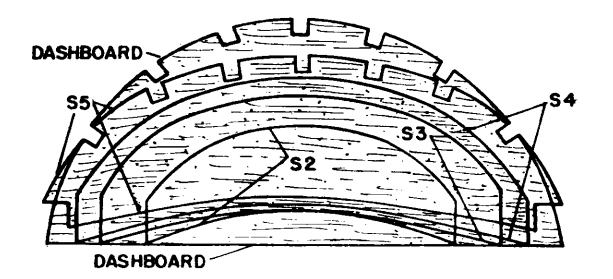
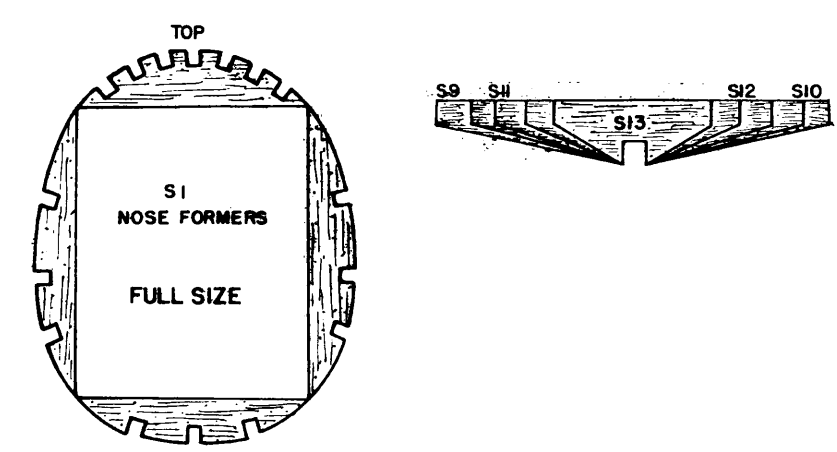
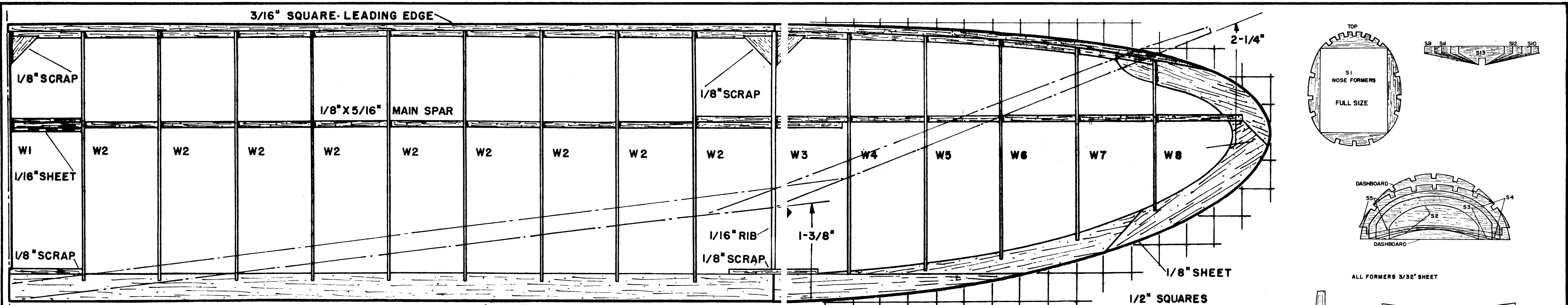
ALL SPACERS - 1/8" SQ.

SOLDER ON WASHER

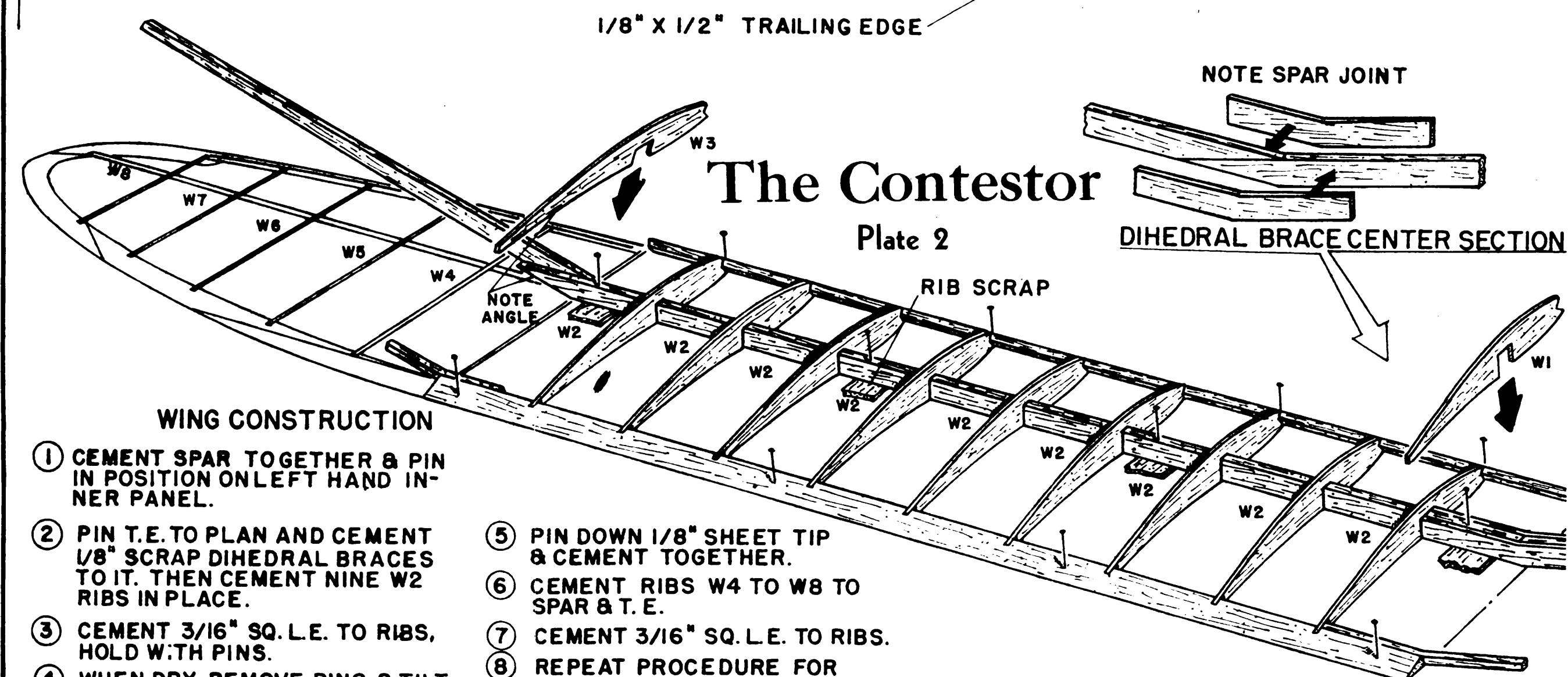
SCALE - ALL HALF SIZE

The Contestor

Plate 1 (ctd.)

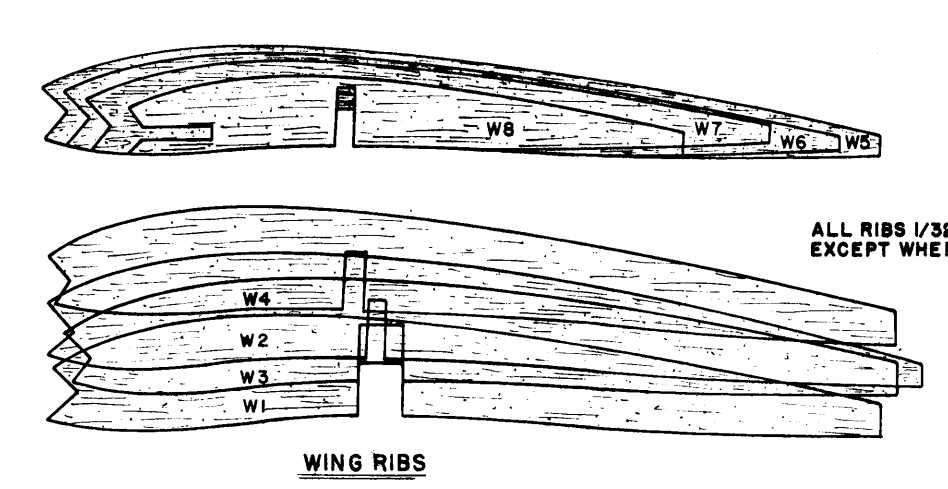
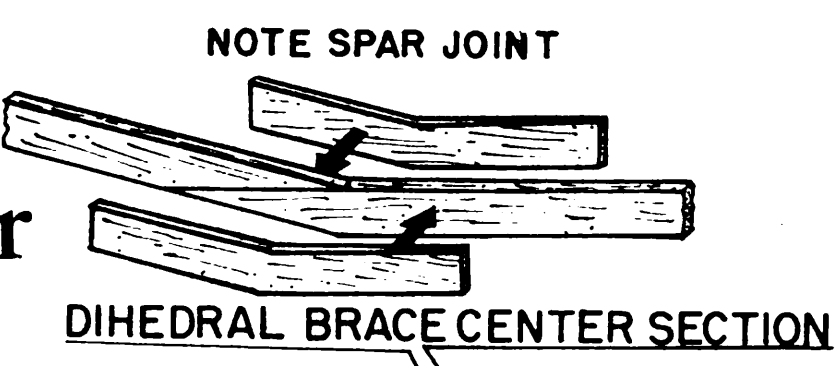


ALL FORMERS 3/32" SHEET



The Contestor

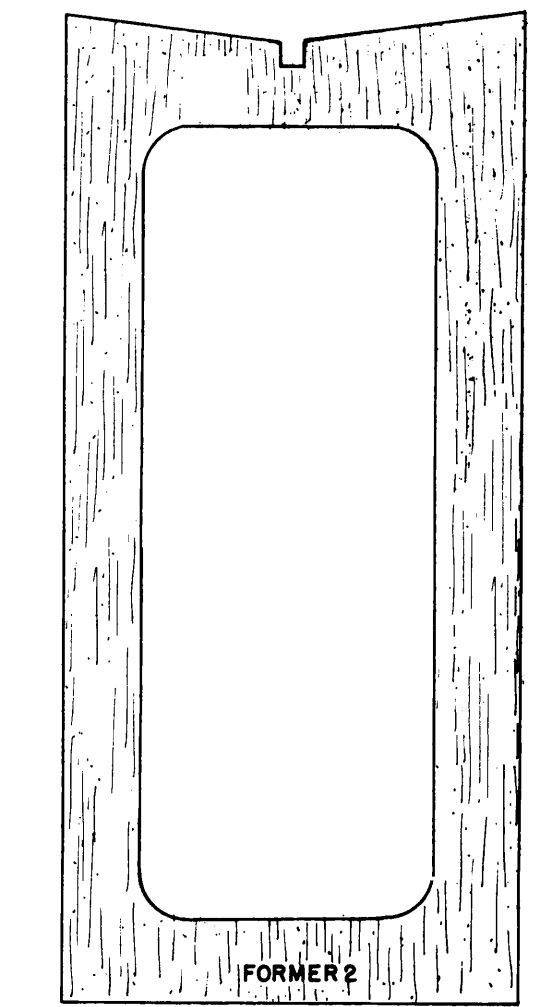
Plate 2



ALL RIBS 1/32" SHEET EXCEPT WHERE NOTED



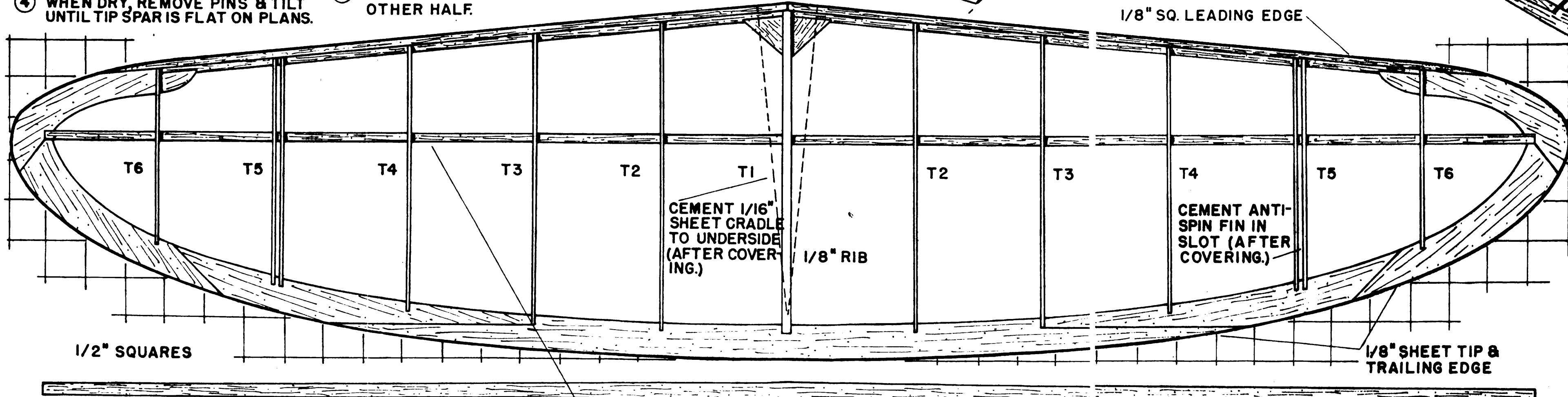
TAILPLANE RIBS



WING CONSTRUCTION

- 1 CEMENT SPAR TOGETHER & PIN IN POSITION ON LEFT HAND INNER PANEL.
- 2 PIN T.E. TO PLAN AND CEMENT 1/8" SCRAP DIHEDRAL BRACES TO IT. THEN CEMENT NINE W2 RIBS IN PLACE.
- 3 CEMENT 3/16" SQ. L.E. TO RIBS, HOLD WITH PINS.
- 4 WHEN DRY, REMOVE PINS & TILT UNTIL TIP SPAR IS FLAT ON PLANS.
- 5 PIN DOWN 1/8" SHEET TIP & CEMENT TOGETHER.
- 6 CEMENT RIBS W4 TO W8 TO SPAR & T. E.
- 7 CEMENT 3/16" SQ. L.E. TO RIBS.
- 8 REPEAT PROCEDURE FOR OTHER HALF.

NOTE USE OF PINS IN CONSTRUCTION



TAILPLANE CONSTRUCTION

- 1 PIN DOWN SPAR ON PLAN.
- 2 PIN 1/8" SHEET TRAILING EDGE AND TIP TO PLANS - CEMENT TOGETHER.
- 3 CEMENT ALL RIBS TO SPAR & TRAILING EDGE.
- 4 CEMENT 1/8" SQ. L.E. TO RIBS.

The Contestor

Plate 2 (ctd.)

