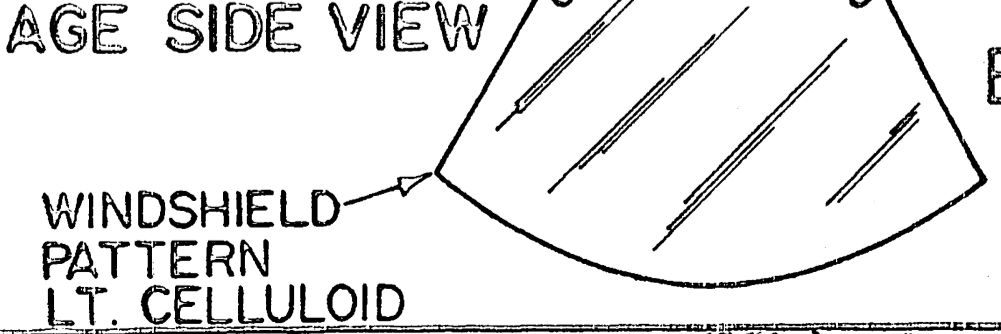
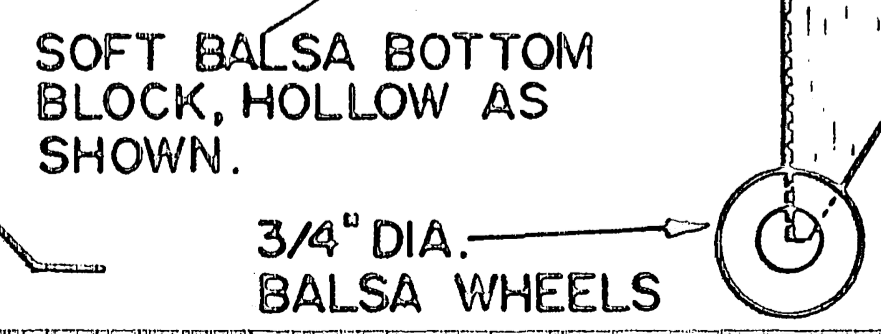
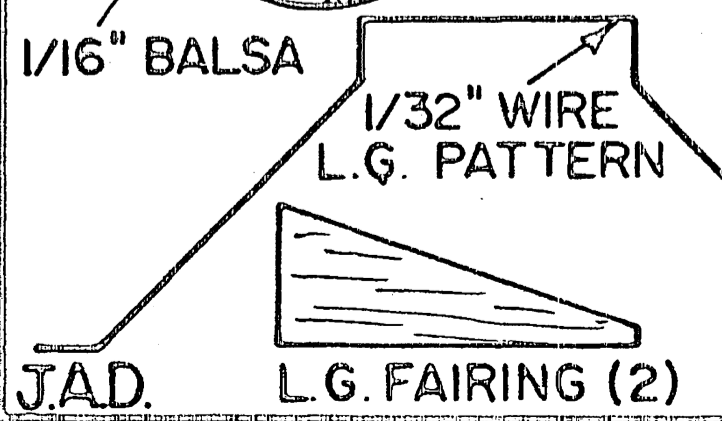
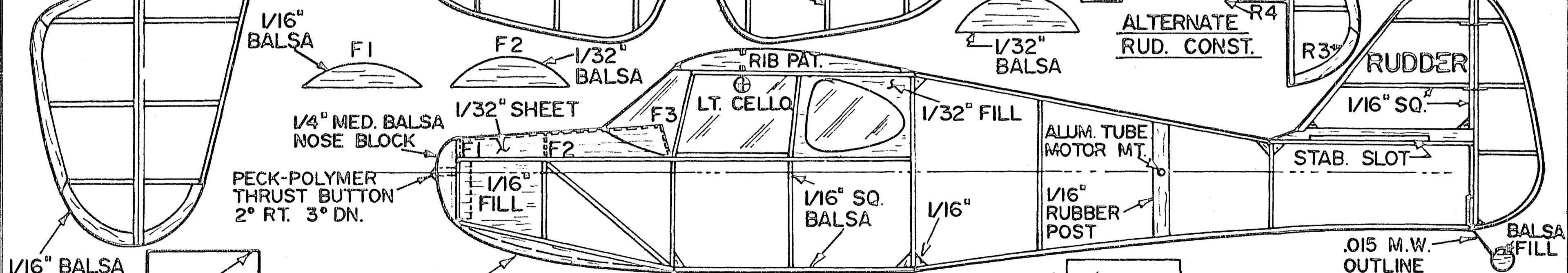
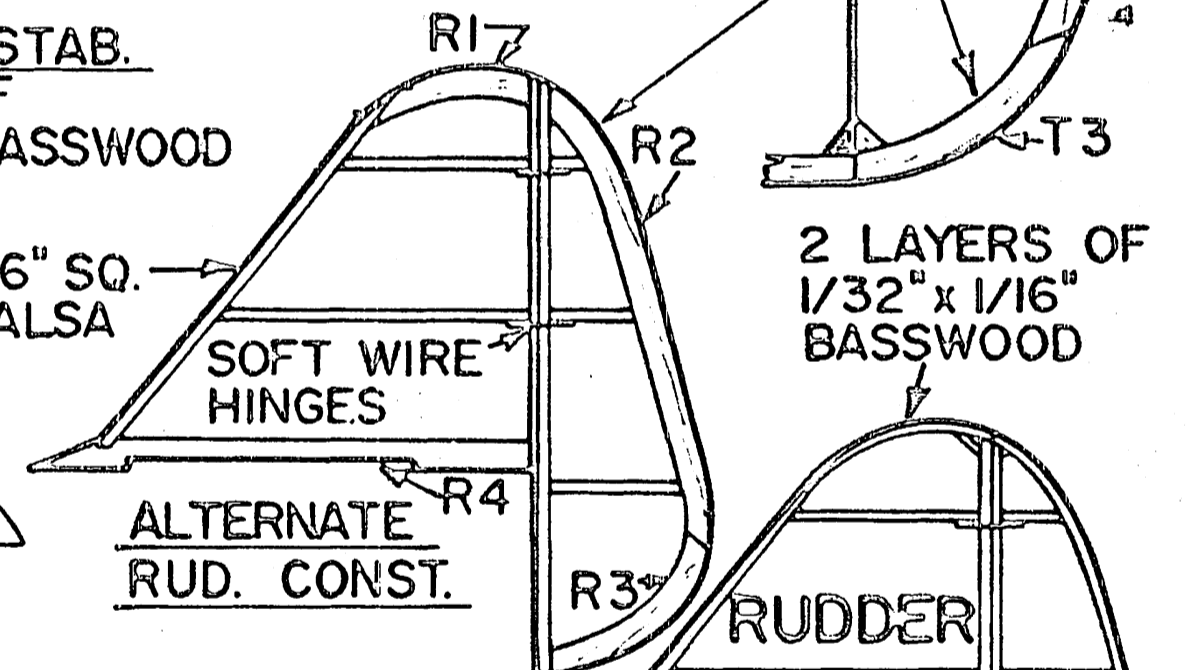
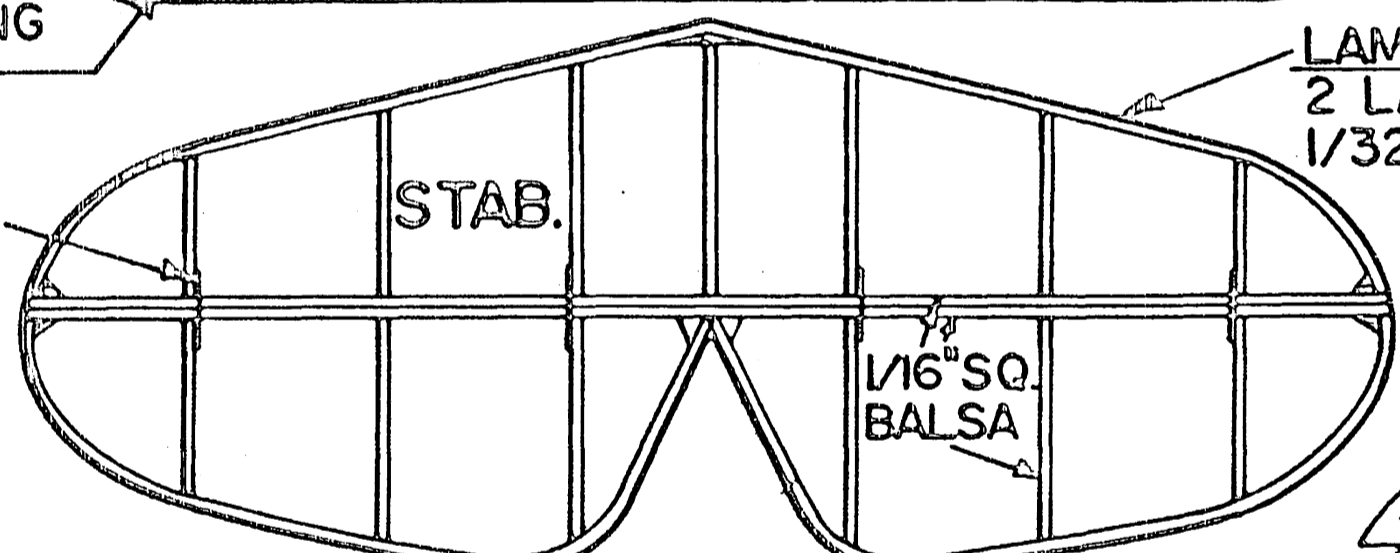
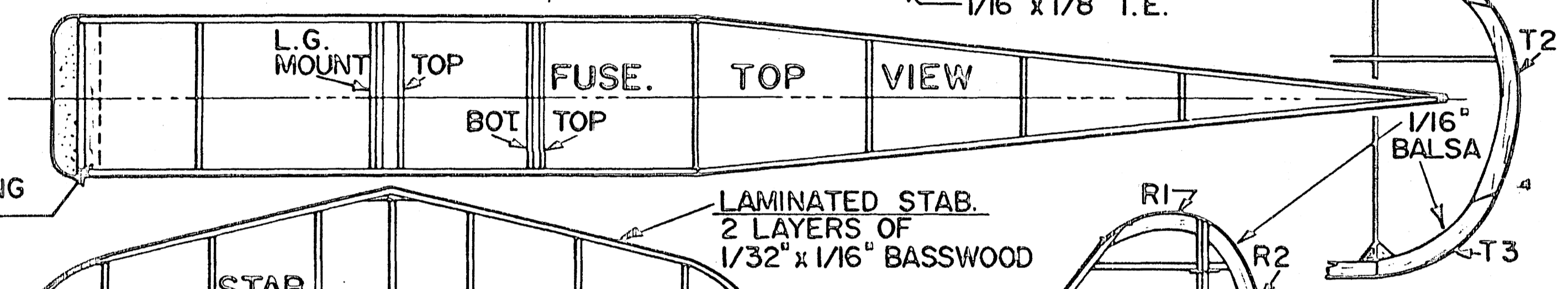
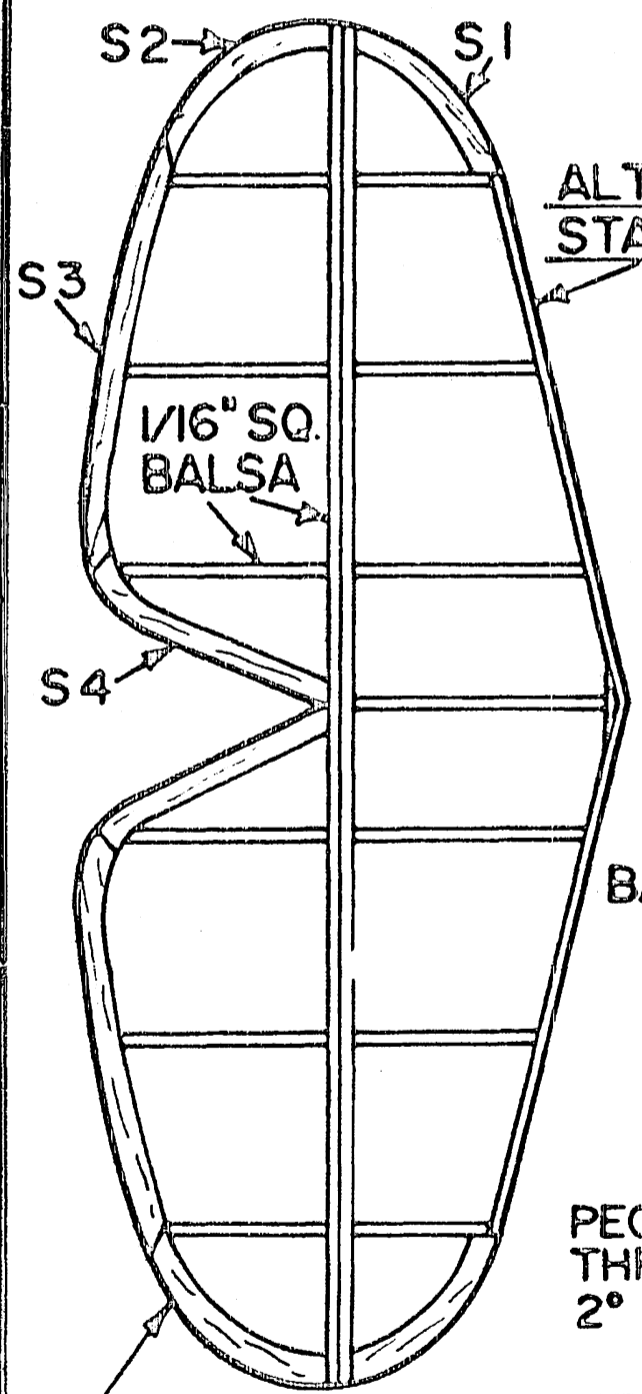
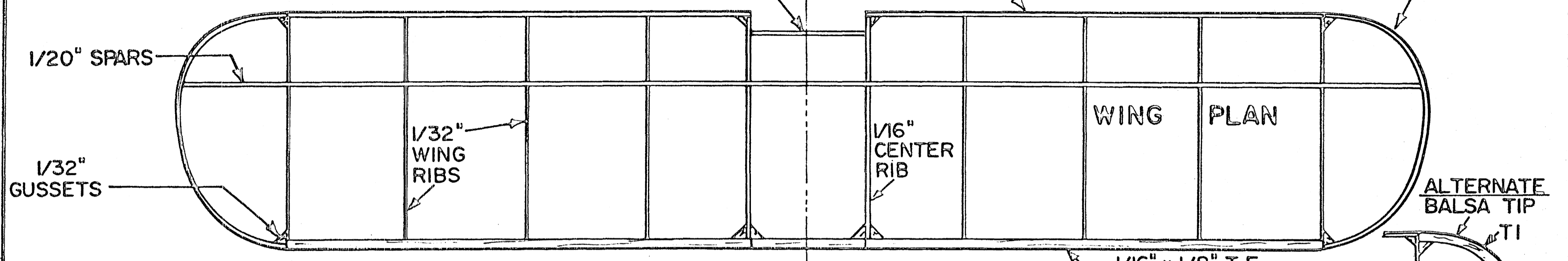


2 CENTER RIBS 1/16"
8 WING RIBS 1/32"
(SEE RIB PATTERN)

WING DIHEDRAL
3/4" UNDER
EACH TIP

FLY WITH A 6" PECK-POLYMER PROP

LAMINATED WING TIP
2 LAYERS OF 1/32" x
1/16" BASSWOOD



BOSTONIAN "T-CRAFT"
FOR BOSTONIAN WEST
RULES - 14 gms
DESIGNED BY L. KRUSE

BCW 02 60114