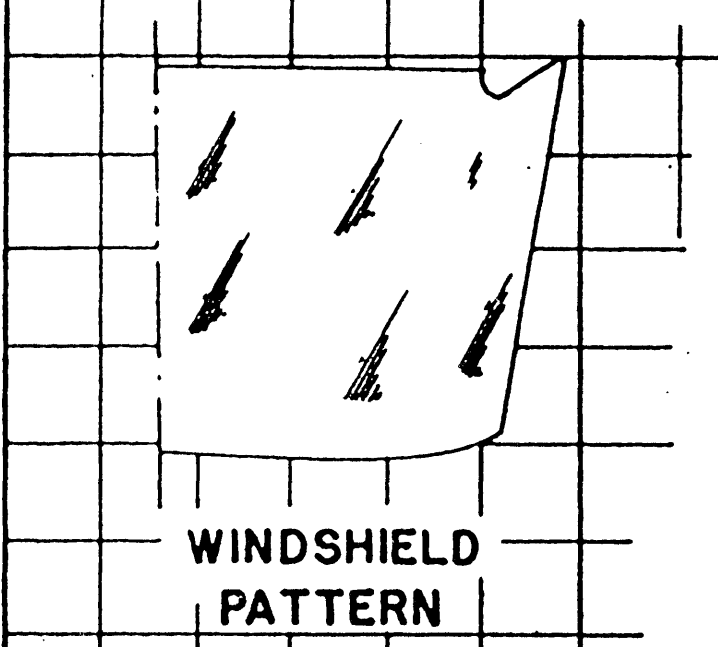
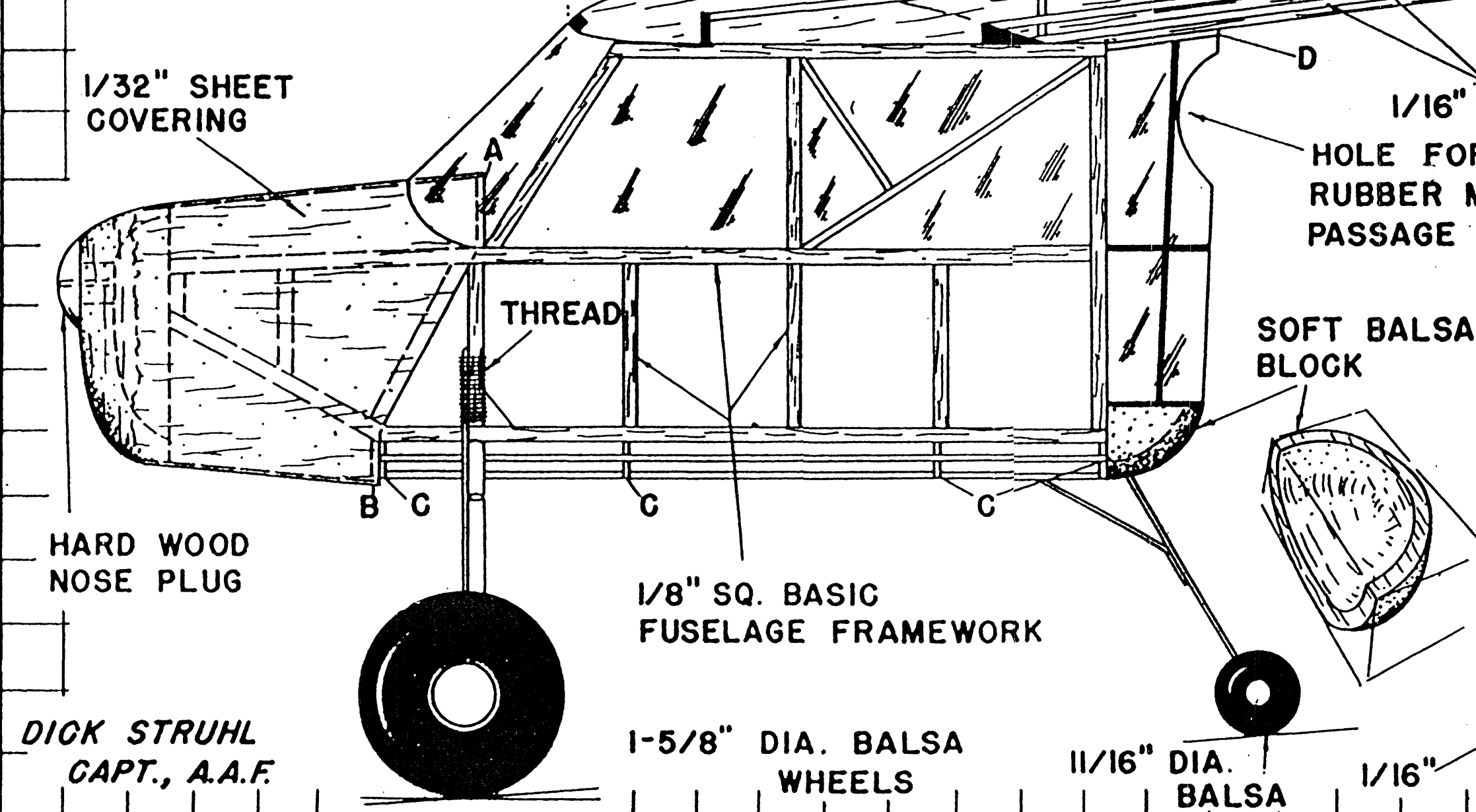


TOP VIEW OF FUSELAGE SHOWN ABOVE  $\phi$   
BOTTOM VIEW SHOWN BELOW  $\phi$



1/2" SQUARES

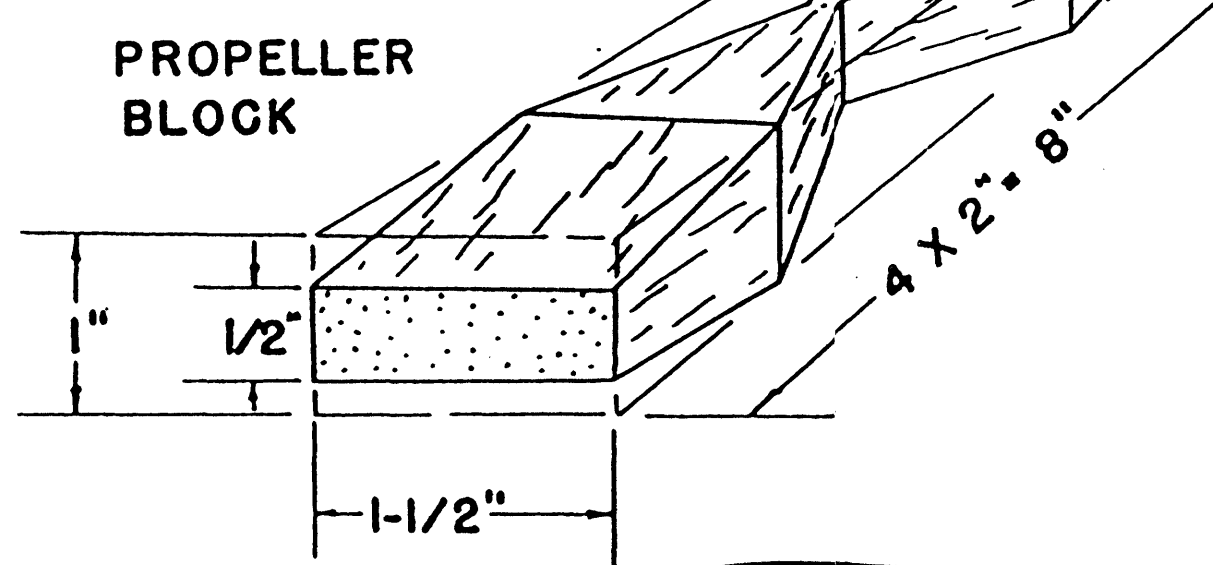
2" DIHEDRAL UNDER EACH WING TIP



DICK STRUHL  
CAPT., A.A.F.

### Boeing L-15A

Plate 2 (ctd.)



NOTE HOW THE TAIL BOOM KEEL INSERTS BETWEEN THE TWO CENTER SECTION RIBS.

### Boeing L-15A

Plate 2

STRINGERS AND SIDE PIECE CUT AWAY TO REVEAL 1/16" SHEET TAIL BOOM KEEL.

