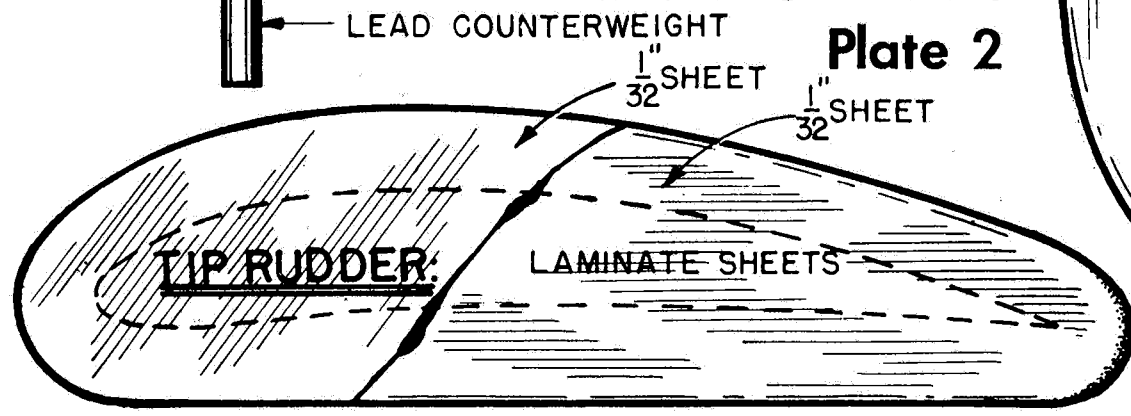
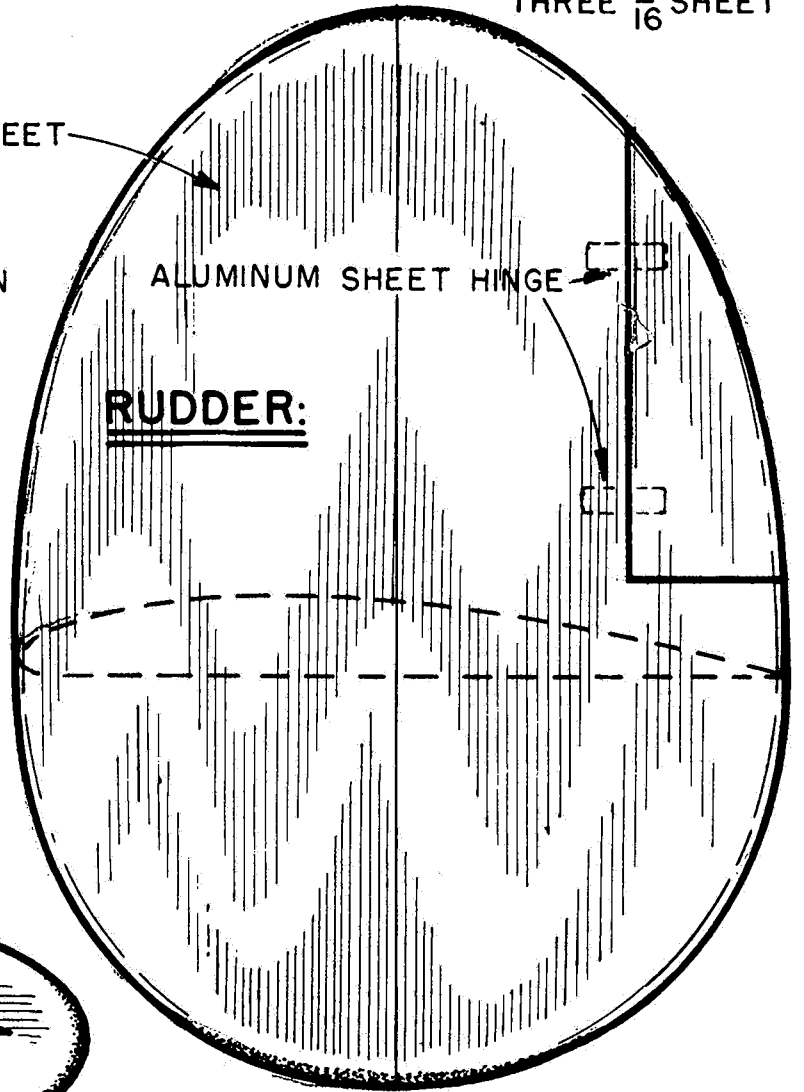
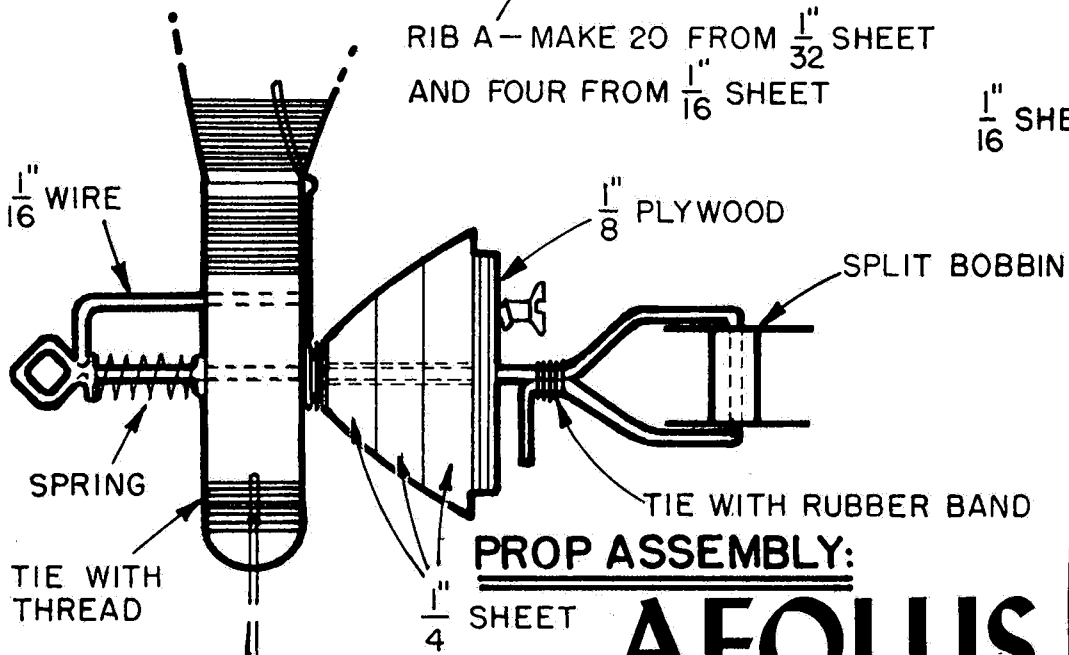


RIB A - MAKE 20 FROM  $\frac{1}{32}$ " SHEET  
AND FOUR FROM  $\frac{1}{16}$ " SHEET



# AEOLUS

## Plate 2

FULL-SIZE PARTS

AJP