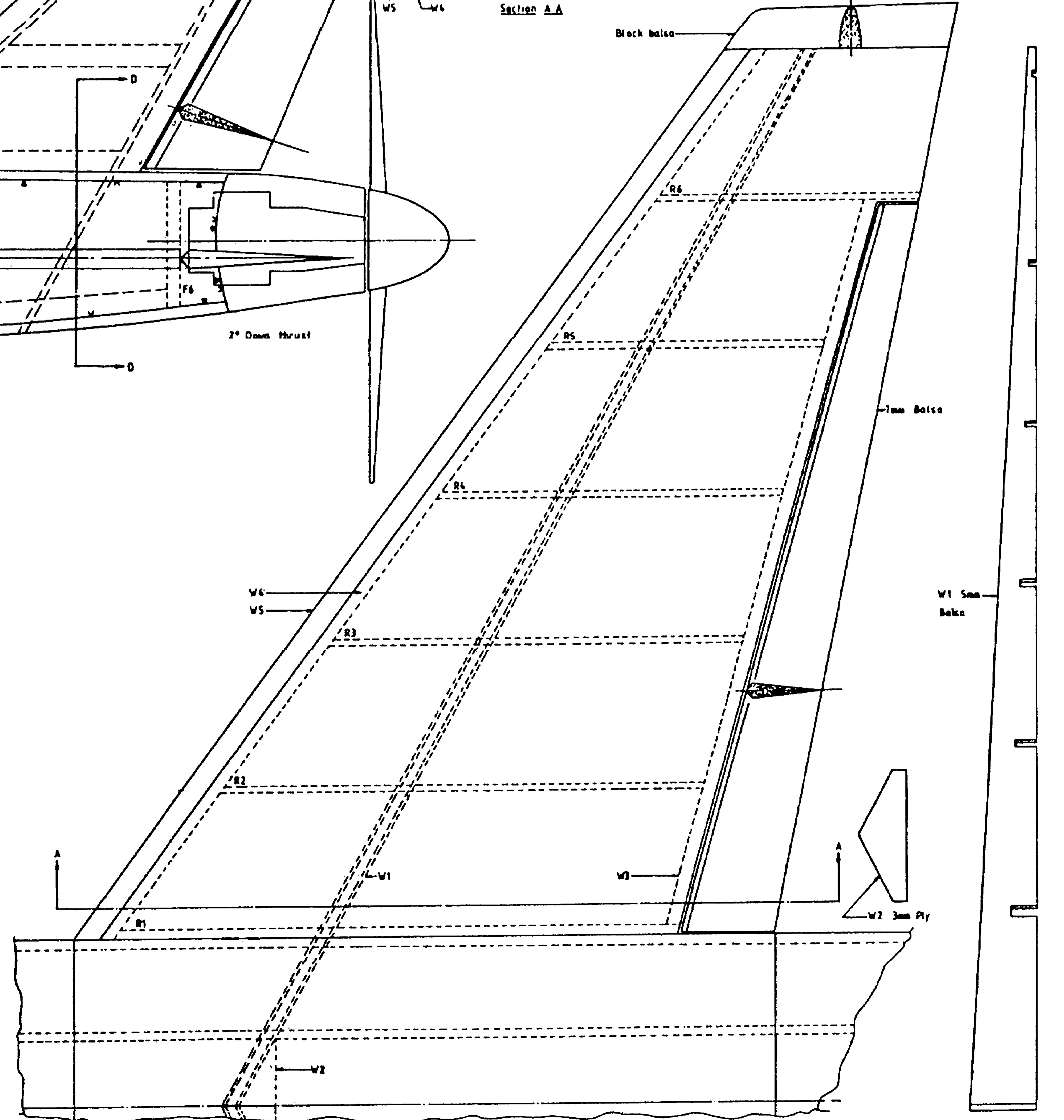
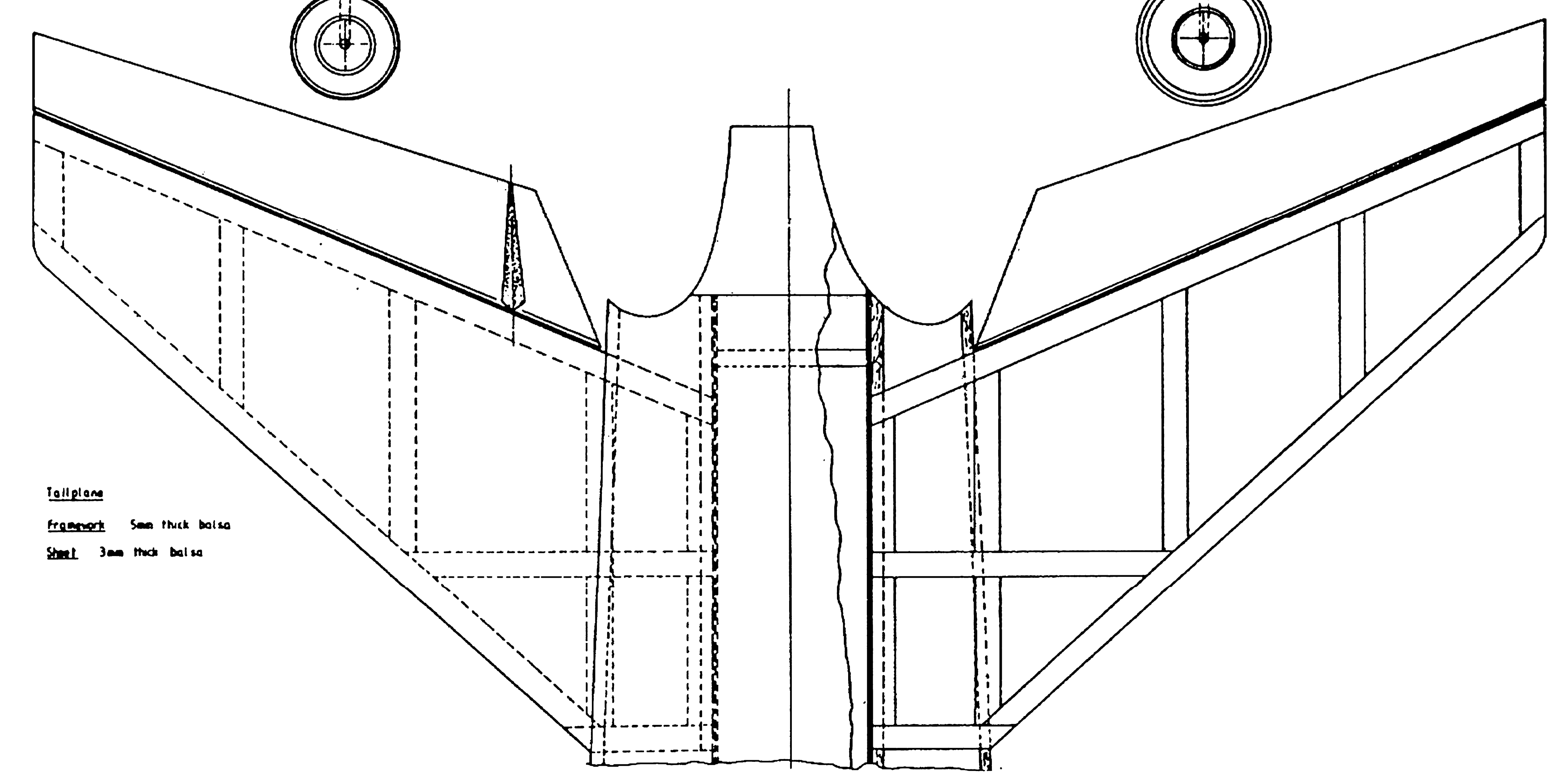
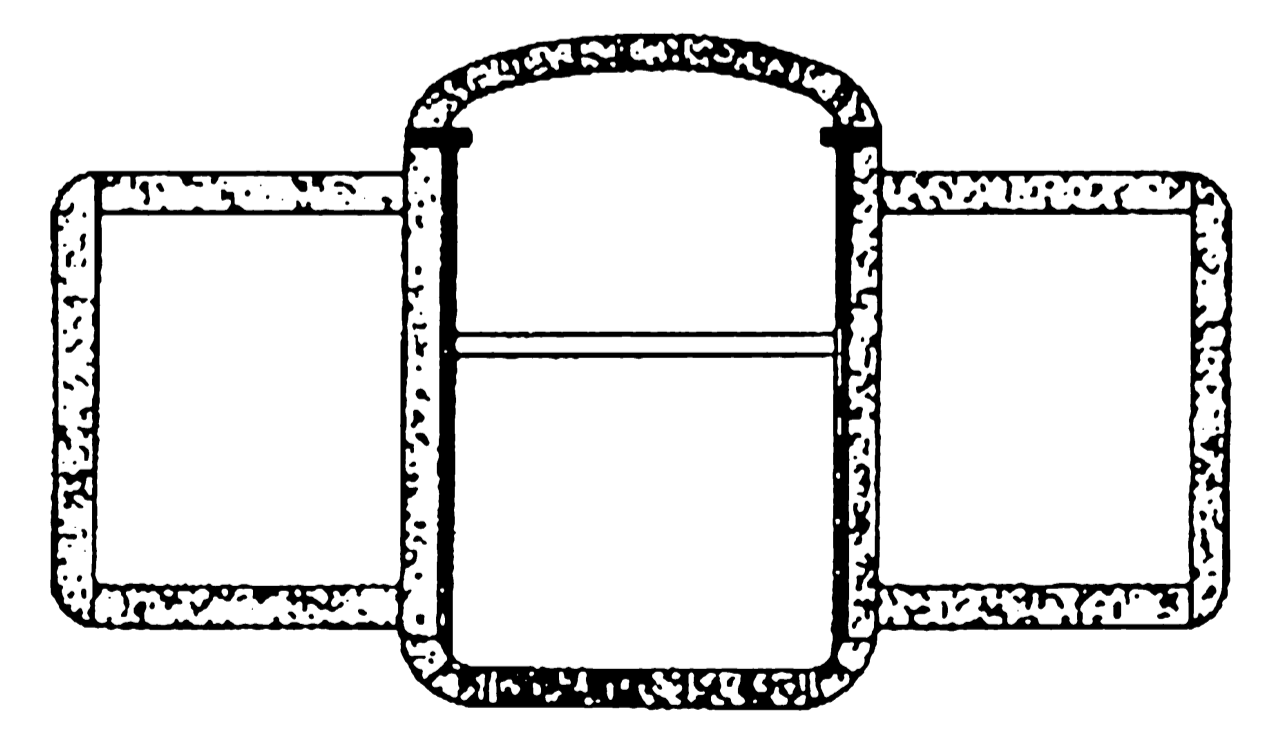
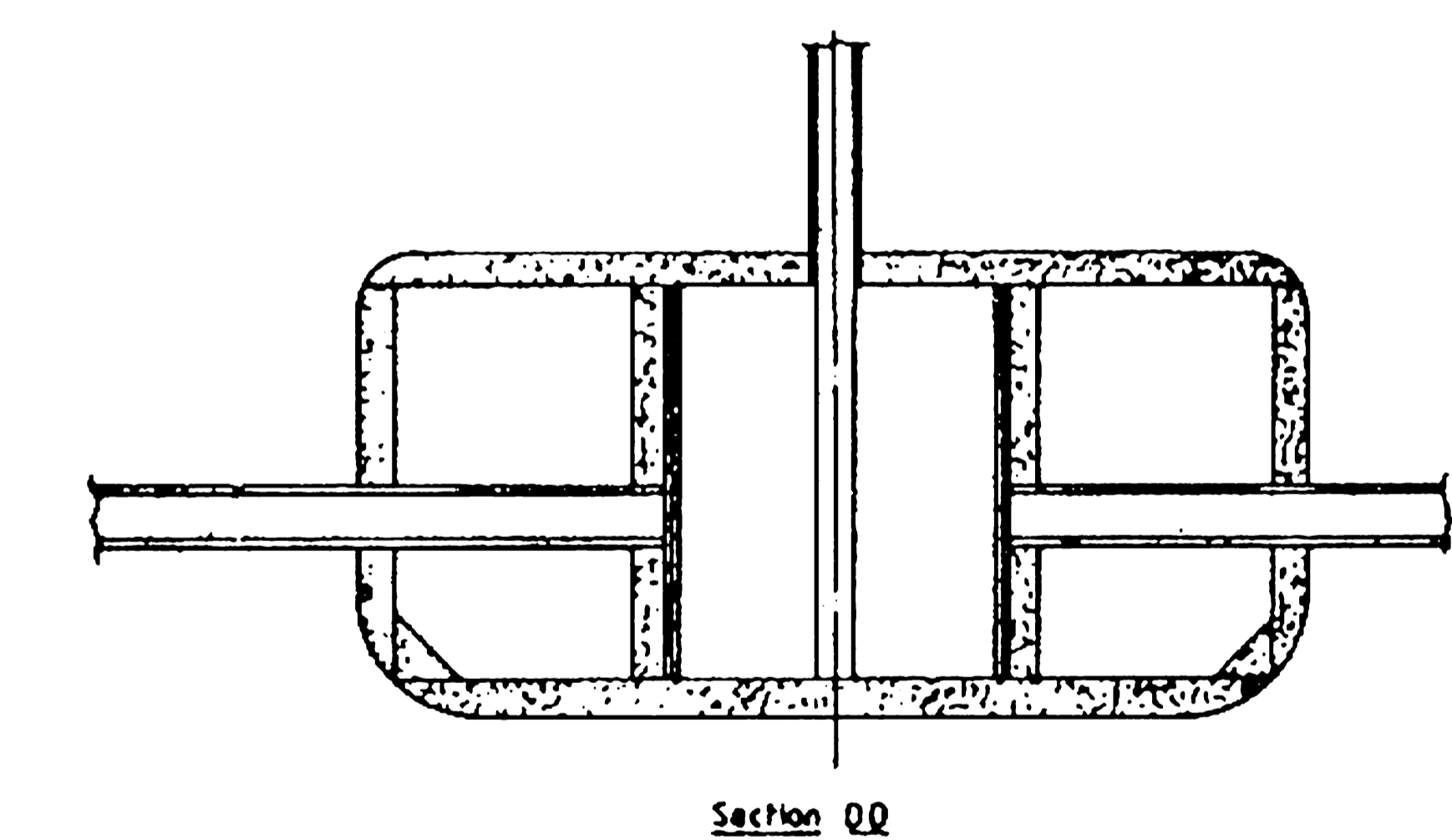
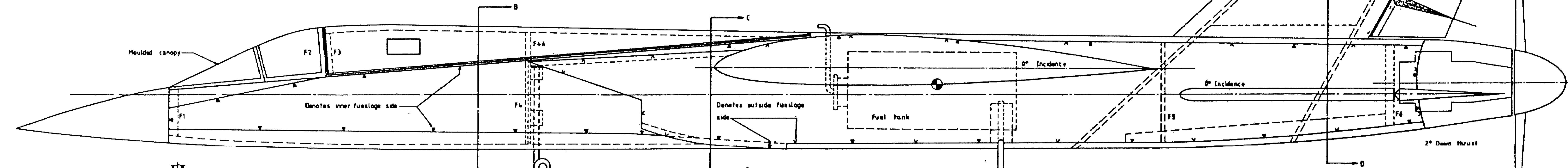
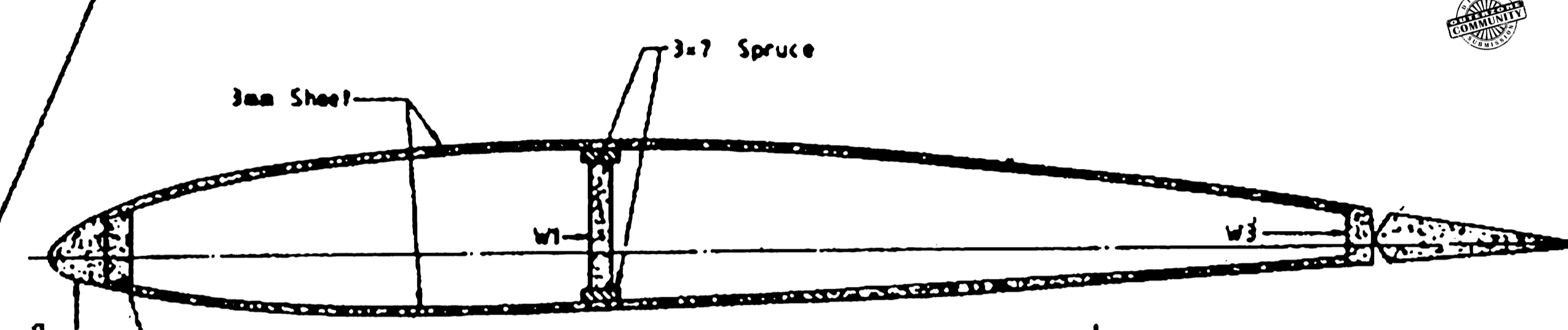


Fin
Frame work 5mm thick balsa
Sheet 3mm thick balsa



Radio Control **Model World** WORLD WIDE PLAN SERVICE

A5A VIGILANTE
640 Pusher engine
Designed by Pavel Bouda
Radio Control Model World