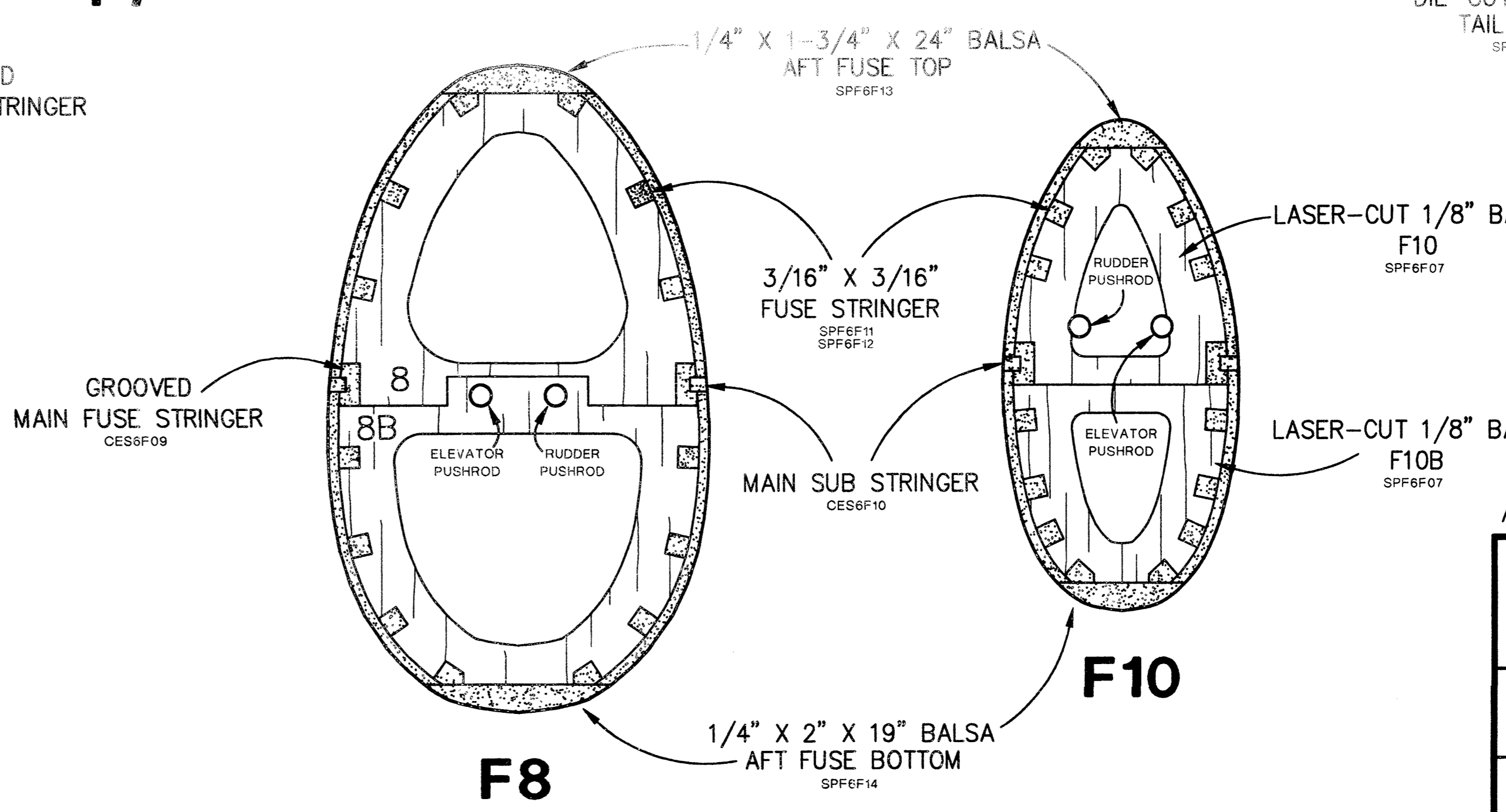
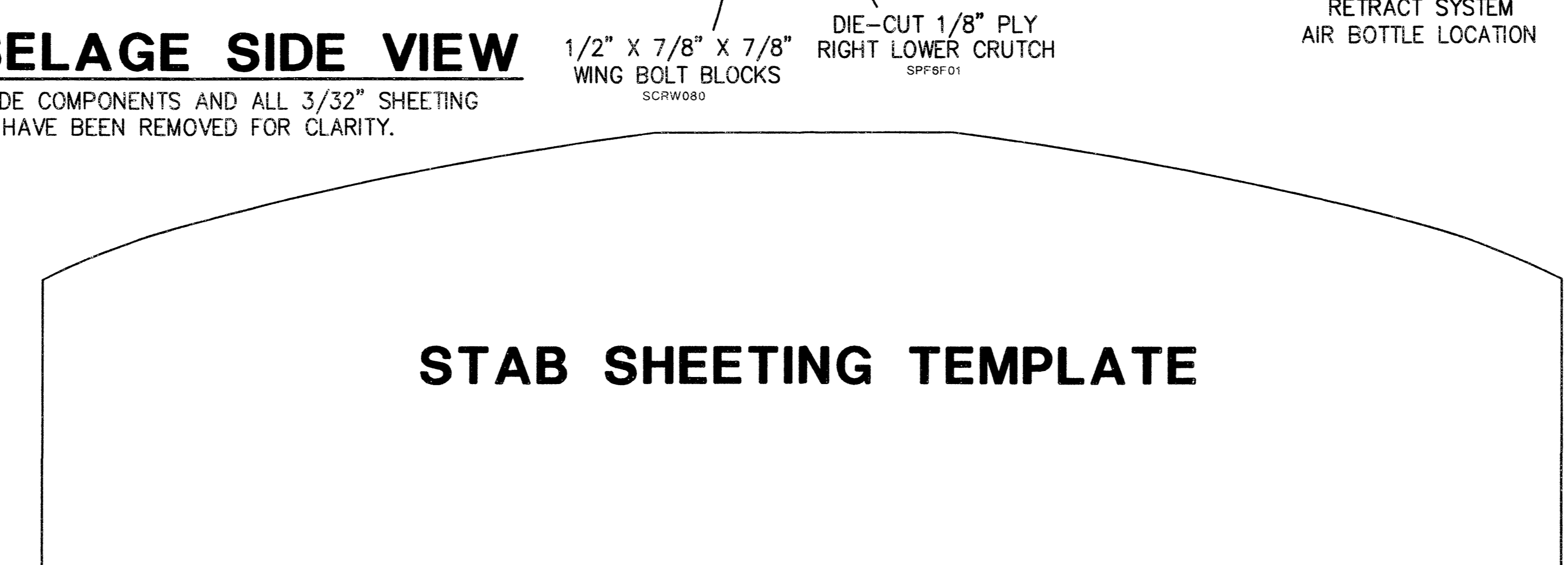
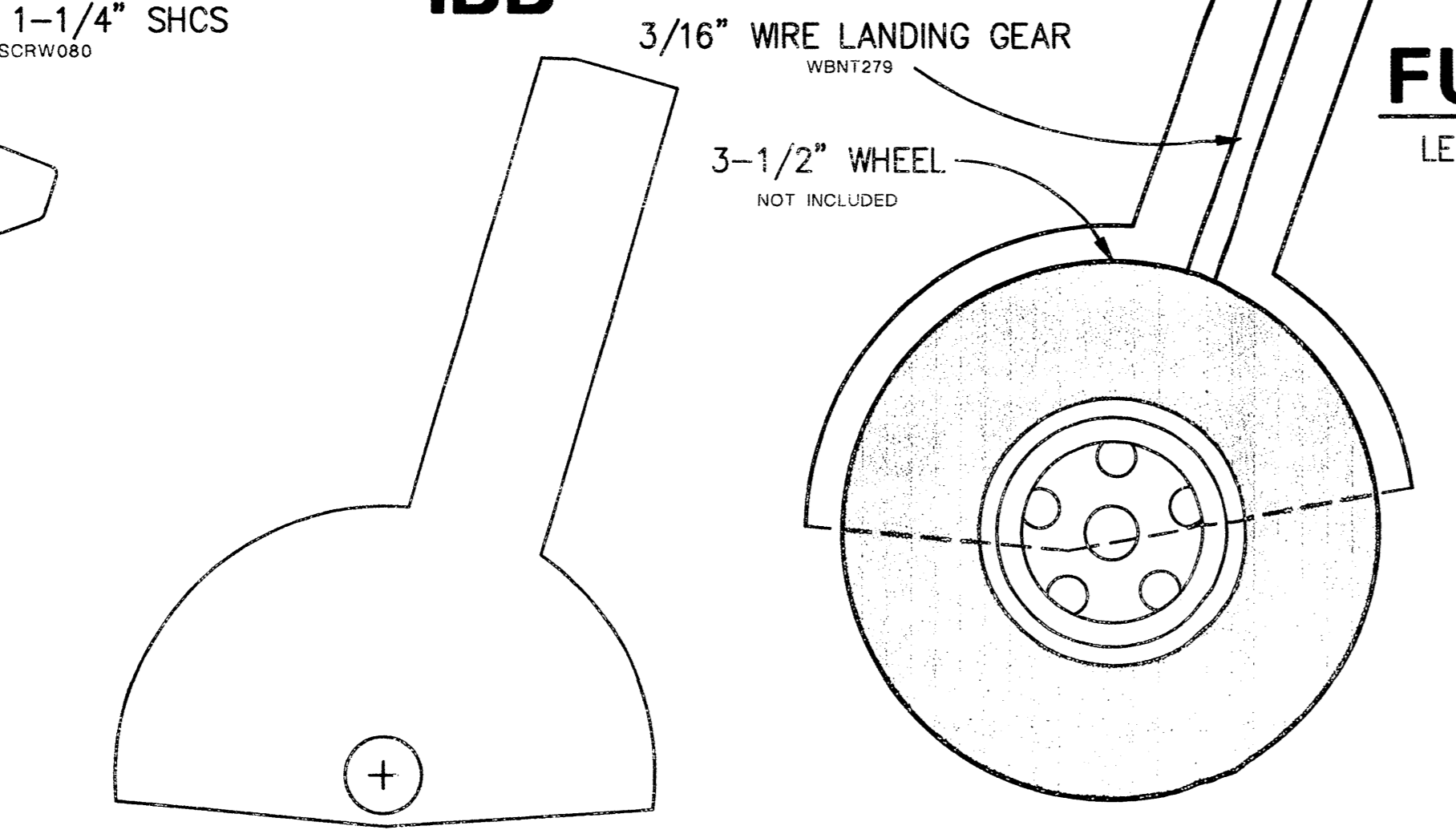
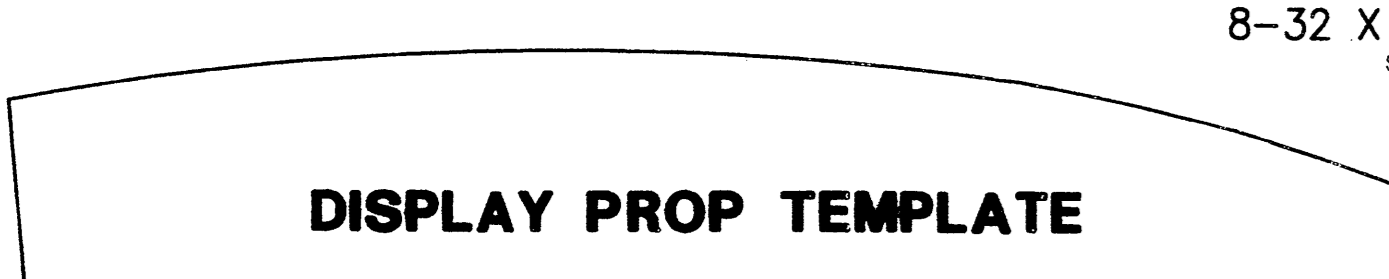
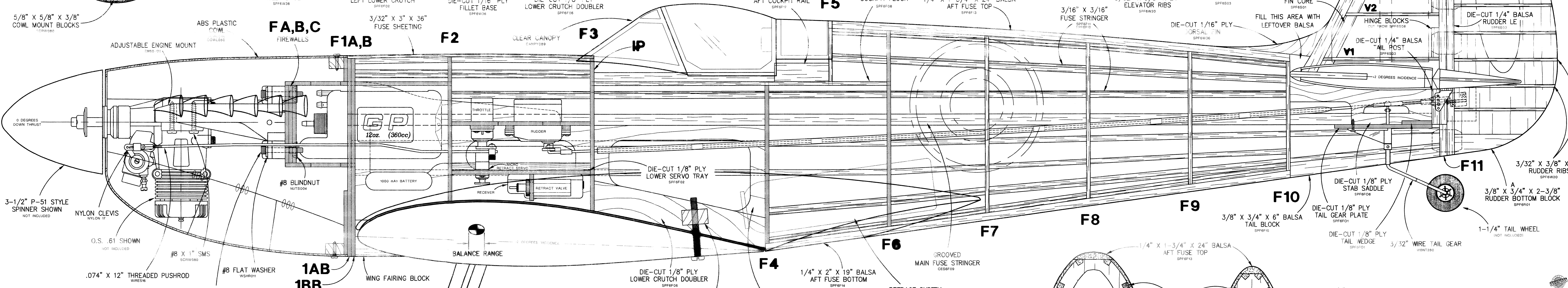
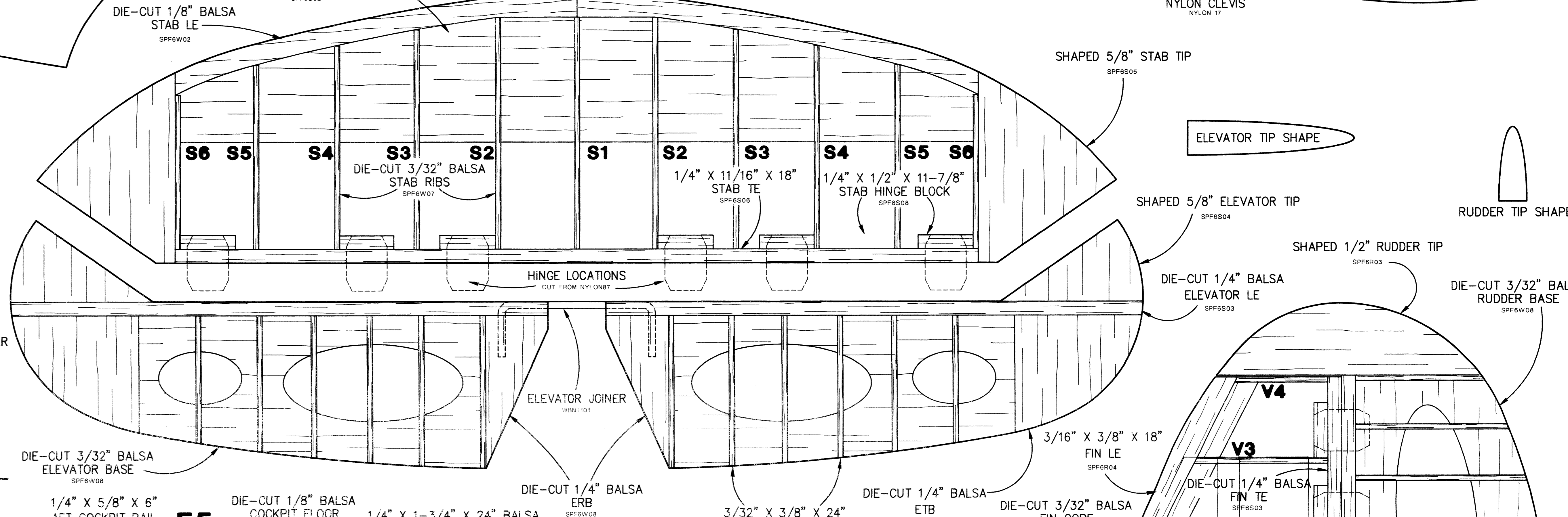
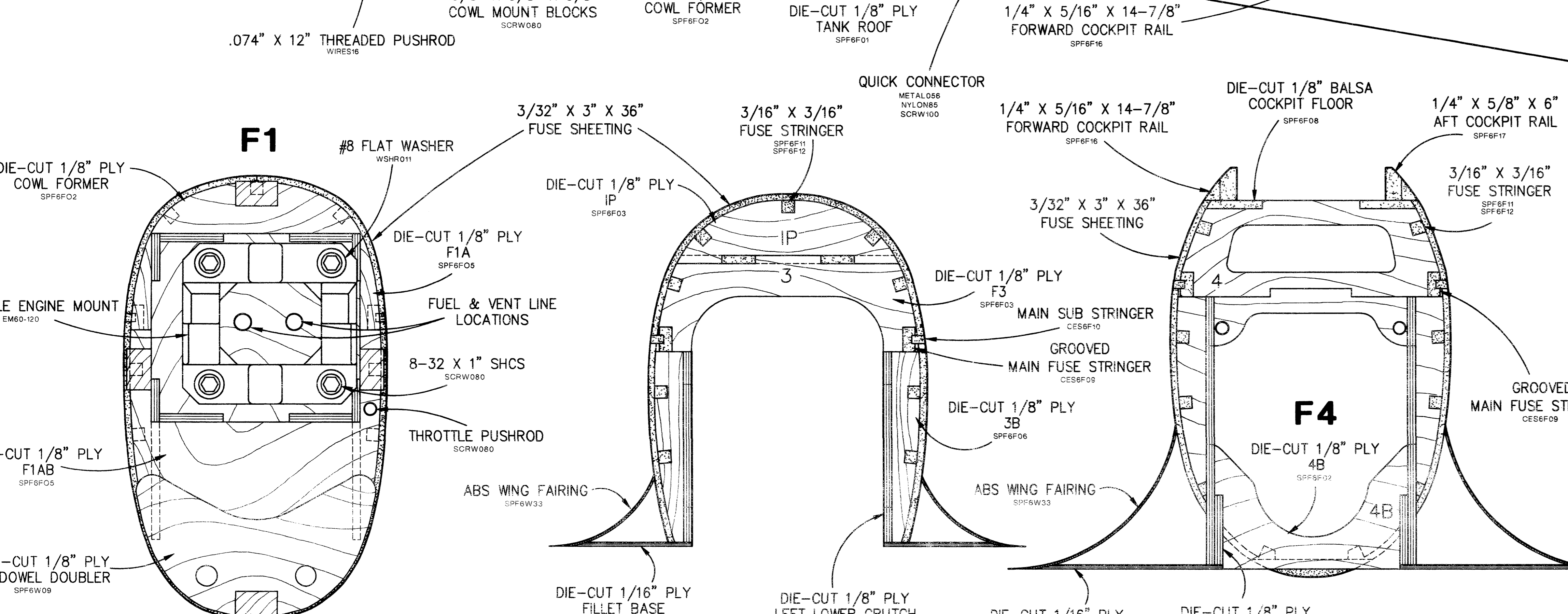
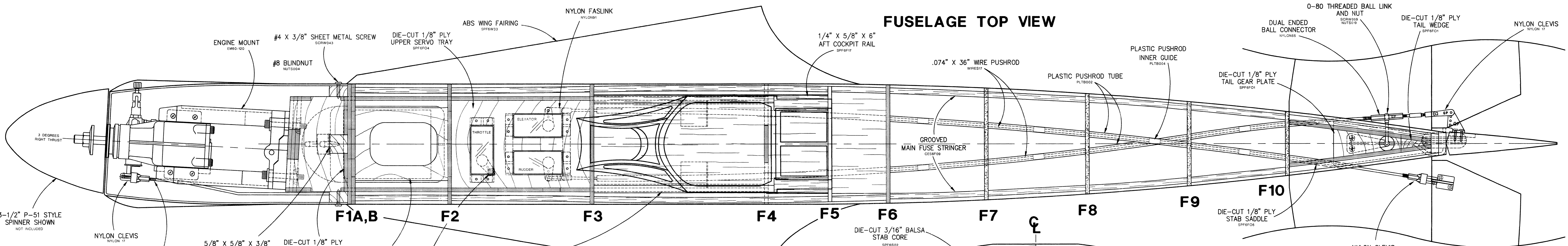


FUSELAGE TOP VIEW



ALL COMMERCIAL RIGHTS RESERVED FUSE PLAN No. SPF6P02

SPITFIRE Mk. IX

DESIGNED AND DRAWN BY: Craig A. Golema
INSTRUCTIONS BY: Tim Lampe

TOP FLITE MODELS

© 1997 PO BOX 721 URBANA, IL 61801



